

## MR16-500L

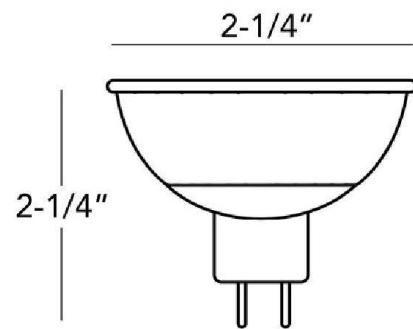
12V

## TECHNICAL SPECIFICATIONS:

- :: Voltage: 12 Volts AC or DC
- :: Wattage: 7W
- :: Heat sink: die-cast aluminum with heat dissipation fins for superior thermal management
- :: Replaces 65W halogen
- :: Beam spread: 38°
- :: Base: GU5.3
- :: CRI: 80
- :: Color temperature: cool white (CW = 5000K), warm white (WW = 3000K)
- :: Rated life: 30,000 hours
- :: Dimmable with magnetic ballast only
- :: Operates on both electronic or magnetic transformers
- :: Ideal for restaurants, retail stores, showrooms and residential applications. Especially suited for areas where accessing the fixture is costly.

## FEATURES:

- :: Compact design same size as halogen MR16 lamps
- :: Emits no UV/IR light
- :: 3-year warranty



## LED MR16 LAMPS

CATALOG NO.	WATTS	COLOR TEMP	LUMENS	BEAM
MR16-500L-30K-D	7W	3000K	500LM	36°
MR16-500L-50K-D	7W	5000K	560LM	36°

