

# LTW

A12



### TECHNICAL SPECIFICATIONS:

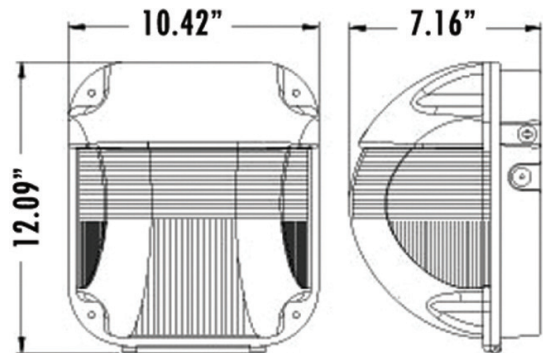
- :: Die-cast aluminum with powder coat finish (Dark Bronze), optimized for LED
- :: Polycarbonate front housing and prismatic lens provide vandal resistance
- :: Four 1/2" HUBS: 1 top, 1 on each side, 1 rear
- :: Chip: Lumileds LEDs
- :: CRI: >70
- :: Power Factor: 95%
- :: Operating Temp: -4°F to 104°F
- :: 70,000 hour rated life
- :: 7-year warranty
- :: Suitable for Wet Locations, IP54

### APPLICATIONS:

- :: Ideal for general site lighting, alleys, loading docks, doorway, pathway and parking areas.
- :: Replace existing HID flood lights/ wall packs
- :: Great for use with photocell



OPTIONS
PHOTOCELL
MOTION SENSOR
BATTERY BACKUP
FIXTURE COLOR



## LED SEMI-CUTOFF VANDAL-PROOF WALL PACKS

CATALOG NO.	WATTS	LUMENS	COLOR TEMP	REPLACEMENT RANGE
LTW-50CW	50W	4400LM	5000K	150~250 MH
LTW-50WW	50W	4400LM	3000K	150~250 MH