

LR2



LR2-50CW-P



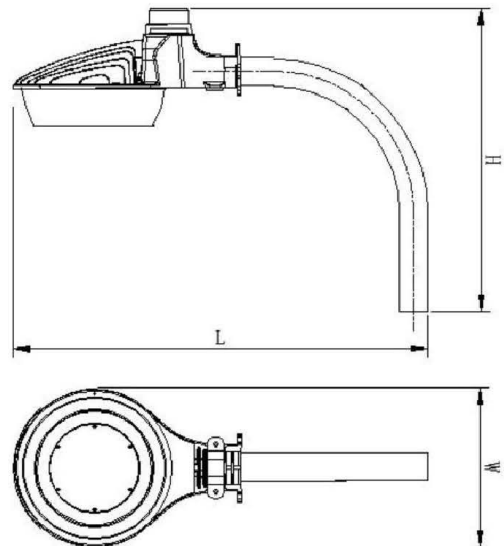
LR2-80CW-P
LR2-120CW-P

TECHNICAL SPECIFICATIONS:

- :: Die-cast aluminum with powder coat finish (Dark Bronze)
- :: Polycarbonate lens
- :: Driver located in isolated compartment for improved thermal management
- :: Twist lock, UL listed dusk-to-dawn photocell
- :: CRI: >80
- :: 70,000 hour rated life
- :: 7-year warranty
- :: Suitable for Wet Locations, IP65



DIMMING
0-10V
Except 50W



A28

LED YARD AND ROADWAY LIGHTS

LED YARD/ROADWAY LIGHTS WITH NEMA TWIST-LOCK PHOTOCELL

CATALOG NO.	WATTS	LUMENS	COLOR TEMP	BEAM ANGLE	REPLACEMENT RANGE	DIMENSIONS
LR2-50CW-P	50W	5050LM	5000K	103°	100-175 MH	24"(L) x 9.5"(W) x 21 1/4"(H)
LR2-80CW-P	80W	9500LM	5000K	90°	250-300 MH	24"(L) x 11"(W) x 21 1/4"(H)
LR2-120CW-P	120W	14000LM	5000K	90°	320-400 MH	24"(L) x 11"(W) x 21 1/4"(H)

