

# LF4-KN

A17

LF4 SERIES



LF4-12W-KN

LF4-30W-KN



BACK VIEW

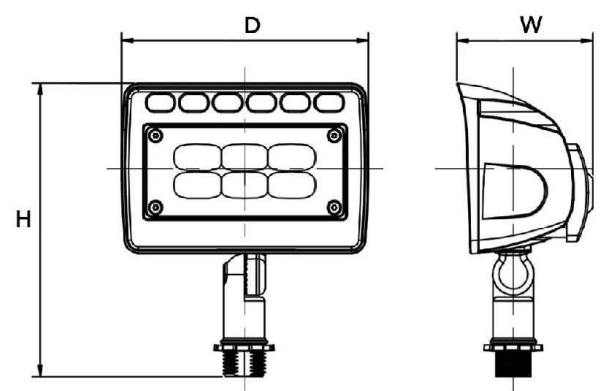
LF4-50W-KN

### TECHNICAL SPECIFICATIONS:

- :: Housing: Die-cast aluminum housing with powder coat finish (Dark Bronze)
- :: Voltage: 120~277V; 60Hz AC
- :: 0~10V dimming (except 80W)
- :: TIR optic lens - TYPE II
- :: 13" #18 AWG stranded wires
- :: Power Factor: .9~.97
- :: Operating Temp: -4°F to 104°F
- :: Up to 110 lumens per watt
- :: CRI: 82~84
- :: 70,000 hour rated life
- :: Suitable for Wet Locations, IP65

### APPLICATIONS:

- :: Ideal for general site lighting, alleys, loading docks, doorway, pathway and parking areas.
- :: Great for use with motion sensors or other instant on/off controls



## LF4 ARCHITECTURAL SERIES WITH 1/2" ADJUSTABLE KNUCKLE (120V-277V)

CATALOG NO.	WATTS	LUMENS	COLOR TEMP	REPLACEMENT RANGE	DIMENSIONS
LF4-12CW-KN	12W	1300LM	5000K	50~70 MH	5.6"(H) x 4.7"(W) x 2.5"(D)
LF4-12WW-KN	12W	1200LM	3000K	50~70 MH	
LF4-30CW-KN	30W	3300LM	5000K	70~100 MH	4.7"(H) x 6.8"(W) x 3.07"(D)
LF4-30WW-KN	30W	3100LM	3000K	70~100 MH	
LF4-50CW-KN	50W	5600LM	5000K	100~175 MH	9.4"(H) x 8.6"(W) x 3.54"(D)
LF4-50WW-KN	50W	5400LM	3000K	100~175 MH	

