

LF3-SF



TECHNICAL SPECIFICATIONS:

- :: Housing: Die-cast aluminum housing with powder coat finish (Dark Bronze)
- :: Installed slip fitter for mounting on mounting tubes (tenon) of max 2-3/4" O.D.
- :: Voltage: 120~277V; 60Hz AC
- :: 0~10V dimming (except 80W)
- :: Type II lens (TYPE III & IV by request)
- :: 13" #18 AWG stranded wires
- :: Power Factor: .9~.97
- :: Operating Temp: -4°F to 104°F
- :: Up to 110 lumens per watt
- :: CRI: 82~84
- :: Beam Angle: 104°
- :: 70,000 hour rated life
- :: 7-year warranty
- :: Suitable for Wet Locations, IP65
- :: 1/2" HUB for photocell or sensor installation

APPLICATIONS:

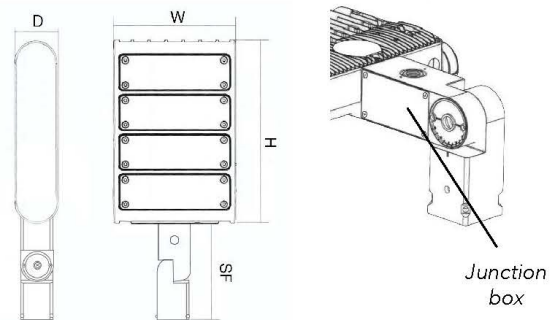
- :: Ideal for general site lighting, alleys, loading docks, doorway, pathway and parking areas.
- :: Replace existing HID flood lights/ wall packs
- :: Great for use with motion sensors or other instant on/off controls



4" square pole adaptor with 2-3/8" tenon (see accessories) page



Slip fitter adjust 90° above and below center. Fits on up to 2-3/4" O.D. tenons.



LF3 FLOOD LIGHT SERIES WITH SLIP FITTER

CATALOG NO.	WATTS	LUMENS	COLOR TEMP	REPLACEMENT RANGE	DIMENSIONS
LF3-220CW-SF	220W	25000LM	5000K	350~400 MH	12-1/2"(W) x 17"(H) x 2-3/4"(D) x 12-1/4"(SF)
LF3-220WW-SF	220W	22000LM	3000K	350~400 MH	
LF3-300CW-SF	300W	33000LM	5000K	1000 MH	
LF3-300WW-SF	300W	30800LM	3000K	1000 MH	

