

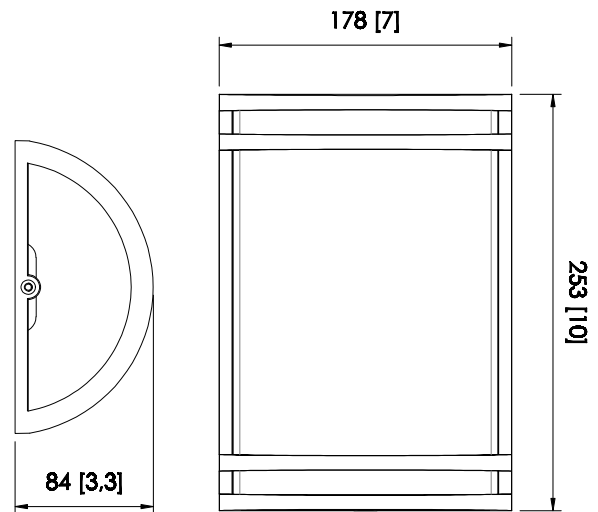
LDS

A1



TECHNICAL SPECIFICATIONS:

- :: Outdoor Decorative Sconce
- :: Housing: Steel Base with Die-cast Rings
- :: Dimming
- :: Input voltage: 120V, 60Hz
- :: CRI: >80
- :: 50,000 hour rated life
- :: Suitable for Wet Locations
- :: 7-year warranty



LED DECORATIVE WALL SCONCE

CATALOG NO.	WATTS	LUMENS	COLOR TEMP	DIMENSIONS
LDS-12W-30K-D	12W	1200LM	3000K	10" x 7" x 3.3"
LDS-12W-40K-D	12W	1200LM	4000K	