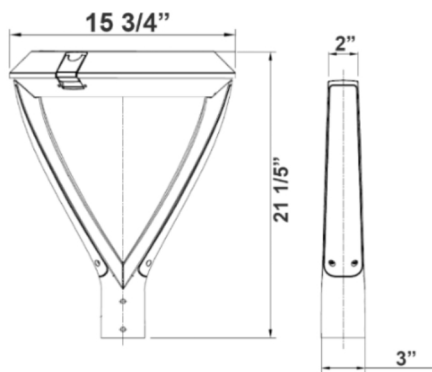


Post Disk Light with Twin Arm



POLE IS NOT INCLUDED



15 3/4"(W) x 21 1/5"(H) x 3"(D)

Wattage

18W / 30W / 45W / 60W

Voltage Input

100-277V AC 50/60z

Efficacy

150 LM/W

Dimming

0-10V Dimming

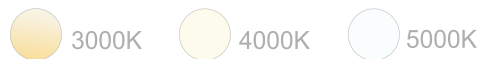
Finish

Die-cast Aluminum Housing with Powder Coat Finish

Beam Angles



Color Temperatures



Features



Factory-Installed Options

Catalog No.	Fig.
GPX-18-60W-MCTP-A2	A

Watts	EM Options	Description	Photocell	Description	Paint	Sensor	Description
GPX	OPT-EM-0D2INT	INTERNAL	OPT-3MPC	ELECTRONIC	OPT-CLR-95(BK/GR/SR/WH)	OPT-SEN-3MR-3	PROGRAMMABLE MICROWAVE (BI-LEVEL)
						WEC-8RC	REMOTE CONTROL