

CL-HB

B29

LED Highbay Retrofit Lamp

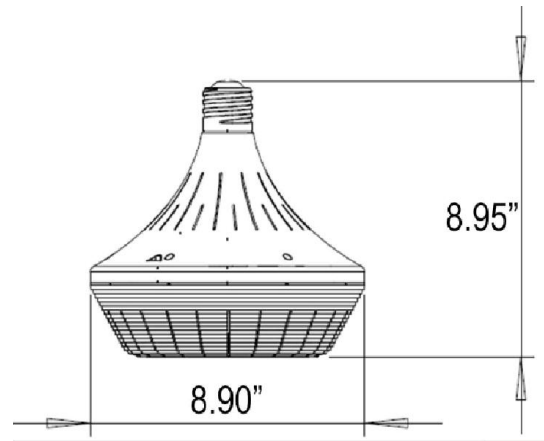


TECHNICAL SPECIFICATIONS:

- :: Input voltage: 120~277V AC
- :: CCT: 3000K and 5000K
- :: CRI: 84
- :: Lamp base: EX39 mogul base
- :: Chip: Samsung LED chips with Rubycon driver
- :: Beam: 180°
- :: Operating Temp: 4°F~149°F

APPLICATIONS:

- :: Ideal for retrofiting existing HID highbays



LED Highbay Retrofit Lamp

CATALOG NO.	WATTS	BASE	LUMENS	COLOR TEMP	REPLACEMENT RANGE	DIMENSIONS
CL-150W-50K-HB-EX39	150W	E39	21000LM	5000K	400 MH	8.95" (L) x 8.90" (Dia)

