



Penray 01 Cloud

Installation Manual

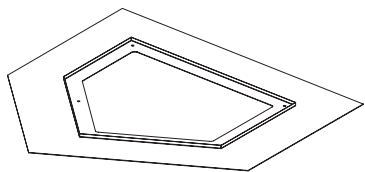


reddot winner 2020

V/COUSTIC

I Material Needed

Included



Cloud x1



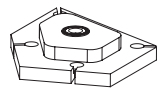
Steel Wire Rope x4



Wire Rope Grip x4

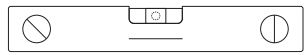


Screw x4

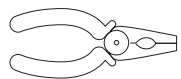


Wooden Base x1

Not included



Level

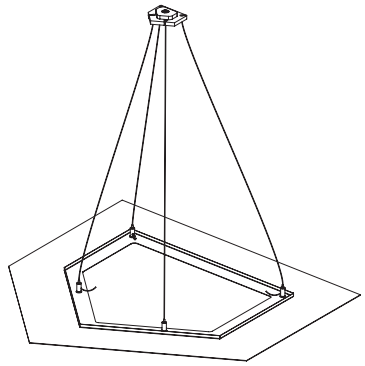
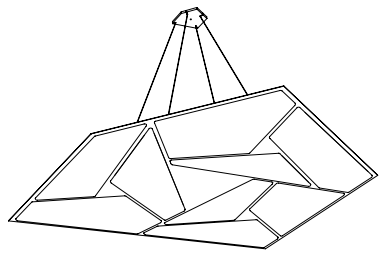


Cutting Pliers

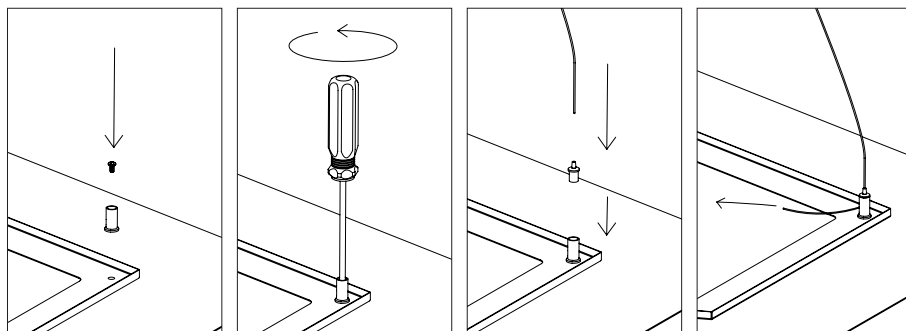


PZ 3x40 Screw

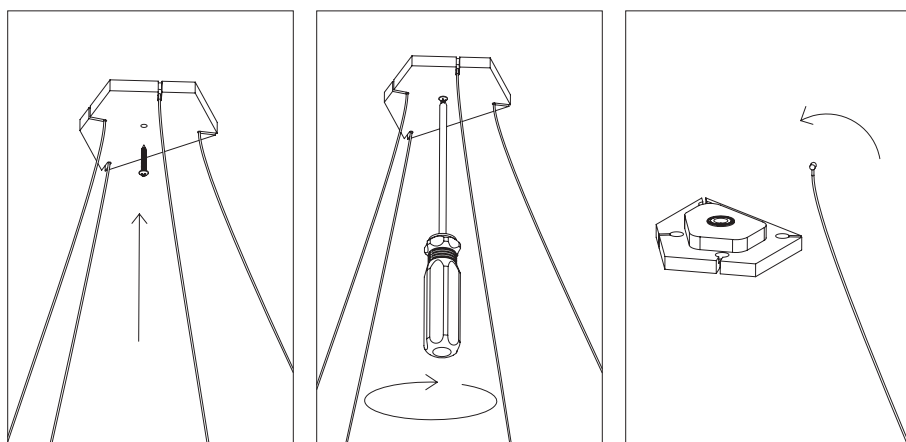
I GEN Penray 01 Cloud Preview



1_



2_ Insert the cables in the holes and then screw the wooden base to the ceiling using a screwdriver (not included). In alternative, use the magnetic fixation. Fine tune the length of the steel cables to level the ViCloud.



Main Office, R&D & Logistics

Avenida do Pólo 3, Nº 159, Carvalhosa
4590-137 Paços de Ferreira, Portugal

Office

Rua Quinta do Bom Retiro Nº 16, Armazém 9
2820-690 Charneca da Caparica, Portugal
T (+351) 212 964 100

Info and Sales

E sales@vicoustic.com

www.vicoustic.com

© Vicoustic, 2020 | V1

No parts of this document might be copied and/or published without written consent of Vicoustic.

V/COUSTIC
INNOVATIVE ACOUSTIC SOLUTIONS