

CHEMICAL FEED PUMPS

45 Pump Series Single Head Adjustable Rate

How it Works

Stenner's adjustable metering pump is built with three detachable components: the motor, feed rate control and pump head. Outputs are dependent upon three factors: the rpm of the motor gears, the percentage setting on the feed rate control and the size of the peristaltic pump tube. All Stenner metering pumps have a 3-point roller design in the pump head, which acts as a check valve to prevent back flow, siphoning, overdosing and loss of prime.

The motor shaft rotates at a fixed rpm which drives the adjustable feed rate control to intermittently engage the roller assembly within the pump head. The chemical solution in the pump tube is captured between the rollers as they rotate and compress the tube. As the rollers advance, the squeezed tube section regains its original form and generates a vacuum, creating the self-priming feature that delivers a constant flow unaffected by the outlet pressure.

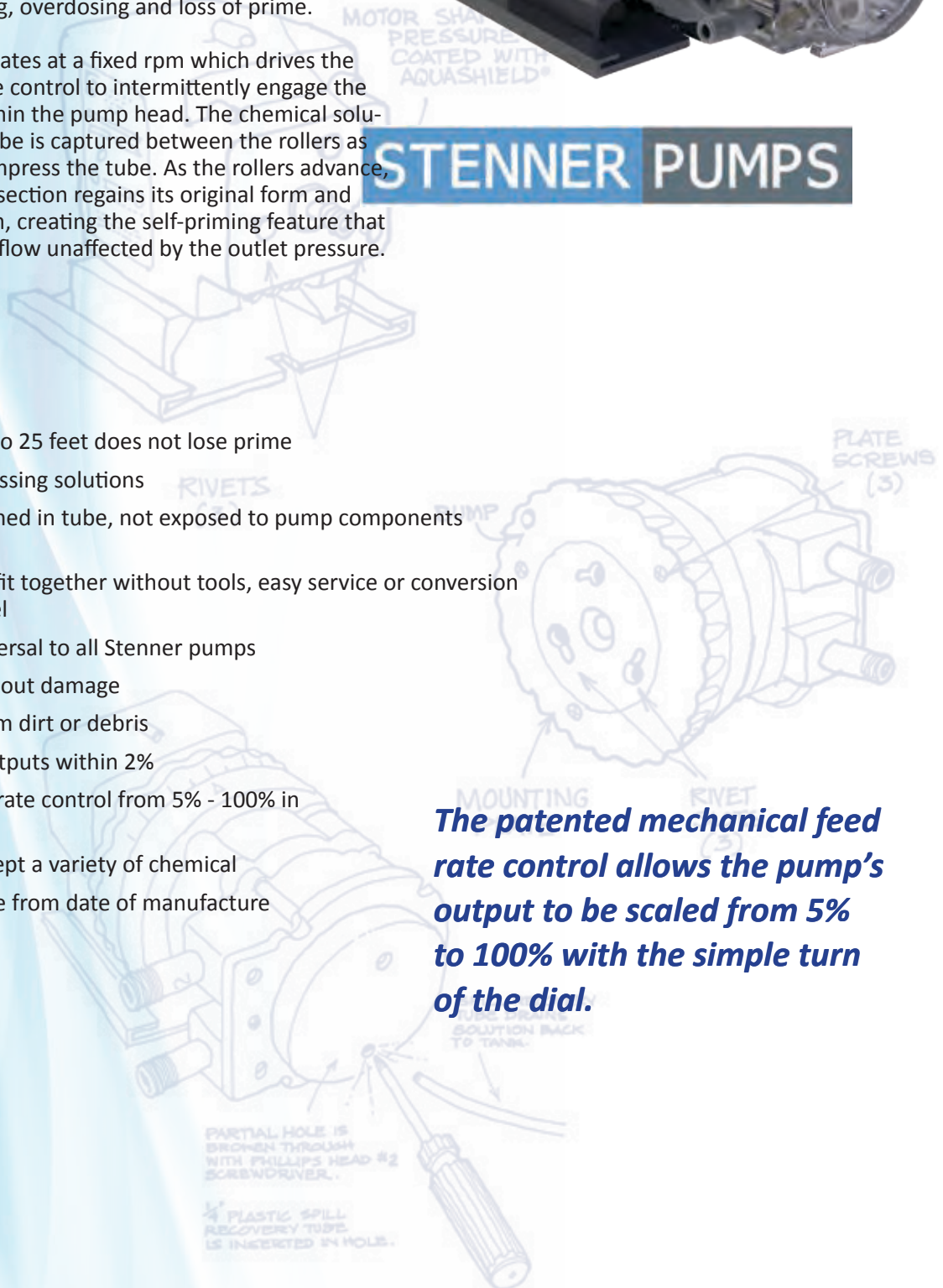


STENNER PUMPS

Advantages:

- Self-priming up to 25 feet does not lose prime
- Can pump off-gassing solutions
- Solutions contained in tube, not exposed to pump components or air
- Sub-assemblies fit together without tools, easy service or conversion to another model
- Pump head universal to all Stenner pumps
- Can run dry without damage
- Will not clog from dirt or debris
- Reproducible outputs within 2%
- Adjustable feed rate control from 5% - 100% in 2.5% increments
- Pump tubes accept a variety of chemical
- 1 Year Guarantee from date of manufacture

The patented mechanical feed rate control allows the pump's output to be scaled from 5% to 100% with the simple turn of the dial.



CHEMICAL FEED PUMPS

45MHP2

100 psi (6.9 bar)
max 3 gpd (11 lpd)

Outputs @ 60Hz

Gallons per day: 0.2 to 3.0
Gallons per hour: 0.01 to 0.13
Liters per day: 0.8 to 11.4
Liters per hour: 0.03 to 0.48
Ounces per minute: 0.02 to 0.27
Milliliter per minute: 0.56 to 7.92

Outputs @ 50Hz

Liters per day: 0.6 to 9.1
Liters per hour: 0.03 to 0.38
Milliliters per minute: 0.31 to 6.32

Maximum Operating Temperature

12° F (52° C)

Amp Draw

1.7 120V; 0.9 220V, 230V, 250V

Dimensions (l x w x h)

10.6 x 5.3 x 6.0 in
(26.9 x 13.4 x 15.2 cm)

Shipping Weight

9 lbs (4 kg)

45MHP10

100 psi (6.9 bar)
10 max gpd (38 lpd)

Outputs @ 60Hz

Gallons per day: 0.5 to 10.0
Gallons per hour: 0.02 to 0.42
Liters per day: 1.9 to 37.9
Liters per hour: 0.08 to 1.58
Ounces per minute: 0.04 to 0.89
Milliliter per minute: 1.32 to 26.32

Outputs @ 50Hz

Liters per day: 1.5 to 30.3
Liters per hour: 0.06 to 1.26
Milliliters per minute: 1.04 to 21.04

Discharge Pressure

26-100 psi (1.7-6.9 bar)

Voltage

120V 60Hz; 220V 60Hz
230V 50Hz; 250V 50Hz International

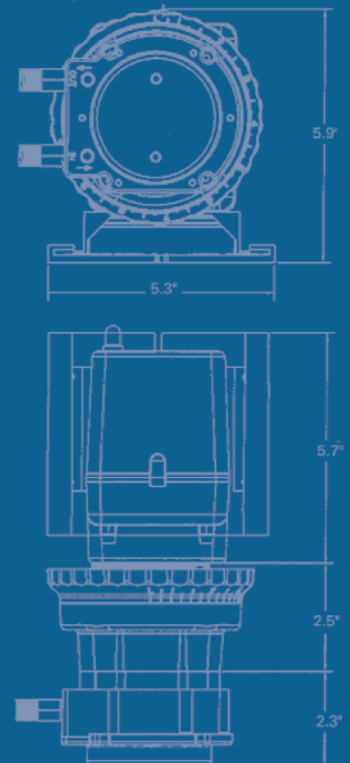
Motor

shaded pole; 26 rpm; 1/30 HP

Suction Lift

25' (7.6 m)

STENNER PUMPS



Item #		Model	Tube	Feed Rate Setting: Outputs per day in US Gallons @ 60Hz										
CDN #	US #			L	1	2	3	4	5	6	7	8	9	10
11873	11873	45MHP2	#1	0.2	0.3	0.6	0.9	1.2	1.5	1.8	2.1	2.4	2.7	3
11874	11810													
11876	11809	45MHP10	#2	0.5	1	2	3	4	5	6	7	8	9	10
11879	11808													

Item #	Description
11873	45MHP2-110v, ¼" tubing
11874	45MHP2-220v, ¼" tubing
11876	45MHP10-110v, ¼" tubing
11879	45MHP10-220v, ¼" tubing

CHEMICAL FEED PUMPS

85 Pump Series Single Head Adjustable Rate

How it Works

Stenner's fixed output metering pump is built with two detachable components: the motor and pump head. Outputs are dependent upon the rpm of the motor gears and the size of the peristaltic pump tube.

The fixed rate pump has no output adjustment. All Stenner metering pumps have a 3-point roller design in the pump head, which acts as a check valve to prevent back flow, siphoning, overdosing and loss of prime.

The motor's output shaft rotates at a fixed rpm which drives the roller assembly within the pump head. The chemical solution in the pump tube is captured between the rollers as they rotate and compress the tube. As the rollers advance, the squeezed tube section regains its original form and generates a vacuum, creating the self-priming feature that delivers a constant flow unaffected by the outlet pressure.



STENNER PUMPS

Advantages:

- ➔ Self-priming up to 25 feet and does not lose prime
- ➔ Can pump off-gassing solutions
- ➔ Solutions contained in tube, not exposed to pump components or air
- ➔ Subassemblies fit together without tools; easy service or conversion to another model
- ➔ Pump head universal to all Stenner pumps
- ➔ Can run dry without damage
- ➔ Will not clog from dirt or debris
- ➔ Reproducible outputs within 2%
- ➔ Adjustable feed rate control from 5%-100% in 2.5% increments
- ➔ Pump tubes accept a variety of chemicals

Outputs @ 60Hz

Gallons per day: 0.8 to 17.0
 Gallons per hour: 0.03 to 0.71
 Liters per day: 3.0 to 64.4
 Liters per hour: 0.13 to 2.68
 Ounces per minute: 0.07 to 1.51
 Milliliter per minute: 2.08 to 44.65

Outputs @ 50Hz

Liters per day: 2.4 to 51.5
 Liters per hour: 0.10 to 2.15
 Milliliters per minute: 1.67 to 35.76

Discharge Pressure

26-100 psi (1.7-6.9 bar)

Voltage

Voltage 120V 60Hz; 220V 60Hz/230V 50Hz; 250V 50Hz International

Motor

shaded pole; 44 rpm;
 1/30 HP

Suction Lift

25' (7.6 m)

Maximum Operating Temperature

125° F (52° C)

Amp Draw

1.7 120V; 0.9 220V, 230V, 250V

Dimensions (l x w x h)

10.6 x 5.3 x 6.0 in
 (26.9 x 13.4 x 15.2 cm)

Shipping Weight

9 lbs (4 kg)

Item #		Model	Tube	Feed Rate Setting: Outputs per day in US Gallons @ 60Hz										
CDN #	US #			L	1	2	3	4	5	6	7	8	9	10
11880	11852	85MHP5	#1	0.3	0.5	1.0	1.5	2.0	2.5	3.0	3.5	4.0	4.5	5.0
11872	11853													

Item #	Description
11880	STENNER-PUMP-85MHP5-110
11872	STENNER-PUMP-85MHP5-220

CHEMICAL FEED PUMPS

Materials of Construction

All Housings: Lexan® polycarbonate plastic
Pump tube & check valve duckbill: Santoprene® FDA approved

Pump tube: Tygothane® FDA approved
Checkvalve duckbill (w/Tygothane tube): Pellathane®
Suction/discharge tubing & ferrules (1/4" & 6 mm):
LDPE polyethylene,
NSF/FDA approved

Tube fittings, connecting nuts, check valve fitting,
weighted strainer: Type 1 Rigid PVC-NSF listed

All fasteners: Stainless Steel

Lexan® is a registered trademark of General Electric.
Santoprene® is a registered trademark of Advanced
Elastomer system

Tygothane® is a registered trademark of Saint-Gobain
Performance Plastics

Pellathane® is a registered trademark of The Dow
Company

Agency listings

Santoprene®: UL, CSA, CE, NSF-50, NSF-61

Tygothane®: UL, CSA, CE

Accessories shipped with each pump

- 3 connecting nuts 1/4" or 3/8"
- 3 ferrules 1/4" & 6 mm or 2 ferrules 3/8"
- 1 injection check valve
- 1 weighted strainer
- 1 20' roll of suction/discharge tubing 1/4" or 3/8" white or UV black or 6 mm (Europe) white
- 1 spare pump tube
- 1 mounting bracket
- 1 installation manual

STENNER PUMPS



FLOW SWITCH (LOW FLOW RATE – SPDT)

Description:

For use on liquid lines using water, ethylene glycol solutions, or other liquids not corrosive to the brass or phosphor bronze parts. The SPDT contact switch is activated by a low flow rate; however, it has a large flow capacity with a minimum pressure drop.

Applications:

- ➔ Water purification and treatment systems
- ➔ Booster pumps
- ➔ Fast shutdown on high input boilers to guard against circulation failure
- ➔ Cooling systems for electronic tubes, bearings, and compressors

F61KD-4



Item #	Description	Inlet and Outlet Size Female NPT	Enclosure NEMA Type	Adjustment Range - GPM (L/Min)		Maximum Liquid Temp	Minimum Liquid Temp	Maximum Liquid Pressure
				R to Y Closes Flow Increase	R to Y Opens Flow Decrease			
85251	F61KD-4C Flow Switch (Low Flow Rate - SPDT)	3/4" x 3/4" (19mm x 19mm)	1	Min 0.6 (2.27) Max 1.1 (4.17)	Min 0.3 (1.14) Max 0.9 (3.4)	250°F (121°C)	32°F (0°C)	150 psig (1034 kPa)

PULSAFEEDER KOPKIT



Item #	Description
32881	K3VTC1 - KOP KIT
32880	K4VTC1 - KOP KIT

Dimensions	
5 1/32" h x 4" w x 2 13/16" d	
(127mm x 102mm x 71mm)	

Electrical	120 VAC
Horsepower	1
AC Full Load A	16
AC Locked Rotor A	96
Non-Inductive or Resistance Load A	16
Pilot Duty	125 VA, 24/277 VAC

Kopkit®

Available for every model, the KOPkit provides an economically priced package of parts required for routine maintenance. The kit typically contains new valve cartridges with o-rings, head, diaphragm, secondary o-ring seal, head screws and washers.

STENNER PUMP CONTROL MODULE

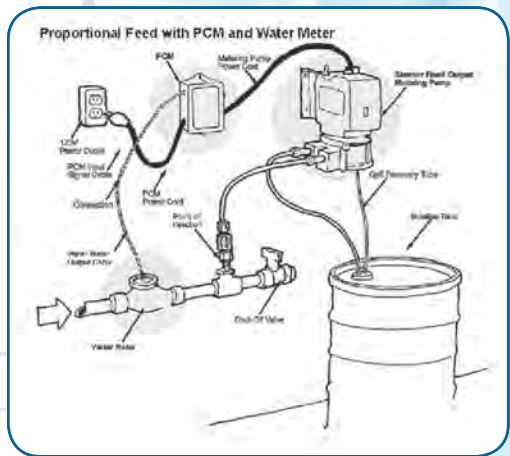
How It Works:

The Pump Control Module (PCM) is a component of the proportional feed system, which delivers repeatable doses regardless of the system's flow rate. The system is used in applications requiring proportional chemical injection.

The proportional feed system, Stenner refers to as the PCM system consists of three components:

- ➔ PCM – pump control module
- ➔ Single head fixed output pump (45 or 85 model)
- ➔ Dry contact water meter

The water meter sends a pulse signal to the PCM which activates the pump to deliver the desired dose based on water volume. The PCM turns on the pump for the set duration determined to inject the solution into the water line.



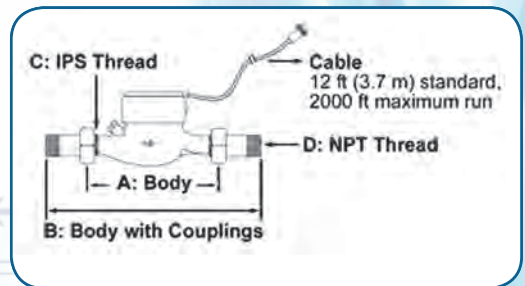
WATER METERS

Features:

- ➔ Reed switch
- ➔ Dry contact
- ➔ Power not required

Material:

- ➔ Body: Cast bronze
- ➔ Internal: Engineered thermoplastic
- ➔ Magnet: Alnico



Size	A Body	B Body w Couplings	C IPS Thread	D NPT Thread
3/4"	7 1/2" (19.1 cm)	12 5/8" (32.1 cm)	1" (2.5 cm)	3/4" (1.9 cm)
1"	10 1/4" (26.0 cm)	15 5/8" (36.7 cm)	1 1/4" (3.2 cm)	1" (2.5 cm)
1 1/2"	11 3/4" (29.9 cm)	17 5/8" (44.8 cm)	2" (5.1 cm)	1 1/2" (3.8 cm)
2"	11 3/4" (29.9 cm)	17 5/8" (44.8 cm)	2 1/2" (6.4 cm)	2" (5.1 cm)

Water Meters		Min Flow	Max Flow	Max Operating Temp	Max Operating Pressure
Part #	Description	(Gallons Per Minute)			
80060050	Meter, Contacting Stenner WM0751G 3/4" 1Gallon/Pulse	0.22	22	105 F (40 C)	150 psi
80060051	Meter, Contacting Stenner WM1001G 1" 1Gallon/Pulse	0.44	52	105 F (40 C)	150 psi
80060052	Meter, Contacting, 1.5" 1.0 GPC, 404(Gal/Contact)	0.88	88	105 F (40 C)	150 psi
80060053	Meter, Contacting, 2.0" 1.0 GPC, 504(Gal/Contact)	1.98	132	105 F (40 C)	150 psi
27339	Timer, Stenner, Pump Control Module 5, 0.5 to 5.0 seconds				