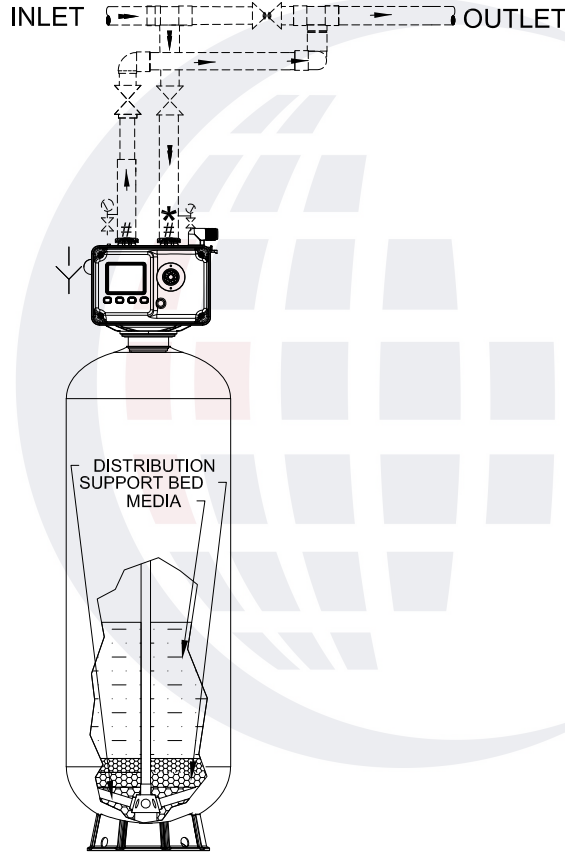


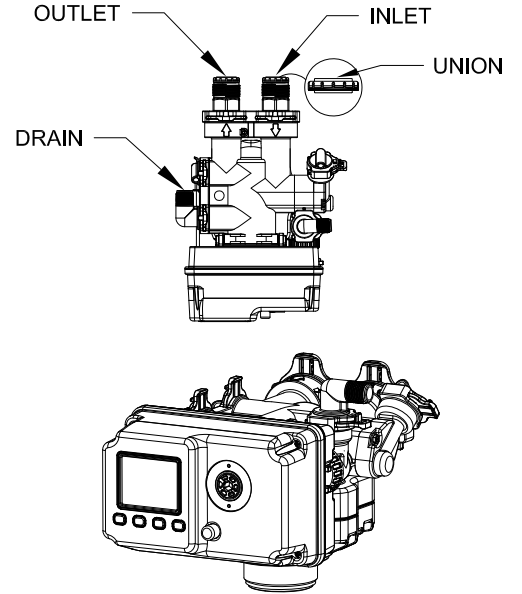


95STS Series Single Model	Typical	RO	Free Chlorine	Max Flow To Drain	Pipe Size		Media	Mineral Tank		Installation			Shipping Weight	Operating Weight	
	Service Flow Rate				Service	Drain		Per Tank	Diameter	Height	Height	Depth			Width
	USGPM	USGPM	USGPM	USGPM	in	in	ft3						in	in	
	l/s	l/s	l/s	l/s	mm	mm	m3	mm	mm	mm	mm	mm	mm	kg	kg
95STS AC14- 1.5"	6	3	11	11	1.5"	1"	2.65	14	66	81	20	20	304	704	
	0.38	0.19	0.69	0.69	38	25	0.08	356	1676	2057	508	508	138	320	
95STS AC16- 1.5"	8	4	14	14	1.5"	1"	3.5	16	66	81	22	22	384	884	
	0.50	0.25	0.88	0.88	38	25	0.10	406	1676	2057	559	559	174	401	
95STS AC18- 1.5"	10	5	18	17	1.5"	1"	4.4	18	68	83	24	24	444	1,044	
	0.63	0.32	1.14	1.07	38	25	0.12	457	1727	2108	610	610	201	474	
95STS AC21- 1.5"	14	7	24	24	1.5"	1"	6	21	68	83	27	27	530	1,330	
	0.88	0.44	1.51	1.51	38	25	0.17	533	1727	2108	686	686	241	604	

Typical service based on 6 usgpm/ft2, RO pretreat based on 2.5 usgpm/ft2 & Free Chlorine removal based on 10 usgpm/ft2



RAW WATER REGENERATION PIPING SHOWN



- LEGEND:**
- ⊗ ISOLATION VALVE
 - ⊗ BYPASS VALVE
 - ⊗ PRESSURE GAUGE & SAMPLE POINT
 - ⊗ OPEN DRAIN
 - * VACUUM BREAKER
 - # FLEX CONNECTOR
 - RAW WATER LINES
 - FILTERED/SOFTENED WATER LINES
 - WATER TO OPEN DRAIN
 - TREATED WATER LINES
 - ELECTRONIC BALL VALVE
 - UNION OR FLANGE

NOTES

- SINGLE FILTER, CALENDAR CLOCK INITIATED
- FILTER IS EQUIPPED WITH 1.5" VALVE ELECTRONIC BALL VALVE
- MAXIMUM RECOMMENDED SYSTEM PRESSURE IS 100 PSI (690 kPa) AND MINIMUM INLET PRESSURE IS 40 PSI.
- MAXIMUM RECOMMENDED SYSTEM TEMPERATURE IS 100 °F (38 °C).
- REQUIRES 120 VOLT, 1 PHASE, 60 Hz ELECTRICAL POWER.
- ALL EXTERNAL PIPING, FITTINGS, AND VALVES SHOWN BY BROKEN LINES ARE SUPPLIED BY OTHERS.
- MINERAL TANKS AND MEDIA ARE NSF APPROVED.
- DUE TO SLIGHT EXPANSION AND CONTRACTION OF MINERAL TANK, PIPING MUST BE DESIGNED TO ALLOW SOME MOVEMENT. AS WELL AS BE PROTECTED FROM VACUUM. FLEX CONNECTORS AND A VACUUM BREAKER MAY BE REQUIRED. FAILURE TO INSTALL EITHER OF THEM OR IMPROPERLY INSTALL THEM MAY VOID THE WARRANTY.
- AVAILABLE IN 1", 1.25", 1.5" PIPING CONNECTION.
- FLOOR DRAINS MUST BE SIZED TO CARRY THE MAX. LISTED FLOW TO DRAIN.
- REFER TO THE INSTALLATION AND OPERATION MANUAL FOR FURTHER DETAILS.
- USE PROPER UNION OR FLANGE FOR THE PIPE CONNECTION TO VALVE FOR EASY MAINTENANCE.
- SYSTEM MUST BE INSTALLED TO COMPLY WITH ALL FEDERAL, STATE, PROVINCIAL, & LOCAL CODES.
- MEDIA BED CONSISTS OF 12 x 40 MESH, NSF APPROVED ACID WASHED COCONUT BASED ACTIVATED CARBON ON A GRADED SUPPORT BED



**95STS ACTIVATED CARBON FILTER
1.5" SINGLE SYSTEM**

THIS DOCUMENT CONTAINS INFORMATION WHICH IS PROPRIETARY TO CANATURE WATERGROUP. THE REPRODUCTION, TRANSFER, OR OTHER EXPLOITATION OF ANY INFORMATION CONTAINED HEREIN IS NOT PERMITTED WITHOUT PRIOR WRITTEN APPROVAL OF CANATURE WATERGROUP. THE MANUFACTURER RESERVES THE RIGHT TO MAKE PRODUCT REVISIONS, WHICH MAY DEVIATE FROM THE SPECIFICATIONS AND DESCRIPTIONS STATED HEREIN WITHOUT OBLIGATION TO CHANGE PREVIOUSLY MANUFACTURED PRODUCTS OR TO NOTE THE CHANGE. NOT DRAWN TO THE SCALE UNLESS OTHERWISE SPECIFIED.

Project:	Date: 02-13-2024	Rev
	Dwg# 95STS AC1.5S	0