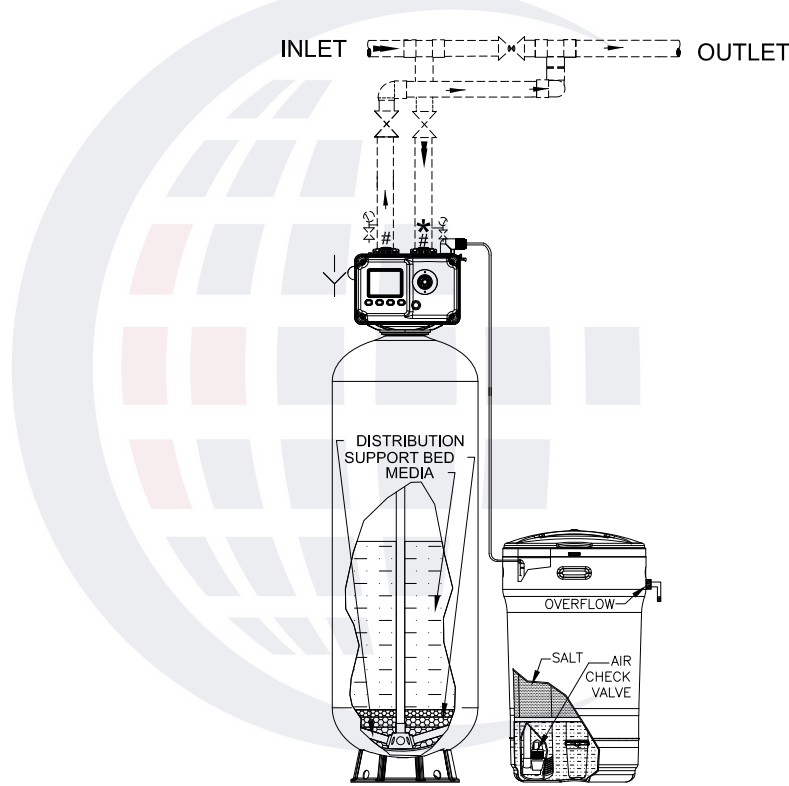


All specifications data are per tank

Model	Capacity		Salt Usage				95 - 1.25"			Dimensions		Installation			Shipping		Operating	
	gpg	Resin	@6 lbs/ft ³		@10 lbs/ft ³	Critical Flow	@ 15 PSI		@ 25 PSI	Max Flow To Drain	Mineral Tank	Brine Tank	Drain Pipe Size	Height	Depth	Width	Shipping Weight	Operating Weight
	@6 lbs/ft ³	ft ³	lbs	lbs	lbs	USGPM	USGPM	USGPM	USGPM	in	in	in	in	in	in	in	lbs	lbs
	@10 lbs/ft ³	m ³	kg	kg	kg	l/s	l/s	l/s	l/s	mm	mm	mm	mm	mm	mm	mm	kg	kg
95STS 90-1.5"	66,000	3	18	30	15	25	35	5	14 x 65	24 x 37	1"	81	30	48	332	1,532		
	81,000	0.08	8.2	13.6	0.95	1.58	2.21	0.32	356 x 1651	610 x 940	25	2,057	762	1,219	151	695		
95STS 120-1.5"	88,000	4	24	40	20	27	38	7	16 x 65	24 x 37	1"	81	30	50	430	1,730		
	108,000	0.11	10.9	18.2	1.26	1.70	2.40	0.44	403 x 1651	610 x 940	25	2,057	762	1,270	195	785		
95STS 150-1.5"	110,000	5	30	50	25	32	43	8	18 x 65	24 x 37	1"	83	30	52	501	1,901		
95STS 180-1.5"	135,000	0.14	13.6	22.7	1.58	2.02	2.71	0.50	475 x 1651	610 x 940	25	2,108	762	1,321	227	863		
95STS 210-1.5"	132,000	6	36	60	30	31	42	11	21 x 62	29 x 50	1"	83	36	60	623	2,723		
95STS 240-1.5"	162,000	0.17	16.4	27.3	1.89	1.96	2.65	0.69	533 x 1575	740 x 1275	25	2,108	914	1,524	283	1,235		
95STS 270-1.5"	154,000	7	42	70	31	31	42	11	21 x 62	29 x 50	1"	83	36	60	679	2,779		
95STS 300-1.5"	189,000	0.20	19.1	31.8	1.96	1.96	2.65	0.69	533 x 1575	740 x 1275	25	2,108	914	1,524	308	1,261		
95STS 330-1.5"	176,000	8	48	80	32	32	44	17	24 x 72	29 x 50	1"	91	36	63	798	3,198		
95STS 360-1.5"	216,000	0.23	21.8	36.4	2.02	2.02	2.78	1.07	610 x 1829	740 x 1275	25	2,311	914	1,600	362	1,451		
95STS 390-1.5"	198,000	9	54	90	32	32	44	17	24 x 72	33 x 53	1"	91	40	67	866	3,766		
95STS 420-1.5"	243,000	0.25	24.5	40.9	2.02	2.02	2.78	1.07	610 x 1829	840 x 1335	25	2,311	1,016	1,702	393	1,709		
95STS 450-1.5"	220,000	10	60	100	32	32	43	17	24 x 72	33 x 53	1"	91	40	67	922	3,822		
95STS 480-1.5"	270,000	0.28	27.3	45.5	2.02	2.02	2.71	1.07	610 x 1829	840 x 1335	25	2,311	1,016	1,702	418	1,734		

LEGEND:

- ✕ ISOLATION VALVE
- ⊗ BYPASS VALVE
- ⊕ PRESSURE GAUGE & SAMPLE POINT
- ⊖ OPEN DRAIN
- ⊔ DIAPHRAGM VALVE
- ✱ VACUUM BREAKER
- # FLEX CONNECTORS
- ▶ RAW WATER LINES
- ▶ FILTERED/SOFTENED WATER
- ▶ TREATED WATER LINES
- ⊞ ELECTRIC BALL VALVE



RAW WATER REGENERATION PIPING SHOWN

NOTES:

- SOFTENER(S) EQUIPPED WITH A 95 SERIES ELECTRONIC CONTROL VALVE.
- ALSO AVAILABLE IN 1" AND 1.25" PIPING CONNECTION.
- REQUIRES 120 VOLT, 1 PHASE, 60 Hz ELECTRICAL POWER.
- ALL EXTERNAL PIPING, FITTINGS, INTERCONNECTING PIPING, ISOLATION & SAMPLE VALVES AND GAUGES SHOWN BY BROKEN LINES ARE BY OTHERS
- TANKS AND MEDIA ARE NSF APPROVED.
- RECOMMENDED MINIMUM SYSTEM PRESSURE IS 207 kPa (30 PSI) & MAXIMUM SYSTEM PRESSURE IS 690 kPa (100 PSI). MAXIMUM TEMPERATURE IS 38°C (100°F).
- TRIPOD TANKS TO BE SECURELY ATTACHED TO THE FLOOR.
- "MAX FLOW TO DRAIN" IS BASED ON WATER TEMPERATURES OF 4°C (40°F).
- FLOOR DRAINS MUST BE SIZED TO CARRY THE MAXIMUM LISTED FLOW TO DRAIN.
- REFER TO THE INSTALLATION AND OPERATION MANUAL FOR FURTHER DETAILS.
- SYSTEM MUST BE INSTALLED TO COMPLY WITH ALL FEDERAL, STATE, PROVINCIAL AND LOCAL CODES.
- MINIMUM FREE SPACE OF 152 mm (6") REQUIRED ABOVE VALVE.
- IF USING SYSTEM TREATED WATER REGENERATION, THE BALL VALVE MUST BE INSTALLED ON THE INLET INSTEAD OF THE OUTLET.

- DUE TO SLIGHT EXPANSION AND CONTRACTION OF MINERAL TANKS, PIPING MUST BE DESIGNED TO ALLOW SOME MOVEMENT AS WELL AS PROTECTED FROM VACUUM. FLEX CONNECTORS AND A VACUUM BREAKER MAY BE REQUIRED.
- NOTE: IF NEGATIVE PRESSURE EXCEEDS 5" HG (17 kPa), AN ADEQUATE VACUUM BREAKER MUST BE PROPERLY INSTALLED. FAILURE TO INSTALL FLEX CONNECTION PROPERLY, OR IMPROPER INSTALLATION OF A VACUUM BREAKER WHEN REQUIRED, MAY VOID THE WARRANTY.

MODEL:95STS 120 -1.5" S4000

95STS SOFTENER 1.5" SINGLE SYSTEM

THIS DOCUMENT CONTAINS INFORMATION WHICH IS PROPRIETARY TO CANATURE WATERGROUP. THE REPRODUCTION, TRANSFER, OR OTHER EXPLOITATION OF ANY INFORMATION CONTAINED HEREIN IS NOT PERMITTED WITHOUT PRIOR WRITTEN APPROVAL OF CANATURE WATERGROUP. THE MANUFACTURER RESERVES THE RIGHT TO MAKE PRODUCT REVISIONS, WHICH MAY DEVIATE FROM THE SPECIFICATIONS AND DESCRIPTIONS STATED HEREIN WITHOUT OBLIGATION TO CHANGE PREVIOUSLY MANUFACTURED PRODUCTS OR TO NOTE THE CHANGE. NOT DRAWN TO THE SCALE UNLESS OTHERWISE SPECIFIED.



Project:	Date: 02/21/2024	Rev
	Dwg# 95STS1.5S	0