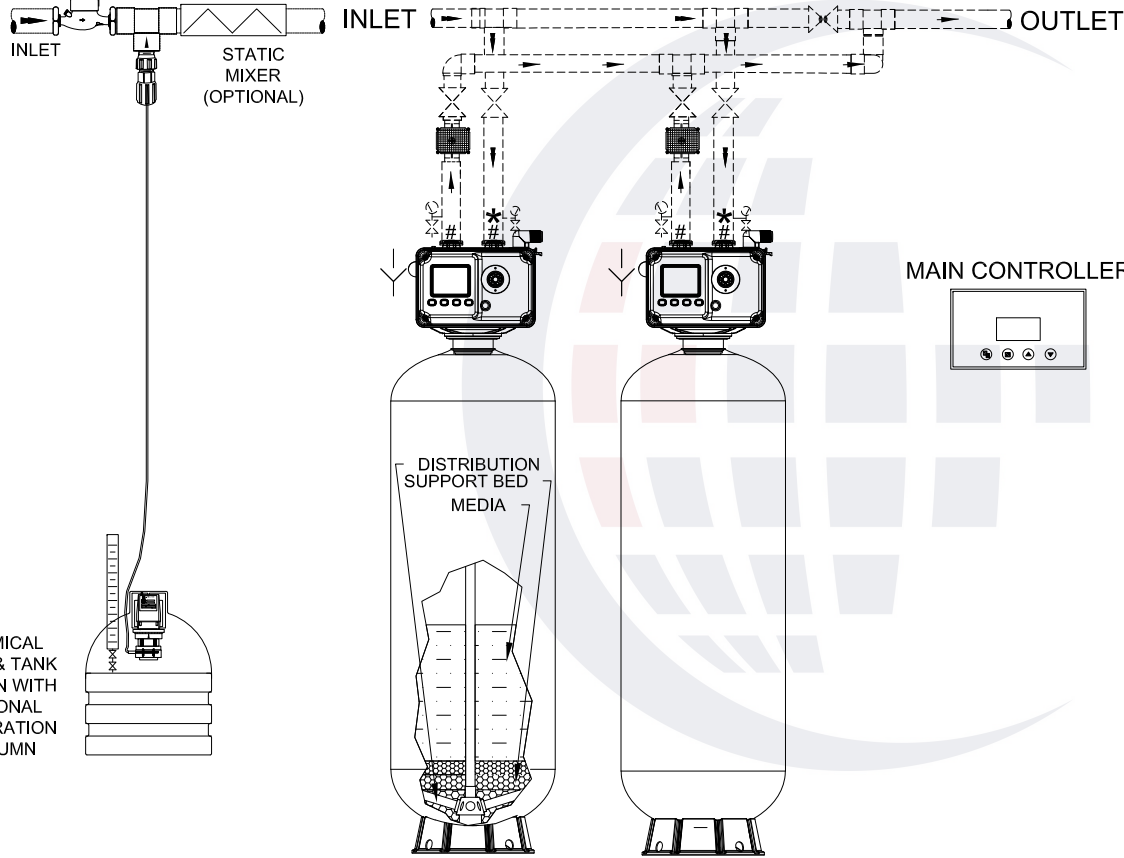


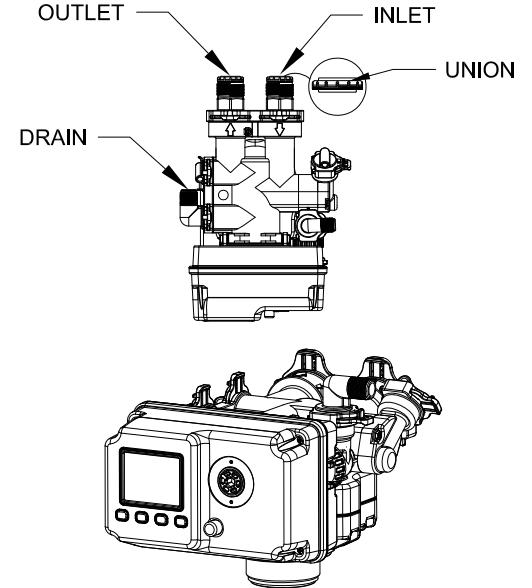
DMG Series Duplex Model	0-3 PPM			3-8 PPM			8-15 PPM			Max Flow To Drain	Pipe Size		Media	Mineral Tank		Installation			Shipping Weight	Operating Weight	
	Maximum Recommended Service Flow Rates										Service	Drain	Per Tank	Diameter	Height	Height	Depth	Width			
	USGPM	USGPM	USGPM	USGPM	USGPM	USGPM	USGPM	USGPM	USGPM		in	in	ft3	in	in	in	in	in			in
	l/s	l/s	l/s	l/s	l/s	l/s	l/s	l/s	l/s		mm	mm	m3	mm	mm	mm	mm	mm			mm
95MTS MG14-1.25"	10	6	4	10	1.25"	1"	2.75	14	66	81	20	37	861	1,661							
	0.63	0.38	0.25	0.63	32	25	0.08	356	1676	2057	508	940	391	754							
95MTS MG16-1.25"	14	8	5	15	1.25"	1"	3.5	16	66	81	22	41	1,141	2,141							
	0.88	0.50	0.32	0.95	32	25	0.10	406	1676	2057	559	1041	518	972							
95MTS MG18-1.25"	18	10	7	15	1.25"	1"	4.5	18	68	83	24	45	1,351	2,551							
	1.14	0.63	0.44	0.95	32	25	0.13	457	1727	2108	610	1143	613	1,158							
95MTS MG21-1.25"	24	14	10	25	1.25"	1"	6	21	68	83	27	51	1,699	3,299							
	1.51	0.88	0.63	1.58	32	25	0.17	533	1727	2108	686	1295	771	1,497							

System has basic chemical pump for continuous feed. For varying flowrates flow paced chemical feed is required (optional).

CONTACTING METER (OPTIONAL)



RAW WATER REGENERATION PIPING SHOWN



**LEGEND:**

- ⊗ ISOLATION VALVE
- ⊗ BYPASS VALVE
- ⊗ PRESSURE GAUGE & SAMPLE POINT
- ⊗ OPEN DRAIN
- \* VACUUM BREAKER
- # FLEX CONNECTOR
- RAW WATER LINES
- FILTERED/SOFTENED WATER LINES
- WATER TO OPEN DRAIN
- TREATED WATER LINES
- ⊗ ELECTRONIC BALL VALVE
- ⊗ UNION OR FLANGE

**NOTES**

- DUPLEX FILTER, CALENDAR CLOCK INITIATED, MULTI-TANK SYSTEMS ARE SERIES REGENERATION.
- FILTER IS EQUIPPED WITH 1.25" VALVE ELECTRONIC BALL VALVE WITH MAIN ELECTRONIC CONTROLLER.
- MAXIMUM RECOMMENDED SYSTEM PRESSURE IS 100 PSI (690 kPa) AND MINIMUM INLET PRESSURE IS 40 PSI.
- MAXIMUM RECOMMENDED SYSTEM TEMPERATURE IS 100 °F (38 °C).
- REQUIRES 120 VOLT, 1 PHASE, 60 HZ ELECTRICAL POWER.
- ALL EXTERNAL PIPING, FITTINGS, AND VALVES SHOWN BY BROKEN LINES ARE SUPPLIED BY OTHERS.
- MINERAL TANKS AND MEDIA ARE NSF APPROVED.
- DUE TO SLIGHT EXPANSION AND CONTRACTION OF MINERAL TANK, PIPING MUST BE DESIGNED TO ALLOW SOME MOVEMENT. AS WELL AS BE PROTECTED FROM VACUUM. FLEX CONNECTORS AND A VACUUM BREAKER MAY BE REQUIRED. FAILURE TO INSTALL EITHER OF THEM OR IMPROPERLY INSTALL THEM MAY VOID THE WARRANTY.
- AVAILABLE IN 1", 1.25", 1.5" PIPING CONNECTION.
- FLOOR DRAINS MUST BE SIZED TO CARRY THE MAX. LISTED FLOW TO DRAIN.
- REFER TO THE INSTALLATION AND OPERATION MANUAL FOR FURTHER DETAILS.
- USE PROPER UNION OR FLANGE FOR THE PIPE CONNECTION TO VALVE FOR EASY MAINTENANCE.
- SYSTEM MUST BE INSTALLED TO COMPLY WITH ALL FEDERAL, STATE, PROVINCIAL, & LOCAL CODES.
- MEDIA BED CONSISTS OF, NSF APPROVED MEDIA CONSISTS OF (FROM TOP TO BOTTOM) ANTHRACITE, MANGANESE GREENSAND ON A GRADED SUPPORT BED
- SYSTEM IS SUPPLIED WITH A GRADUATED CHEMICAL TANK AND STANDARD CONTINUOUS FEED CHEMICAL PUMP. (NOT SHOWN), IF THE SYSTEM HAS VARYING FLOW RATES, AN OPTIONAL FLOW PACED CHEM FEED SYSTEM MUST BE USED.

**95MTS GREENSAND FILTER  
1.25" DUPLEX SYSTEM**

THIS DOCUMENT CONTAINS INFORMATION WHICH IS PROPRIETARY TO CANATURE WATERGROUP. THE REPRODUCTION, TRANSFER, OR OTHER EXPLOITATION OF ANY INFORMATION CONTAINED HEREIN IS NOT PERMITTED WITHOUT PRIOR WRITTEN APPROVAL OF CANATURE WATERGROUP. THE MANUFACTURER RESERVES THE RIGHT TO MAKE PRODUCT REVISIONS, WHICH MAY DEVIATE FROM THE SPECIFICATIONS AND DESCRIPTIONS STATED HEREIN WITHOUT OBLIGATION TO CHANGE PREVIOUSLY MANUFACTURED PRODUCTS OR TO NOTE THE CHANGE. NOT DRAWN TO THE SCALE UNLESS OTHERWISE SPECIFIED.



Project:	Date: 02-13-2024	Rev
	Dwg# 95MTS MG1.25D	0