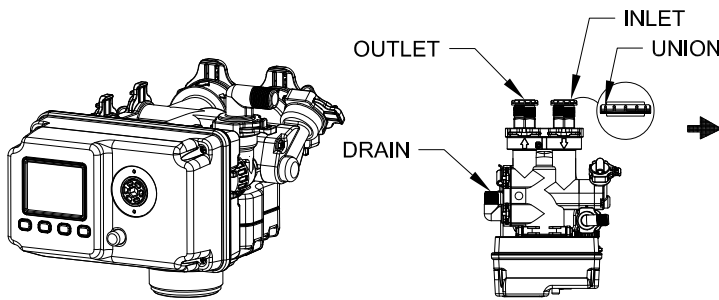


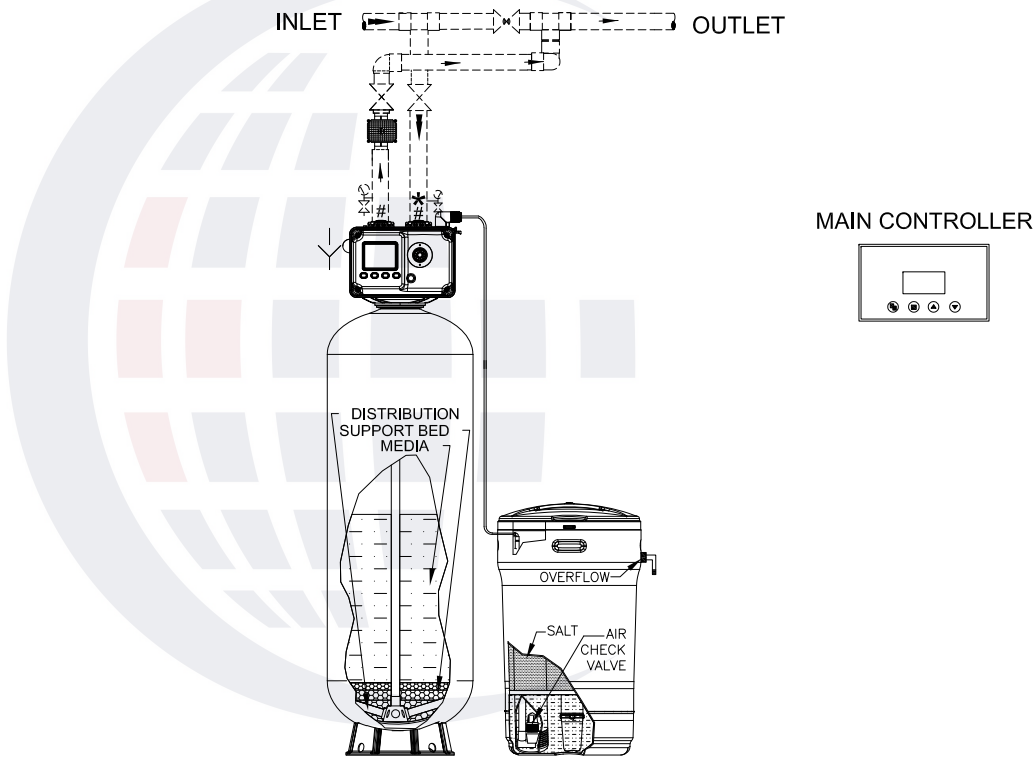
All specifications data are per tank



Model (Single)	Capacity		Salt Usage		Critical Flow	95 - 1.25"		Max Flow To Drain	Dimensions		Drain Pipe Size	Installation			Shipping Weight	Operating Weight
	gpg	Resin	@6 lbs/ft3	@10 lbs/ft3		@ 15 PSI	@ 25 PSI		Mineral Tank	Brine Tank		Height	Depth	Width		
	@6 lbs/ft3	ft3	lbs	lbs	USGPM	USGPM	in	in	in	in	in	in	in	in	lbs	lbs
95MTS	66,000	3	18	30	15	25	35	5	14 x 65	24 x 37	1"	81	30	48	332	1,532
90-1.25"	81,000	0.08	8.2	13.6	0.95	1.58	2.21	0.32	356 x 1651	610 x 940	25	2,057	762	1,219	151	695
95MTS	88,000	4	24	40	20	27	38	7	16 x 65	24 x 37	1"	81	30	50	430	1,730
120-1.25"	108,000	0.11	10.9	18.2	1.26	1.70	2.40	0.44	403 x 1651	610 x 940	25	2,057	762	1,270	195	785
95MTS	110,000	5	30	50	25	32	43	8	18 x 65	24 x 37	1"	83	30	52	501	1,901
150-1.25"	135,000	0.14	13.6	22.7	1.58	2.02	2.71	0.50	475 x 1651	610 x 940	25	2,108	762	1,321	227	863
95MTS	132,000	6	36	60	30	31	42	11	21 x 62	29 x 50	1"	83	36	60	623	2,723
180-1.25"	162,000	0.17	16.4	27.3	1.89	1.96	2.65	0.69	533 x 1575	740 x 1275	25	2,108	914	1,524	283	1,235
95MTS	154,000	7	42	70	31	31	42	11	21 x 62	29 x 50	1"	83	36	60	679	2,779
210-1.25"	189,000	0.20	19.1	31.8	1.96	1.96	2.65	0.69	533 x 1575	740 x 1275	25	2,108	914	1,524	308	1,261
95MTS	176,000	8	48	80	32	32	44	17	24 x 72	29 x 50	1"	91	36	63	798	3,198
240-1.25"	216,000	0.23	21.8	36.4	2.02	2.02	2.78	1.07	610 x 1829	740 x 1275	25	2,311	914	1,600	362	1,451
95MTS	198,000	9	54	90	32	32	44	17	24 x 72	33 x 53	1"	91	40	67	866	3,766
270-1.25"	243,000	0.25	24.5	40.9	2.02	2.02	2.78	1.07	610 x 1829	840 x 1335	25	2,311	1,016	1,702	393	1,709
95MTS	220,000	10	60	100	32	32	43	17	24 x 72	33 x 53	1"	91	40	67	922	3,822
300-1.25"	270,000	0.28	27.3	45.5	2.02	2.02	2.71	1.07	610 x 1829	840 x 1335	25	2,311	1,016	1,702	418	1,734

LEGEND:

- ✕ ISOLATION VALVE
- ⊗ BYPASS VALVE
- ⊕ PRESSURE GAUGE & SAMPLE POINT
- ⊖ OPEN DRAIN
- ⊔ DIAPHRAGM VALVE
- ✱ VACUUM BREAKER
- # FLEX CONNECTORS
- ▶ RAW WATER LINES
- ▶ FILTERED/SOFTENED WATER
- ▶ TREATED WATER LINES
- ⊞ ELECTRIC BALL VALVE



RAW WATER REGENERATION PIPING SHOWN

- NOTES:**
- SOFTENER(S) EQUIPPED WITH A 95 SERIES ELECTRONIC CONTROL VALVE.
 - ALSO AVAILABLE IN 1" AND 1.5" PIPING CONNECTION.
 - REQUIRES 120 VOLT, 1 PHASE, 60 Hz ELECTRICAL POWER.
 - ALL EXTERNAL PIPING, FITTINGS, INTERCONNECTING PIPING, ISOLATION & SAMPLE VALVES AND GAUGES SHOWN BY BROKEN LINES ARE BY OTHERS
 - TANKS AND MEDIA ARE NSF APPROVED.
 - RECOMMENDED MINIMUM SYSTEM PRESSURE IS 207 kPa (30 PSI) & MAXIMUM SYSTEM PRESSURE IS 690 kPa (100 PSI). MAXIMUM TEMPERATURE IS 38°C (100°F).
 - TRIPOD TANKS TO BE SECURELY ATTACHED TO THE FLOOR.
 - "MAX FLOW TO DRAIN" IS BASED ON WATER TEMPERATURES OF 4°C (40°F).
 - FLOOR DRAINS MUST BE SIZED TO CARRY THE MAXIMUM LISTED FLOW TO DRAIN.
 - REFER TO THE INSTALLATION AND OPERATION MANUAL FOR FURTHER DETAILS.
 - SYSTEM MUST BE INSTALLED TO COMPLY WITH ALL FEDERAL, STATE, PROVINCIAL AND LOCAL CODES.
 - MINIMUM FREE SPACE OF 152 mm (6") REQUIRED ABOVE VALVE.
 - IF USING SYSTEM TREATED WATER REGENERATION, THE BALL VALVE MUST BE INSTALLED ON THE INLET INSTEAD OF THE OUTLET.

- DUE TO SLIGHT EXPANSION AND CONTRACTION OF MINERAL TANKS, PIPING MUST BE DESIGNED TO ALLOW SOME MOVEMENT AS WELL AS PROTECTED FROM VACUUM. FLEX CONNECTORS AND A VACUUM BREAKER MAY BE REQUIRED.
- NOTE: IF NEGATIVE PRESSURE EXCEEDS 5" HG (17 kPa), AN ADEQUATE VACUUM BREAKER MUST BE PROPERLY INSTALLED. FAILURE TO INSTALL FLEX CONNECTION PROPERLY, OR IMPROPER INSTALLATION OF A VACUUM BREAKER WHEN REQUIRED, MAY VOID THE WARRANTY.
- MULTI-TANK SYSTEMS (MTS):
 - ALL MTS ARE CONTROLLED BY ONE CENTRAL CONTROLLER.
 - SOFTENERS ARE METER INITIATED, RESPONSIVE FLOW SYSTEMS. UNITS ARE AUTOMATICALLY BROUGHT ON-LINE BASED ON TOTAL SYSTEM FLOW RATE.
 - SOFTENERS ARE INTERLOCKED SO ONLY ONE UNIT CAN REGENERATE AT A TIME.

MODEL: 95STS 90 -1.25"S8000

95MTS SOFTENER 1.25" SINGLE SYSTEM

THIS DOCUMENT CONTAINS INFORMATION WHICH IS PROPRIETARY TO CANATURE WATERGROUP. THE REPRODUCTION, TRANSFER, OR OTHER EXPLOITATION OF ANY INFORMATION CONTAINED HEREIN IS NOT PERMITTED WITHOUT PRIOR WRITTEN APPROVAL OF CANATURE WATERGROUP. THE MANUFACTURER RESERVES THE RIGHT TO MAKE PRODUCT REVISIONS, WHICH MAY DEVIATE FROM THE SPECIFICATIONS AND DESCRIPTIONS STATED HEREIN WITHOUT OBLIGATION TO CHANGE PREVIOUSLY MANUFACTURED PRODUCTS OR TO NOTE THE CHANGE. NOT DRAWN TO THE SCALE UNLESS OTHERWISE SPECIFIED.



Project:	Date: 02/21/2024	Rev
	Dwg# 95MTS1.25S	0