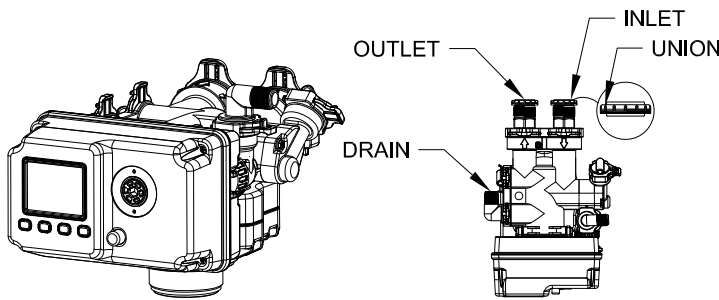


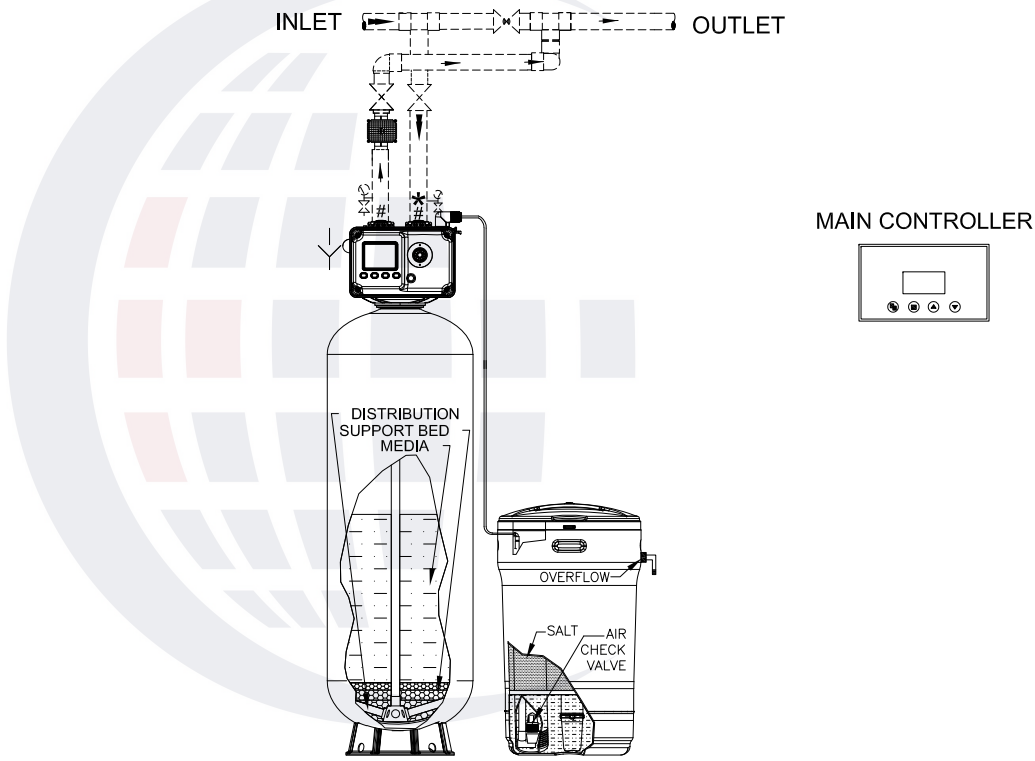
All specifications data are per tank



| Model (Single) | Capacity | | Salt Usage | | Critical Flow | 95 - 1.25" | | Max Flow To Drain | Dimensions | | Drain Pipe Size | Installation | | | Shipping Weight | Operating Weight |
|----------------|------------|-------|------------|-------------|---------------|------------|----------|-------------------|--------------|------------|-----------------|--------------|-------|-------|-----------------|------------------|
| | gpg | Resin | @6 lbs/ft3 | @10 lbs/ft3 | | @ 15 PSI | @ 25 PSI | | Mineral Tank | Brine Tank | | Height | Depth | Width | | |
| | @6 lbs/ft3 | ft3 | lbs | lbs | USGPM | USGPM | in | in | in | in | in | in | in | in | lbs | lbs |
| 95MTS | 66,000 | 3 | 18 | 30 | 15 | 25 | 35 | 5 | 14 x 65 | 24 x 37 | 1" | 81 | 30 | 48 | 332 | 1,532 |
| 90-1.25" | 81,000 | 0.08 | 8.2 | 13.6 | 0.95 | 1.58 | 2.21 | 0.32 | 356 x 1651 | 610 x 940 | 25 | 2,057 | 762 | 1,219 | 151 | 695 |
| 95MTS | 88,000 | 4 | 24 | 40 | 20 | 27 | 38 | 7 | 16 x 65 | 24 x 37 | 1" | 81 | 30 | 50 | 430 | 1,730 |
| 120-1.25" | 108,000 | 0.11 | 10.9 | 18.2 | 1.26 | 1.70 | 2.40 | 0.44 | 403 x 1651 | 610 x 940 | 25 | 2,057 | 762 | 1,270 | 195 | 785 |
| 95MTS | 110,000 | 5 | 30 | 50 | 25 | 32 | 43 | 8 | 18 x 65 | 24 x 37 | 1" | 83 | 30 | 52 | 501 | 1,901 |
| 150-1.25" | 135,000 | 0.14 | 13.6 | 22.7 | 1.58 | 2.02 | 2.71 | 0.50 | 475 x 1651 | 610 x 940 | 25 | 2,108 | 762 | 1,321 | 227 | 863 |
| 95MTS | 132,000 | 6 | 36 | 60 | 30 | 31 | 42 | 11 | 21 x 62 | 29 x 50 | 1" | 83 | 36 | 60 | 623 | 2,723 |
| 180-1.25" | 162,000 | 0.17 | 16.4 | 27.3 | 1.89 | 1.96 | 2.65 | 0.69 | 533 x 1575 | 740 x 1275 | 25 | 2,108 | 914 | 1,524 | 283 | 1,235 |
| 95MTS | 154,000 | 7 | 42 | 70 | 31 | 31 | 42 | 11 | 21 x 62 | 29 x 50 | 1" | 83 | 36 | 60 | 679 | 2,779 |
| 210-1.25" | 189,000 | 0.20 | 19.1 | 31.8 | 1.96 | 1.96 | 2.65 | 0.69 | 533 x 1575 | 740 x 1275 | 25 | 2,108 | 914 | 1,524 | 308 | 1,261 |
| 95MTS | 176,000 | 8 | 48 | 80 | 32 | 32 | 44 | 17 | 24 x 72 | 29 x 50 | 1" | 91 | 36 | 63 | 798 | 3,198 |
| 240-1.25" | 216,000 | 0.23 | 21.8 | 36.4 | 2.02 | 2.02 | 2.78 | 1.07 | 610 x 1829 | 740 x 1275 | 25 | 2,311 | 914 | 1,600 | 362 | 1,451 |
| 95MTS | 198,000 | 9 | 54 | 90 | 32 | 32 | 44 | 17 | 24 x 72 | 33 x 53 | 1" | 91 | 40 | 67 | 866 | 3,766 |
| 270-1.25" | 243,000 | 0.25 | 24.5 | 40.9 | 2.02 | 2.02 | 2.78 | 1.07 | 610 x 1829 | 840 x 1335 | 25 | 2,311 | 1,016 | 1,702 | 393 | 1,709 |
| 95MTS | 220,000 | 10 | 60 | 100 | 32 | 32 | 43 | 17 | 24 x 72 | 33 x 53 | 1" | 91 | 40 | 67 | 922 | 3,822 |
| 300-1.25" | 270,000 | 0.28 | 27.3 | 45.5 | 2.02 | 2.02 | 2.71 | 1.07 | 610 x 1829 | 840 x 1335 | 25 | 2,311 | 1,016 | 1,702 | 418 | 1,734 |

LEGEND:

- ✕ ISOLATION VALVE
- ⊗ BYPASS VALVE
- ⊕ PRESSURE GAUGE & SAMPLE POINT
- ⊖ OPEN DRAIN
- ⊔ DIAPHRAGM VALVE
- ✱ VACUUM BREAKER
- # FLEX CONNECTORS
- ▶ RAW WATER LINES
- ▶ FILTERED/SOFTENED WATER
- ▶ TREATED WATER LINES
- ⊞ ELECTRIC BALL VALVE



RAW WATER REGENERATION PIPING SHOWN

NOTES:

- SOFTENER(S) EQUIPPED WITH A 95 SERIES ELECTRONIC CONTROL VALVE.
- ALSO AVAILABLE IN 1" AND 1.5" PIPING CONNECTION.
- REQUIRES 120 VOLT, 1 PHASE, 60 Hz ELECTRICAL POWER.
- ALL EXTERNAL PIPING, FITTINGS, INTERCONNECTING PIPING, ISOLATION & SAMPLE VALVES AND GAUGES SHOWN BY BROKEN LINES ARE BY OTHERS
- TANKS AND MEDIA ARE NSF APPROVED.
- RECOMMENDED MINIMUM SYSTEM PRESSURE IS 207 kPa (30 PSI) & MAXIMUM SYSTEM PRESSURE IS 690 kPa (100 PSI). MAXIMUM TEMPERATURE IS 38°C (100°F).
- TRIPOD TANKS TO BE SECURELY ATTACHED TO THE FLOOR.
- "MAX FLOW TO DRAIN" IS BASED ON WATER TEMPERATURES OF 4°C (40°F).
- FLOOR DRAINS MUST BE SIZED TO CARRY THE MAXIMUM LISTED FLOW TO DRAIN.
- REFER TO THE INSTALLATION AND OPERATION MANUAL FOR FURTHER DETAILS.
- SYSTEM MUST BE INSTALLED TO COMPLY WITH ALL FEDERAL, STATE, PROVINCIAL AND LOCAL CODES.
- MINIMUM FREE SPACE OF 152 mm (6") REQUIRED ABOVE VALVE.
- IF USING SYSTEM TREATED WATER REGENERATION, THE BALL VALVE MUST BE INSTALLED ON THE INLET INSTEAD OF THE OUTLET.

- DUE TO SLIGHT EXPANSION AND CONTRACTION OF MINERAL TANKS, PIPING MUST BE DESIGNED TO ALLOW SOME MOVEMENT AS WELL AS PROTECTED FROM VACUUM. FLEX CONNECTORS AND A VACUUM BREAKER MAY BE REQUIRED.
- NOTE: IF NEGATIVE PRESSURE EXCEEDS 5" HG (17 kPa), AN ADEQUATE VACUUM BREAKER MUST BE PROPERLY INSTALLED. FAILURE TO INSTALL FLEX CONNECTION PROPERLY, OR IMPROPER INSTALLATION OF A VACUUM BREAKER WHEN REQUIRED, MAY VOID THE WARRANTY.
- MULTI-TANK SYSTEMS (MTS):
 - ALL MTS ARE CONTROLLED BY ONE CENTRAL CONTROLLER.
 - SOFTENERS ARE METER INITIATED, RESPONSIVE FLOW SYSTEMS. UNITS ARE AUTOMATICALLY BROUGHT ON-LINE BASED ON TOTAL SYSTEM FLOW RATE.
 - SOFTENERS ARE INTERLOCKED SO ONLY ONE UNIT CAN REGENERATE AT A TIME.

MODEL:95STS 240-1.25"S8000

95MTS SOFTENER 1.25" SINGLE SYSTEM

THIS DOCUMENT CONTAINS INFORMATION WHICH IS PROPRIETARY TO CANATURE WATERGROUP. THE REPRODUCTION, TRANSFER, OR OTHER EXPLOITATION OF ANY INFORMATION CONTAINED HEREIN IS NOT PERMITTED WITHOUT PRIOR WRITTEN APPROVAL OF CANATURE WATERGROUP. THE MANUFACTURER RESERVES THE RIGHT TO MAKE PRODUCT REVISIONS, WHICH MAY DEVIATE FROM THE SPECIFICATIONS AND DESCRIPTIONS STATED HEREIN WITHOUT OBLIGATION TO CHANGE PREVIOUSLY MANUFACTURED PRODUCTS OR TO NOTE THE CHANGE. NOT DRAWN TO THE SCALE UNLESS OTHERWISE SPECIFIED.



| | | |
|----------|------------------|-----|
| Project: | Date: 02/21/2024 | Rev |
| | Dwg# 95MTS1.25S | 0 |