

REVISION HISTORY (FOR DELTEC USE ONLY)	
1	ALT WINDOWS @ PANELS D & O FROM 7/0X5/2 TO 6/0X5/2. ADDED 6/0X5/2 WINDOWS @ PANEL H. ADDED 6/0X5/2 @ PANEL L. ALT WINDOW @ PANEL E FROM 7/0X5/2 TO 6/0X4/2. REMOVE F.P. @ PANEL B. ALT STAIRS TO ACCOMMODATE WIDTH OF 4". ADDED 9' GARAGE DOORS AND PANEL 1/0 FOR WING. ALL AS PER CUSTOMERS MARKED PRINT. 6-13-00
2	SHORTENED GARAGE TO 24'. PANELS AND INDICATORS ALTERED TO SUIT. MOVED DOOR FR GARAGE TO STAIR LANDING. CHANGED WINDOWS FR DH TO SLIDERS. MOVED TOILET AND SHOWER IN BATH# 3. MOVED LINEN CLOSET. ADDED CLOSET TO BEDROOM #3 W/ 3/0 POCKET DOOR. MOVED ISLAND IN KITCHEN. REMOVED WALL IN CLOSET @ KITCHEN. ALL AS PER CUSTOMERS MARKED PRINT. 4/4/00
3	ADDED STEMWALL TO ACCOMMODATE CRAWLSPACE & SLAB CHANGE IN BSMT. ADDED NOTE #6 & SECTION 2-C TO SUIT. ALT SPRING OF DOORS @ PANEL #1. ALT DOORS @ PANELS M & A FROM PGD TO FRENCH DBL DOORS. ALT ISLAND IN KITCHEN TO 5' X 4'. ALL AS PER CUSTOMERS MARKED PRINT. PANELS D/E/H/O: DELETED TEMPERED DES. PANEL E: ALT HT FROM 5/8 TO 5/2. AS A PLAN CORRECTION. 6-13-00
4	INCORPORATED PRODUCTION SPECIFICATIONS. 7-28-00

- GENERAL NOTES:**
- WINDOWS ARE TO BE MANUFACTURED BY ELLISON.
 - ALL EXTERIOR SWINGING DOORS TO BE SUPPLIED AND INSTALLED ON SITE BY OTHERS. DELTEC TO SUPPLY ROUGH OPENINGS ONLY.
 - MUST BE LOAD BEARING WALL TO SUPPORT MODIFIED FLOOR TRUSSES FOR STAIRWAY OPENING.
 - STAIR LINO:
(15) RISERS @ 7-7/16"
(14) TREADS @ 9-1/2" (EXCLUDING NOSING)
 - PANEL "D" TO SIT ON 16-5/8" KNEEWALL. KNEEWALL "D1" TO BE 7"-9" WIDE.
 - PORTION OF WING WALLS TO SIT ON MASONRY STEMWALL. STEMWALL REQUIRED TO MAINTAIN CORRECT ALIGNMENT OF WALL PANELS.

PRODUCTION SPECIFICATIONS (1200 UNIT)

WALL PANEL HEIGHT	7'-11"
WALL PANEL THICKNESS	2X6
SILL PLATE MATERIAL	S.P.F.
FOAM (YES/NO)	YES
5/8" CDX (YES/NO)	YES
SIDING	PINE LAP
SKIRT LENGTH	19 INCHES
ORDER OF COVERING	STUD-CDX-FOAM-SIDING
HIGH WIND REQUIREMENTS (YES/NO)	NO

NOTES:

WALL PANEL SCHEDULE (FOR DELTEC USE ONLY)

PANEL	R.O. OR SOLID	LOC. (L,R,C OR DIS.)	MOUNTING HEIGHT (DP OF WLL TO SL)	WINDOW/DOOR SPECIFICATION
A	R.O. 74" X 83"	C	83"	
B	SOLID			
C	SOLID			
D	R.O. 71" X 61-7/8"	C	83"	ELLISON VINYL TWIN DBL HUNG ((2) 3/0X5/2)
D2	16-5/8" KNEEWALL X 7'-9" WIDE			
E	R.O. 71" X 61-7/8"	C	83"	ELLISON VINYL TWIN DBL HUNG ((2) 3/0X5/2)
F	SOLID			
G	R.O. 50-1/2" X 83"	12" R	83"	
H	R.O. 38-1/2" X 83"	17" L	83"	
I	R.O. 38-1/2" X 83"	24" R	83"	
J	SOLID			
K	SOLID			
L	R.O. 71" X 37-7/8"	C	83"	ELLISON VINYL TWIN DBL HUNG ((2) 3/0X3/2)
M	R.O. 74" X 83"	C	83"	
N	R.O. 71" X 61-7/8"	C	83"	ELLISON VINYL TWIN DBL HUNG ((2) 3/0X5/2)
O	R.O. 71" X 61-7/8"	C	83"	ELLISON VINYL TWIN DBL HUNG ((2) 3/0X5/2)

PRODUCTION SPECIFICATIONS (24' X 24' WING)

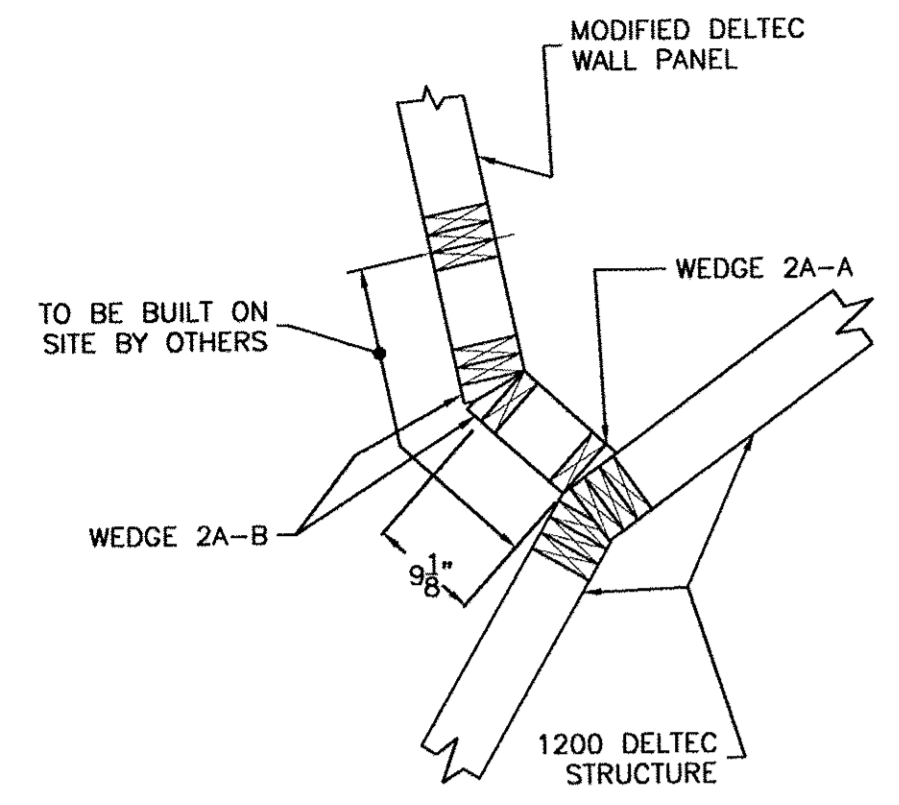
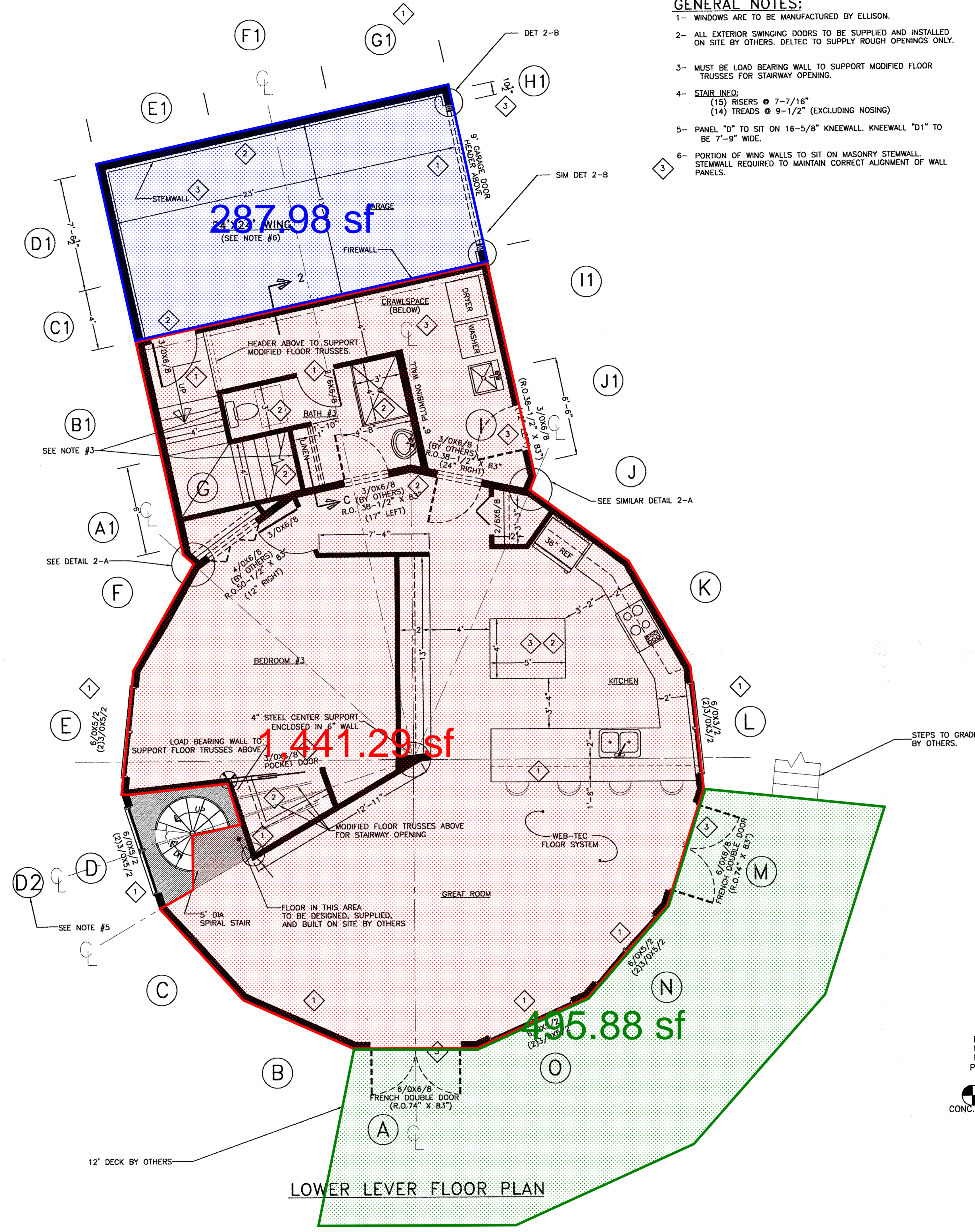
WALL PANEL HEIGHT	7'-11"
WALL PANEL THICKNESS	2X6
SILL PLATE MATERIAL	S.P.F.
FOAM (YES/NO)	YES (SHIPPED LOOSE)
5/8" CDX (YES/NO)	YES
SIDING	PINE LAP (SHIPPED LOOSE)
SKIRT LENGTH	19 INCHES
ORDER OF COVERING	STUD-CDX
HIGH WIND REQUIREMENTS (YES/NO)	NO

NOTES:

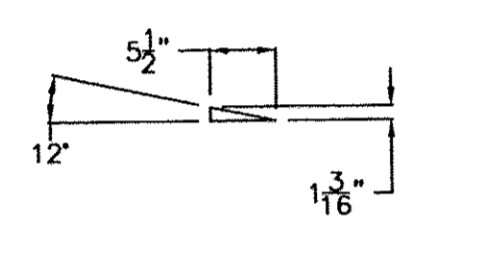
- PANEL D1: CDX TO HANG OVER LEFT SIDE 5-1/2".
- PANEL E1: CORNER NAILER INSIDE LEFT.
- PANEL G1: CORNER NAILER INSIDE RIGHT.
- PANEL H1: CDX TO HANG OVER RIGHT SIDE 5-1/2".

WALL PANEL SCHEDULE (FOR DELTEC USE ONLY)

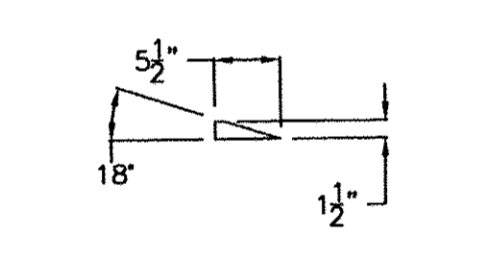
PANEL	R.O. OR SOLID	LOC. (L,R,C OR DIS.)	MOUNTING HEIGHT (DP OF WLL TO SL)	WINDOW/DOOR SPECIFICATION
A1	6" SOLID			
B1	SOLID			
C1	4" SOLID			
D1	7'-6 1/2" SOLID (SEE NOTE #1)			
E1	SOLID (SEE NOTE #2)			
F1	SOLID (SEE NOTE #3)			
H1	10-1/2" SOLID (SEE NOTE #4)			
I1	SOLID			
J1	6"-8" PANEL R.O. 38-1/2" X 83"	12" L	83"	



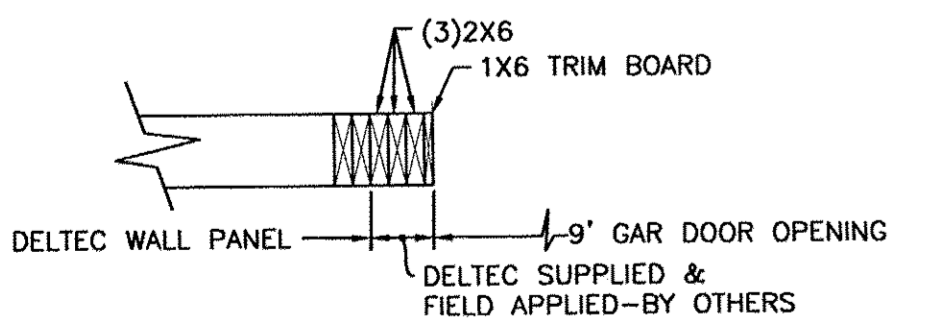
DETAIL 2-A
SCALE: 3/4"=1'-0"



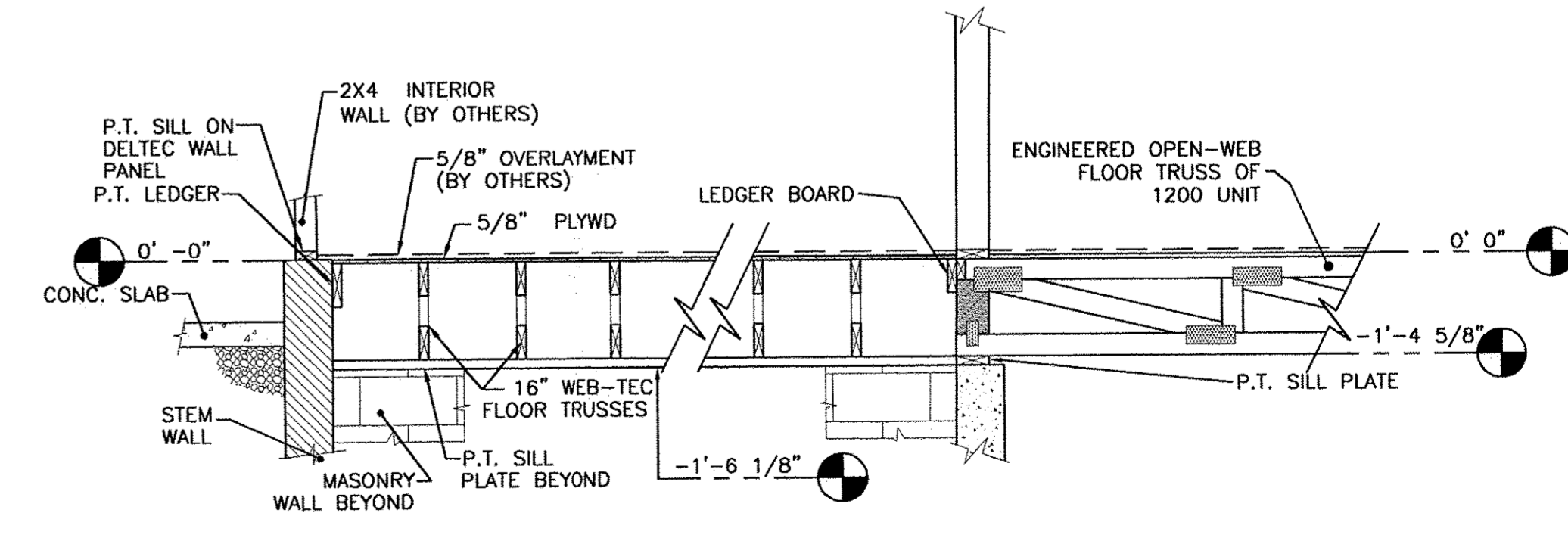
WEDGE 2A-A
(1) REQUIRED PER CONNECTION



WEDGE 2A-B
(2) REQUIRED PER CONNECTION



DETAIL 2-B
SCALE: 3/4"=1'-0"



SECTION 2-C
SCALE: 1/2"=1'-0"

CHECKED BY:		DATE: 3/8/00
PANEL HEIGHT: 8'	SCALE: 1/4"=1'-0"	DWN:
PANEL THICKNESS: 2X6	1200/0012-562	JOB #: 00008
QUOTE #:	2-ST 1200 WING ON BSMT/LOWER LEVEL PLAN	2 OF 3 0012-562

DELTEC HOMES, INC. IS AN EQUAL OPPORTUNITY AFFIRMATIVE ACTION EMPLOYER. MINORITIES AND WOMEN ARE ENCOURAGED TO APPLY. DELTEC HOMES, INC. IS AN EQUAL OPPORTUNITY AFFIRMATIVE ACTION EMPLOYER. MINORITIES AND WOMEN ARE ENCOURAGED TO APPLY. DELTEC HOMES, INC. IS AN EQUAL OPPORTUNITY AFFIRMATIVE ACTION EMPLOYER. MINORITIES AND WOMEN ARE ENCOURAGED TO APPLY.