


GLASLIFT® 351/770 Multilifter

 Made in Denmark
Pat. pend.

The self-propelled GlasLift® 351/770 features an intelligent transport mechanism and the well-known two-circuit vacuum suction as standard equipment. The transport mechanism is fitted with a differential gear and extremely strong.



Unique handling

Front wheel differential



Allows the Glaslift® to turn "on the spot". The turning radius is not more than its own length, because the differential adjust the rotation of the front wheels automatically.

Millimeter precise sideshift



2 x 50 mm sideshift allows the operator to manipulate loads millimeter precise sideways. This is a great feature for granite slabs, plasterboard and glass fitting jobs.

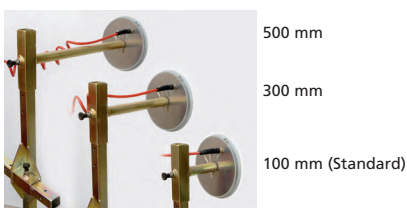
Unique safety

Powerful front wheel drive



The Glaslift® has a differential front wheel drive and rugged rubber tires, this means superior traction, precision and agility. Furthermore traction will increase proportionally with the load weight.

Extension arms



Extension arms for suction discs allows you to extend the fitting area forwards. 100 mm arms are standard on delivery. Extension arms are available as extras in 300 mm and 500 mm.

Unique adaptability

Semi offroad




Ground clearing height of 20 cm combined with rugged tires give semi-off-road capabilities and building site access. The powerful drive allows the machine to drive uphill as well as downhill fully loaded.

Vertical adjustment



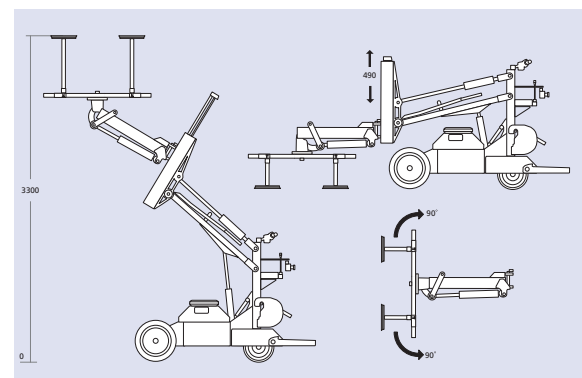
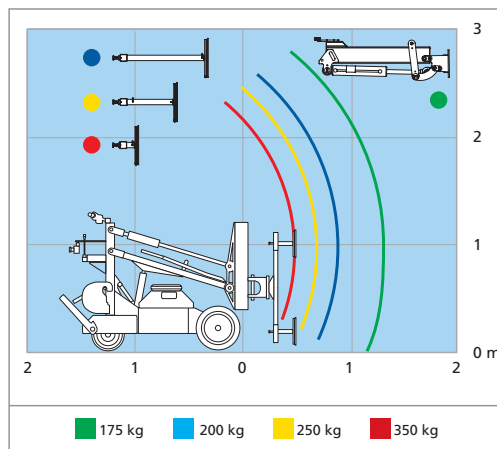
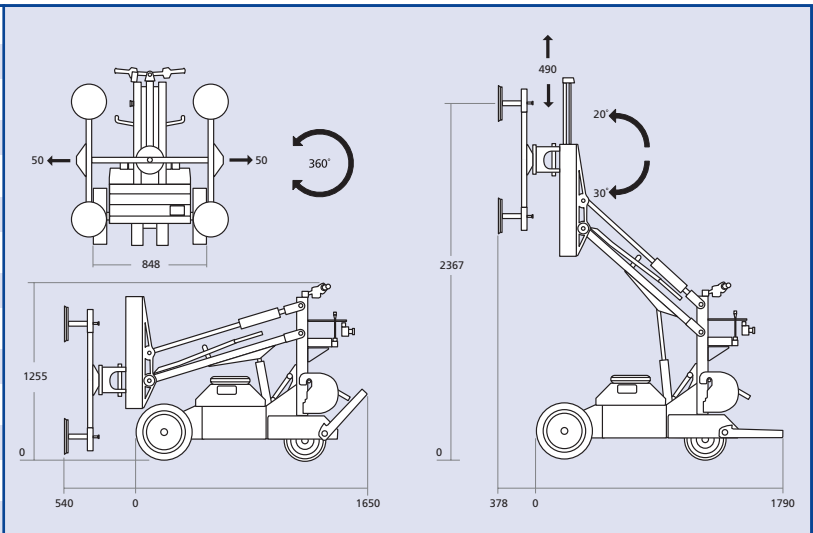
The unique head allows you to adjust loads vertically 450 mm's regardless of the angle of the lifting arm, thanks to the built-in hydraulic feature.

GLASLIFT® 351/770 Multilifter

 Made in Denmark
Pat. pend.

Technical data

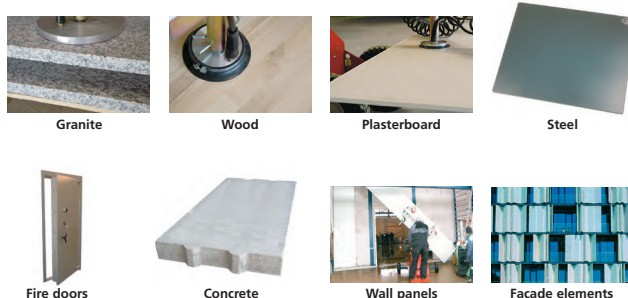
Description	Value
Loading capacity	350 kg
Own weight	595 kg
Counter weights	8 x 25 kg mm
Machine min. width	848 mm
Machine min. length	2170 mm
Machine min. height	1255 mm
Autonomy	4 hours
Front wheels	Puncture proof
Rear wheels	Puncture proof
Charging current	220 or 110 V
Battery specs.	152 Ah (12 v)
Charging time	10-100% 6 hours
Charging time	25-70% 1 hour



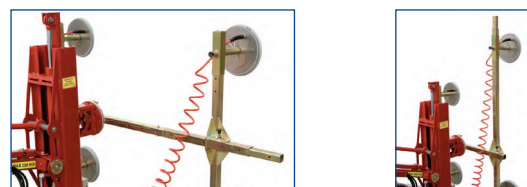
With the horizontal lifting arm as an optional extra you are able to pick up loads from ground level and mount it up to 3,2 meters.

Unique adaptability

Materials



Universal extension bar for the front lifting system



The construction of the extension bar enables it to extend the horizontal main frame as well as the vertical cross bar on the standard machine.

GlasLift® 351/770 complies with the requirements of Machinery Directive 2006/42/EC.

Please contact HH-Intellitech to book a demonstration.

mezzi@forite.uk

Sales:



Phone: 1.855.779.3371 | E-mail: sales@glgcan.com | www.glgcan.com