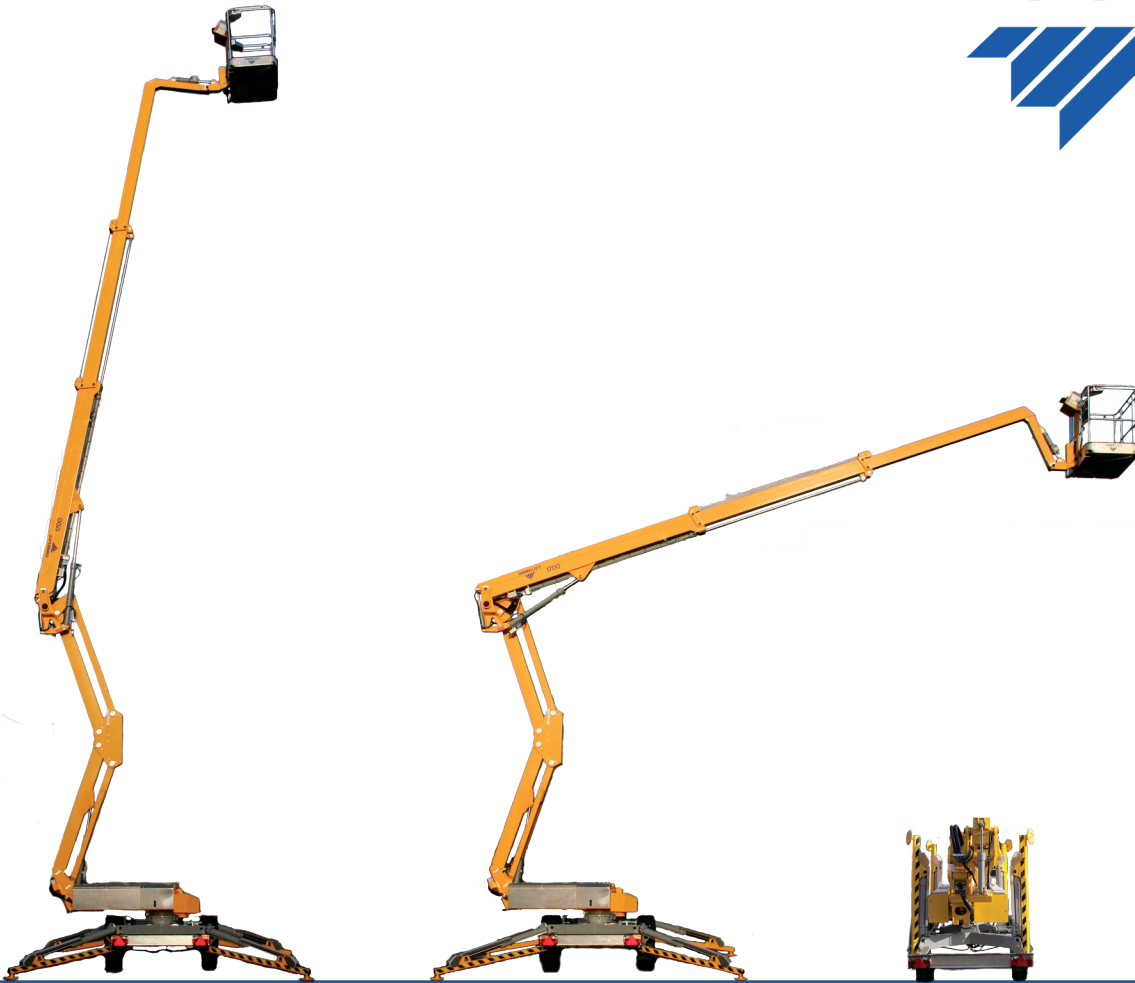


1700 EX



www.ommelift.com

Trailer lift - Articulated

Dealer:

ÅDALEN

Aadalen Truck AS

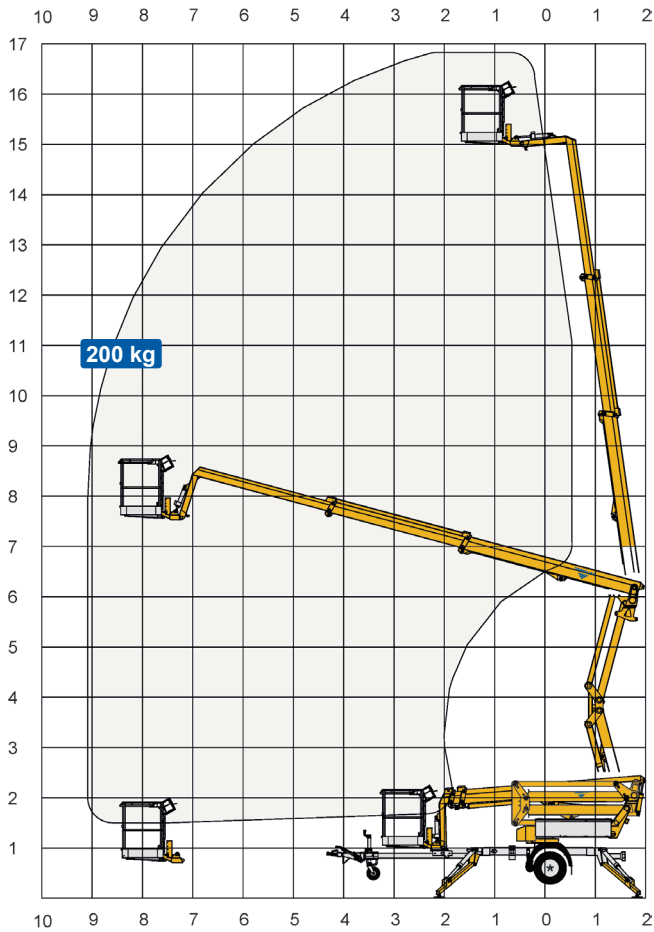
Trøskeneveien 36
Sarpsborg, 1708, Norge
+47 69 10 21 50
post@aadalen.no
www.aadalen.no

OMMELIFT



Built to last - ask our users!

1700 EX Trailer lift



Technical Data:	1700 EX	1700 EXB
Max. working height	16.8 m	
Max. platform height	14.8 m	
Max. outreach	9.1 m	
Up and over clearance	6.0 m	
Angle boom length (boom + basket)	2.0 m	
Jib length (jib + basket)	-	
Vertical jib rotation	-	
Turret rotation	± 355°	
Basket rotation	± 50°	
Max. basket load	200 kg	
Basket size	1.25 x 0.8 x 1.1 m	
Stabilizer pad size	ø200 mm	
	[°] Petrol [°] Diesel	BATTERY
Engine	230V / 16A	[°] Optional [°]
Fuel tank capacity	[°] Optional [°]	[°] Optional [°]
Generator		
Battery pack		24V/200Ah/5h
Charger		24 V / 30 A
Double charger system		Optional
Elec. descent	Optional	Optional
See www.ommelift.com for more features and options		
Self-propulsion with hydraulic engagement of traction rollers	Standard	
Gradeability	14% / 8°	
Ground to tire clearance at max. set-up	Min. 300 mm (10.8% / 6.1°)	
Total weight	2060 kg	2200 kg
Ground pressure, outrigger pad	12.4 kg/cm ²	12.4 kg/cm ²
Ground pressure with 0.4 x 0.4 m spreader plate	0.7 kg/cm ²	0.7 kg/cm ²
Max. force, outrigger	10.5 kN	10.5 kN
Hydraulic stabilizers	Standard	
Controls	Proportional	
Flush basket mount	Standard	
Elec. power outlet in basket	Standard	
Tool trays in basket	Standard	

