



Primary Hardware Systems

Fixed Vertical & Horizontal	Fixed Vertical w. Single Axial	Single Vertical Axial w. Fixed Horizontal	Multi Axial	Infinite Positioning
<p>Fixed Horizontal Clamp, Fixed Mounting Bracket</p>	<p>Fixed Horizontal Clamp, Axial Mounting Bracket</p>	<p>Axial Horizontal Clamp, Fixed Mounting Bracket</p>	<p>Axial Horizontal Clamp, Axial Mounting Bracket</p>	<p>Infinite Positional Movement, Infinite Adjustment Mounting Bracket, Hand Crank Infinite Adjustment Clamp</p>
<p>Vertical Measurements 14" - 18"</p> <p>Horizontal Measurements 7.4" - 13.4"</p> <p>Positioning Angles</p> <p>HOR. Rotation n/a</p> <p>VERT. Rotation n/a</p> <p>HOR. Yaw n/a</p> <p>VERT. Yaw n/a</p> <p>HOR. Pitch n/a</p> <p>VERT. Pitch 0° OR 58°</p>	<p>Vertical Measurements 14" - 18"</p> <p>Horizontal Measurements 8.4" - 14.4"</p> <p>Positioning Angles</p> <p>HOR. Rotation 360°</p> <p>VERT. Rotation n/a</p> <p>HOR. Yaw 70°</p> <p>VERT. Yaw n/a</p> <p>HOR. Pitch 70°</p> <p>VERT. Pitch 0° OR 58°</p>	<p>Vertical Measurements 14" - 18"</p> <p>Horizontal Measurements 7.4" - 13.4"</p> <p>Positioning Angles</p> <p>HOR. Rotation n/a</p> <p>VERT. Rotation 360°</p> <p>HOR. Yaw n/a</p> <p>VERT. Yaw 70°</p> <p>HOR. Pitch n/a°</p> <p>VERT. Pitch 128°</p>	<p>Vertical 14" - 18"</p> <p>Horizontal Measurements 7.4" - 13.4"</p> <p>Positioning Angles</p> <p>HOR. Rotation 360°</p> <p>VERT. Rotation 360°</p> <p>HOR. Yaw 70°</p> <p>VERT. Yaw 70°</p> <p>HOR. Pitch 70°</p> <p>VERT. Pitch 128°</p>	<p>Vertical 14" - 18"</p> <p>Horizontal Measurements 9.5" - 17.5"</p> <p>Positioning Angles</p> <p>HOR. Rotation 360°</p> <p>VERT. Rotation 360°</p> <p>HOR. Yaw 84°</p> <p>VERT. Yaw 84°</p> <p>HOR. Pitch 84°</p> <p>VERT. Pitch 142°</p>



NEW FOAM MEMBRANE STYLE AVAILABLE

New Style Available



We've added some additional features to our Standard Visco-Foam Layer.

At Future Mobility we're constantly reiterating our products with our in-house research department and conversations with customers like you.



0° - 70° Adjustable Lateral Supports

PRO FIT Exclusive



NEW

We've added an infection control foam membrane

Our pro-fit headrests now sport a new sweat-proof infection control membrane allowing it to bounce-back to its original shape more effectively than our competitors.

Only a quarter inch thick!

The new membrane is only a quarter inch thick and can be used with all of our existing chairs and covers.



Our headrests still come with our Future-Standard bio resistant Visco-foam that when paired with our ICC Infection Control Cover, can resist bacteria and sweat 80% as effectively as our new infection control foam membrane.



Special Hardware [LINKS SYSTEM]



The Links System

The links system was designed with complete needs in mind. Light-weight, durable, and fully adjustable, the links system can be adjusted to any head position on any chair.

Head Rest Options [The Comfort]

ARIES Steady

The Foam Pad is the introductory model in our headrest family. It's construction is of visco-foam with a hard flat back piece.

Like all of our headrests it is available with both the waterproof & 4-way stretch covers.

ARIES Curvus

This is a mighty mid-tier headrest pad with high quality aluminum and visco foam construction on a curved back.

This foam pad is designed for end users who need more lateral support but do not require adjustable lateral support.

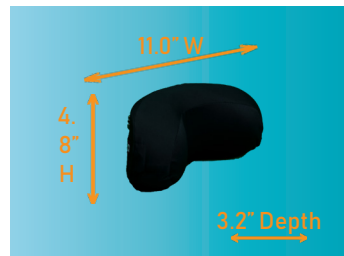
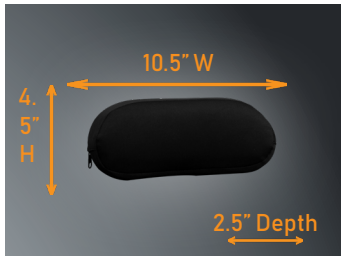
ARIES Pro-Fit

The Pro-Fit system is a layered visco foam pad with adjustable lateral supports.

It's the only Head rest with a ICC Foam Membrane.

This product was designed to adjust to all End-user cranial contours making it a perfect match for all users.

Small



Medium



Large

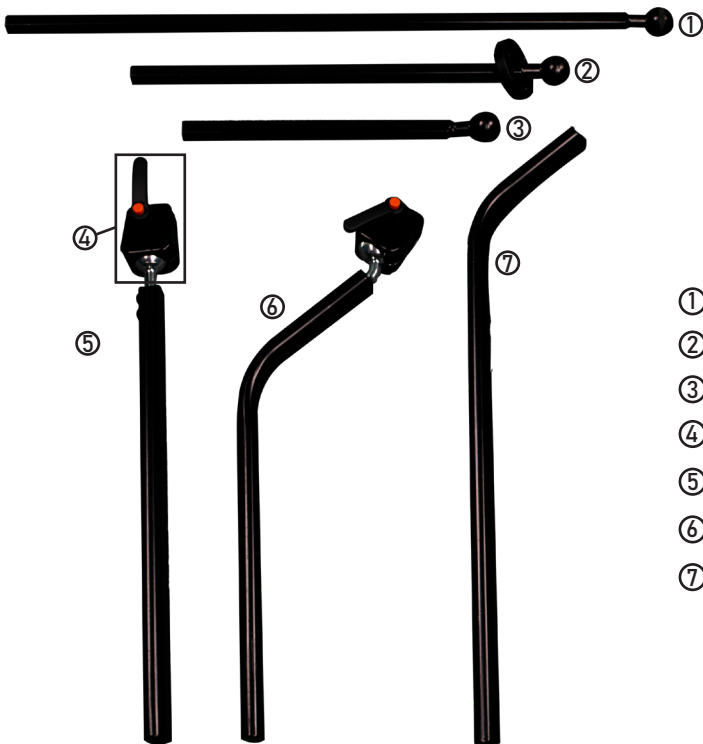


Hardware Family Options



Fixed Axial Options

- ① 8.5" MULTI-ANGLE HORIZONTAL NECK ADJUSTMENT TUBE
- ② 7.5" FIXED-ANGLE HORIZONTAL NECK ADJUSTMENT TUBE
- ③ 11.5" MULTI-ANGLE HORIZONTAL NECK ADJUSTMENT TUBE
- ④ 14" FIXED 45 ° CURVED VERTICAL TUBE **with hardware**
- ⑤ 18" FIXED 45 ° CURVED VERTICAL TUBE **without hardware**
- ⑥ 14" FIXED 45 ° CURVED VERTICAL TUBE **without hardware**
- ⑦ 14" FIXED STRAIGHT VERTICAL TUBE
- ⑧ FIXED AXIAL HARDWARE

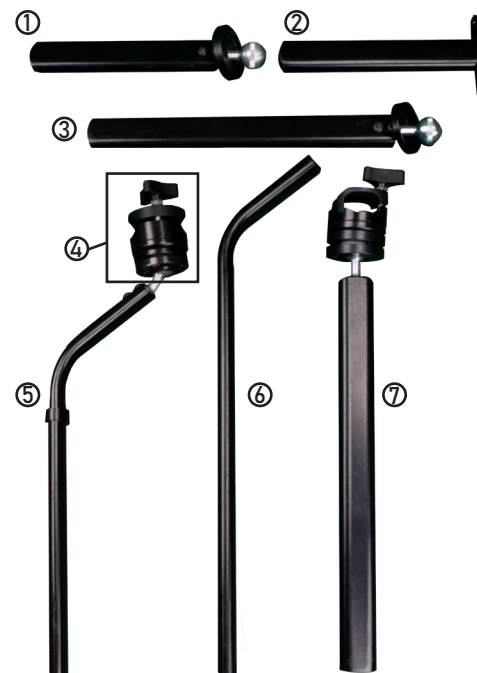


Infinite Axial Options

- ① 20" INFINITE HORIZONTAL NECK ADJUSTMENT TUBE
- ② 14" INFINITE HORIZONTAL NECK ADJUSTMENT TUBE
- ③ 9.5" INFINITE HORIZONTAL NECK ADJUSTMENT TUBE
- ④ INFINITE AXIAL HARDWARE
- ⑤ 14" INFINITE / MULTI AXIAL VERTICAL TUBE **with hardware**
- ⑥ 14" INFINITE / MULTI AXIAL CURVED VERTICAL TUBE **with hardware**
- ⑦ 18" INFINITE / MULTI AXIAL 45 ° CURVED VERTICAL TUBE **without hardware**

Multi Axial Options

- ① 8.5 MULTI-ANGLE HORIZONTAL NECK ADJUSTMENT TUBE
- ② 7.5" FIXED-ANGLE HORIZONTAL NECK ADJUSTMENT TUBE
- ③ 11.5" MULTI-ANGLE HORIZONTAL NECK ADJUSTMENT TUBE
- ④ MULTI-AXIAL HARDWARE
- ⑤ 14" FIXED 45 ° CURVED VERTICAL TUBE **with hardware**
- ⑥ 18" FIXED 45 ° CURVED VERTICAL TUBE **without hardware**
- ⑦ 14" FIXED STRAIGHT VERTICAL TUBE **with hardware**



Step One

Pick Vertical Tube Length & Curve

STRAIGHT VERTICAL HARDWARE

- 9.5" VERTICAL TUBE
- 14" VERTICAL TUBE
- 18" VERTICAL TUBE

CURVED VERTICAL HARDWARE

- 9.5" VERTICAL TUBE
- 14" VERTICAL TUBE
- 18" VERTICAL TUBE

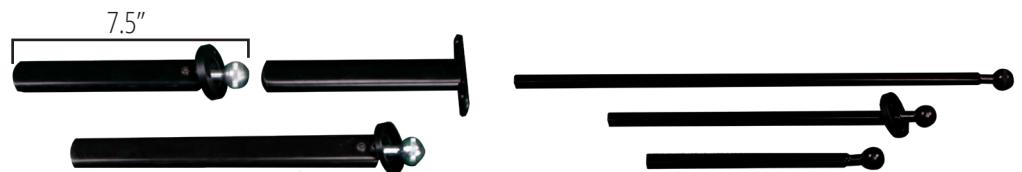


Step Two

Pick a Horizontal Tube Length

STRAIGHT VERTICAL HARDWARE

- 7.5" VERTICAL TUBE
- 11.5" VERTICAL TUBE
- Custom Size VERTICAL TUBE



Step Three

Pick The Type of Movement

Fixed Axial Options



Multi Axial Options



Infinite Axial Options



Step Four

Select the Type & Size of Pad

Steady

- Small
- Medium
- Large*



Curvus

- Small
- Medium
- Large*



Pro-Fit

- Small
- Medium
- Large*



Step Five

Request a Quote

