



ARIES

HEADREST SOLUTIONS





STEADY



THE ARIES STEADY

STANDARD COMFORT VISCO FOAM

The Foam Pad is the introductory model in our headrest family. It's construction is of visco-foam with a hard flat back piece. Like all of our headrests its is available with both the waterproof & 4-way stretch covers.

AVAILABLE SIZES



ARIES
by FUTURE MOBILITY

CURVUS



AVAILABLE SIZES

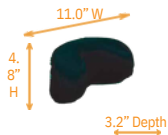
THE ARIES CURVUS

CURVED HEADREST COMFORT

This is a mighty mid-tier headrest pad with high quality aluminum and visco foam construction on a curved back.

This foam pad is designed for end users who need more lateral support but do not require adjustable lateral support.

Small



Medium



Large



ARIES
by FUTURE MOBILITY

PRO FIT

0° - 70° Adjustable
Lateral Supports



THE ARIES PRO FIT

ADJUSTABLE HEADREST COMFORT

The Pro Fit is a multi-layer visco foam pad featuring adjustable lateral supports. It's the only headrest that comes with ICC foam membranes. Designed to adjust to all of the end user's cranial contours, making it a perfect match for all users.

The Pro Fit comes in a variety of sizes: 4.5" - 6.5" in height, 9-12 inches in width, with a standard 1.5" depth. It has contour adjustable lateral supports which mold around the user's head, and are adjustable by applying force to the headrest's wings.

Small



Medium



Large



AVAILABLE WITH AN
INFECTION CONTROL
UPGRADE

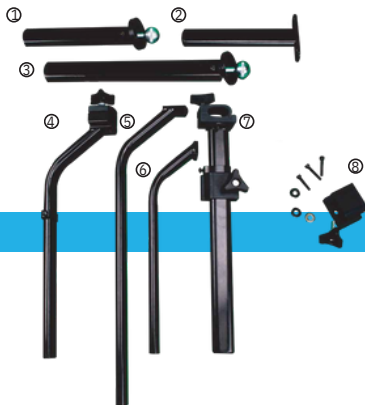


FIXED AXIAL HARDWARE STANDARD HEADREST MOUNT

The Fixed Axial Headrest Hardware was developed as a simple to adjust and implement solution for securing headrests to chairs. Like all of our Headrest Hardware it is affixed with a Universal Headrest Adapter Bracket to the chair's back. This single axial Headrest Hardware is adjustable with the twist of a knob, and one Alan Key adjustment.

FIXED AXIAL OPTIONS

- ① 8.5" MULTI-ANGLE HORIZONTAL NECK ADJUSTMENT TUBE
- ② 7.5" FIXED-ANGLE HORIZONTAL NECK ADJUSTMENT TUBE
- ③ 11.5" MULTI-ANGLE HORIZONTAL NECK ADJUSTMENT TUBE
- ④ 14" FIXED 45° CURVED VERTICAL TUBE (WITH HARDWARE)
- ⑤ 18" FIXED 45° CURVED VERTICAL TUBE (WITHOUT HARDWARE)
- ⑥ 14" FIXED 45° CURVED VERTICAL TUBE (WITHOUT HARDWARE)
- ⑦ 14" FIXED STRAIGHT VERTICAL TUBE
- ⑧ FIXED AXIAL HARDWARE



MULTI AXIAL HARDWARE

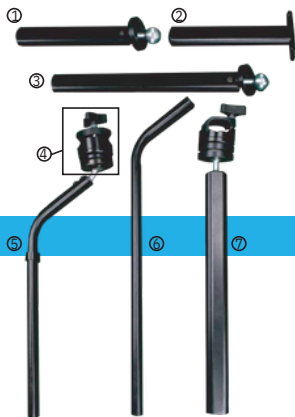
DUAL ADJUSTMENT AXIALS HEADREST MOUNT

The Multi Axial Headrest Hardware was developed as an upgraded version of the Fixed Axial. There is a wider range of angles to choose from, but it requires the use of Alan Keys.

Like all of our Headrest Hardware it is affixed with a Universal Headrest Adapter Bracket to the chair's back. This single axial Headrest Hardware is adjustable with the twist of a knob, and two Alan Key adjustments.

MULTI AXIAL OPTIONS

- ① 8.5" MULTI-ANGLE HORIZONTAL NECK ADJUSTMENT TUBE
- ② 7.5" FIXED-ANGLE HORIZONTAL NECK ADJUSTMENT TUBE
- ③ 11.5" MULTI-ANGLE HORIZONTAL NECK ADJUSTMENT TUBE
- ④ 14" FIXED 45° CURVED VERTICAL TUBE (WITH HARDWARE)
- ⑤ 18" FIXED 45° CURVED VERTICAL TUBE (WITHOUT HARDWARE)
- ⑥ 14" FIXED STRAIGHT VERTICAL TUBE (WITH HARDWARE)
- ⑦ MULTI-AXIAL HARDWARE



INFINITE AXIAL HARDWARE

INFINITE ADJUSTMENT HEADREST MOUNT

The Infinite Axial Headrest Hardware was developed as an upgraded and simplified version of the Multi-Axial. There is a wider range of angles to choose from, and the simple Turn Knob makes it easier to adjust. Like all of our Headrest Hardware it is affixed with a Universal Headrest Adapter Bracket to the chair's back. This single axial Headrest Hardware is adjustable with the twist of a knob, and one Alan Key adjustment.

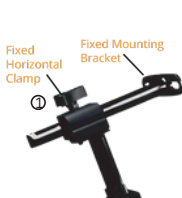
INFINITE AXIAL OPTIONS

- ① 20" INFINITE HORIZONTAL NECK ADJUSTMENT TUBE
- ② 14" INFINITE HORIZONTAL NECK ADJUSTMENT TUBE
- ③ 9.5" INFINITE HORIZONTAL NECK ADJUSTMENT TUBE
- ④ 14" INFINITE / MULTI AXIAL VERTICAL TUBE (WITH HARDWARE)
- ⑤ 14" INFINITE / MULTI AXIAL CURVED VERTICAL TUBE (WITH HARDWARE)
- ⑥ 18" INFINITE / MULTI AXIAL 45° CURVED VERTICAL TUBE (WITHOUT HARDWARE)
- ⑦ INFINITE AXIAL HARDWARE



HARDWARE CONFIGURATIONS

EVERY ADJUSTMENT ANGLE, PITCH, AND YAW



Fixed Vertical & Horizontal

Vertical Measurements
14" - 18"
Horizontal Measurements
7.4" - 13.4"

Positioning Angles

HOR. Rotation **N/A**
VERT. Rotation **N/A**
HOR. Yaw **N/A**

VERT. Yaw **N/A**

HOR. Pitch **N/A**

VERT. Pitch **0° OR 58°**



Fixed Vertical w. Single Axial

Vertical Measurements
14" - 18"
Horizontal Measurements
8.4" - 14.4"

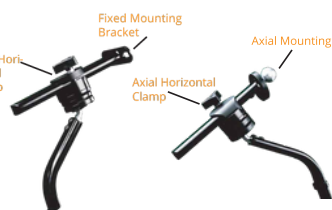
Positioning Angles

HOR. Rotation **360°**
VERT. Rotation **N/A**
HOR. Yaw **70°**

VERT. Yaw **N/A**

HOR. Pitch **70°**

VERT. Pitch **0° OR 58°**



Single Vertical Axial w. Fixed Horizontal

Vertical Measurements
14" - 18"
Horizontal Measurements
7.4" - 13.4"

Positioning Angles

HOR. Rotation **N/A**
VERT. Rotation **360°**
HOR. Yaw **N/A**

VERT. Yaw **70°**

HOR. Pitch **N/A**

VERT. Pitch **128°**



Multi Axial

Vertical Measurements
14" - 18"
Horizontal Measurements
7.4" - 13.4"

Positioning Angles

HOR. Rotation **360°**
VERT. Rotation **360°**
HOR. Yaw **70°**

VERT. Yaw **70°**

HOR. Pitch **70°**

VERT. Pitch **128°**



Infinite Positioning

Vertical Measurements
14" - 18"
Horizontal Measurements
9.5" - 17.5"

Positioning Angles

HOR. Rotation **360°**
VERT. Rotation **360°**
HOR. Yaw **84°**

VERT. Yaw **84°**

HOR. Pitch **84°**

VERT. Pitch **142°**



Rehab Cushions