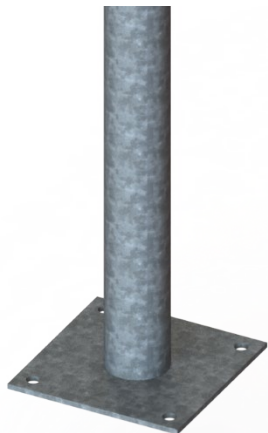


TECHNICAL DATA SHEET

RA412L7-10 ROCK ANCHOR



PRODUCT SPECIFICATIONS	
Physical and Chemical Properties	
STEEL GRADE	Conform to CAN/CSA G40.21-350W and/or ASTM A500 class C
WELDING	Conform to CSA W59
HOT DIP GALVANIZATION	Conform to ASTM-A123M
RECOMMENDED ANCHOR	4x chemical anchors 7/8" diam. x 8" lg, type HILTI HIT-RE 500 or equivalent
Models	Standard Dimensional Specifications
RA412L7-10 ANCHOR	4 1/2" diam. tube welded to an 11 1/2" x 1/2" thick square plate.

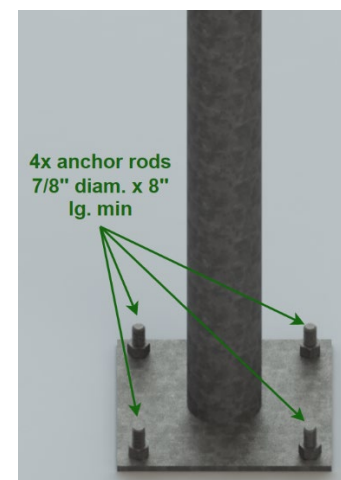
The usage and structural capacities of this part must be determined by an engineer, taking into account the applicable conditions and the nature of the structure it supports.

CONDITIONS OF USE

Rock anchors are used to support structures in situations where the depth of the rock stratum (bedrock) is too shallow for a screw pile to be installed. These anchors must be installed in unweathered bedrock.

INSTALLATION METHOD

- EXCAVATE SOIL IN PLACE UP TO THE BEDROCK LEVEL.
- CLEAN THE BEDROCK SURFACE.
- MAKE THE BEDROCK SURFACE HORIZONTAL. A 10° MAXIMUM SLOPE IS PERMITTED ON THE BEDROCK SURFACE.
- DRILL 4 HOLES AS INDICATED ON THE PLATE PER ANCHOR MANUFACTURER'S INSTRUCTIONS.
- INSTALL ANCHORS FOLLOWING THE INSTRUCTIONS OF THE MANUFACTURER
- TIGHTEN PROGRESSIVELY AND ALTERNATELY EACH ROD, TO ENSURE A BETTER CONTACT OF THE ANCHOR PLATE ON THE ROCK.
- FILL AND COMPACT EXCAVATED SOIL AROUND THE ANCHOR TUBE.
- 8. CUT THE UNUSED PORTION OF TUBE TO REQUIRED LEVEL.




Recommended Connection

NORMATIVE INFORMATION

This Postech pile accessory has undergone rigorous evaluation and testing to verify compliance with the applicable production standards specified above, and in accordance with the ISO-9001 quality management system.

ADVANTAGES

- Product and installation are supplied.
- Can be installed in all climates, weather or ground conditions.
- Allows the adjustment of pile heads.
- The most reliable & economical solution available.
- Reusable and recyclable, environmentally friendly. 
- Can be installed under an existing structure.
- No waiting time, you can build as soon as the installation is completed.

MANUFACTURER:
 Pieux Vistech - Postech Screw Piles
 10260, Bourque boulevard
 Sherbrooke QC J1N 0G2
 Tel.: 819.843.3003
 Toll free: 1.866.277.4389
 Fax. : 819.868.0793
postechpiles.com