












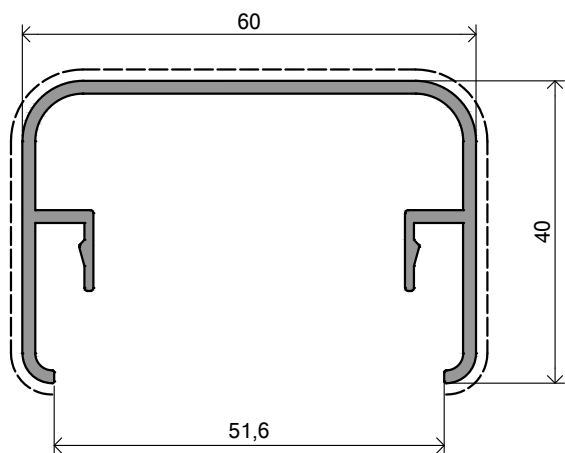


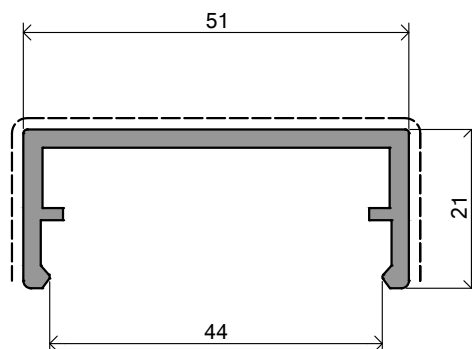


| <i>CODICE</i> | <i>PROFILO</i> | <i>PESO Kg/m</i> | <i>PAG.</i> |
|----------------|---|----------------------|-------------|
| NX10001 |  | 0,746 | 109 |
| NX10051 |  | 0,595 | 109 |
| NX10052 |  | 0,236 | 109 |
| NX10023 |  | 0,335 | 109 |
| NX10022 |  | 0,313 | 109 |
| G209 |  | 0,969 | 109 |
| ER3551 |  | 0,481 | 110 |
| ER538 |  | 0,3170 | 110 |
| NX10025 |  | 0,440 | 110 |
| NX10013 |  | 0,459 | 110 |
| NX10062 |  | 0,407 | 110 |
| ER3550 |  | 1,204 | 110 |
| NX10024 |  | 0,375 | 110 |

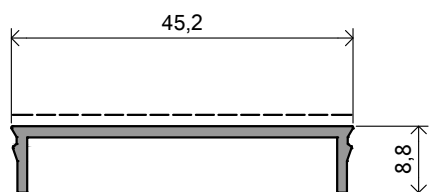




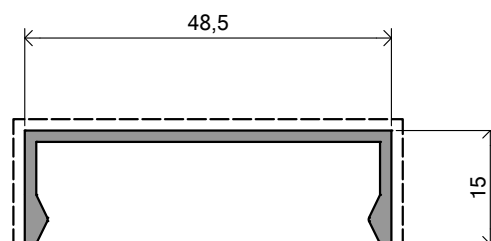
NX10001 | 0,746 Kg/m



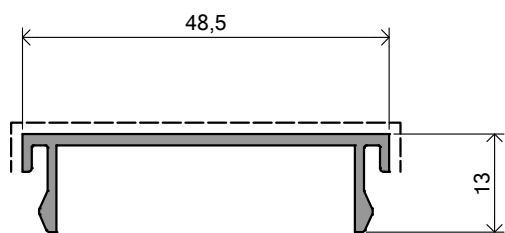
NX10051 | 0,595 Kg/m



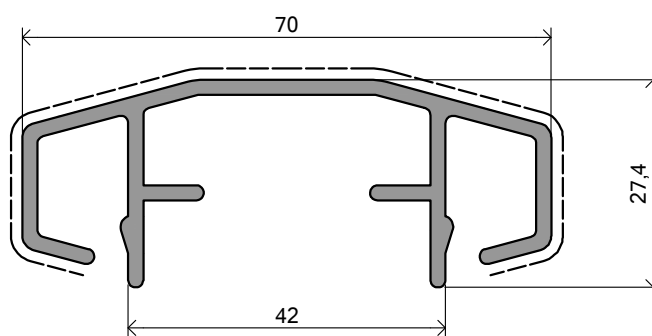
NX10052 | 0,236 Kg/m



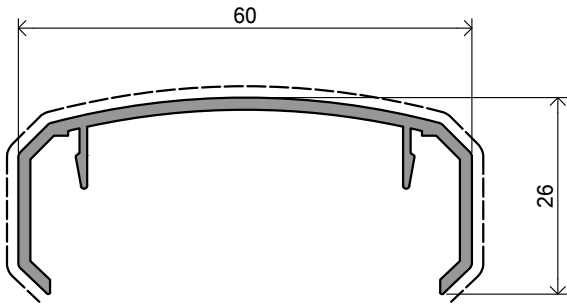
NX10023 | 0,335 Kg/m



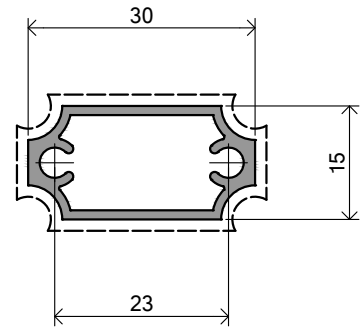
NX10022 | 0,322 Kg/m



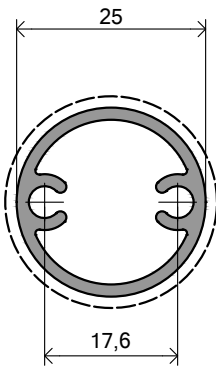
G209 | 0,969 Kg/m
IN COSTRUZIONE



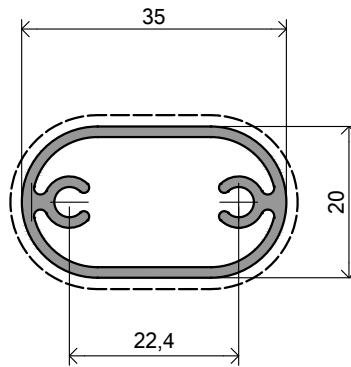
ER3551 | 0,481 Kg/m



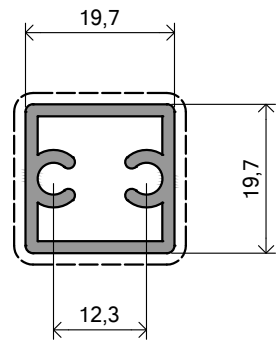
ER538 | 0,317 Kg/m



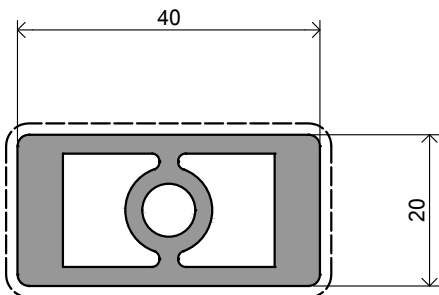
NX10025 | 0,440 Kg/m



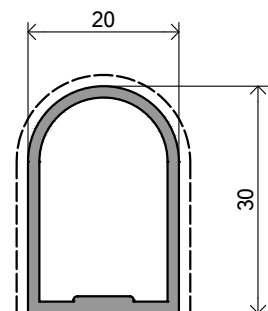
NX10013 | 0,459 Kg/m



NX10062 | 0,407 Kg/m



ER3550 | 1,204 Kg/m



NX10024 | 0,375 Kg/m