

NEDAC NEWS

FALL 2016 EDITION | NED ALUMNI ASSOCIATION CANADA



HIGHLIGHTS IN THIS EDITION:

- Message from the Editor
- Upcoming Events
- Message from the President
- 2016 Elections
- Introducing the New Committees
- Recent Events
- Technical Message: The Future of Bulk Power Transmission



WELCOME TO NED ALUMNI ASSOCIATION CANADA

NED Alumni Association Canada is the alumni of NED University of Engineering and Technology, Karachi, Pakistan (NEDUET). NED University is the oldest and largest Engineering university in Pakistan.

The NED University of Engineering & Technology, was established in March 1977 under an act of the Provincial Assembly of Sindh after upgrading of the former NED Government Engineering College, which was set up in 1922. The NED University is thus one of the oldest institution in Pakistan for teaching and producing Engineering graduates. Prior to this, the D.J.Sindh College, used to run classes to train subordinates for the Sindh P.W.D., the Municipalities and Local Boards.

NED Alumni Association Canada (NEDAC) was established in 2006 to provide networking opportunities for NED graduates living in Greater Toronto Area. Since inception NEDAC membership has grown many folds and currently with around 500 members and growing, it is the largest international NED Alumni in the world!

EDITORIAL STAFF

Mr. Shahid Chishty, P.Eng,
Editor

Nadia Zia
Ursula Nazar Abbas
Syed Zeeshan Ejaz
Farrukh Shahab Siddiqi

BOARD MEMBERS

Mr. Syed Imran Ahmed
President

Mr. Islam Nabi Khan
Vice President

Ms. Nazli Khan
General Secretary

Mr. Afzal Memon
Joint Secretary

Mr. Karamat Ullah
Finance & Membership Secretary

Mr. Muhammad Farooq
Social Secretary

Mr. Shahid Chishty
Publication Secretary

Mrs. Iram Bukhari
NED Liaison Secretary

Tanvir Akhtar
Information Secretary

Mrs. Saima Gillani
Ms. Naila Wasim
Mr. Tanvir Ahmed
Mr. Najam Yaseen
Mr. Farrukh Siddiqi
Mr. Zeshan Ejaz
Mrs. Ursula Nazar Abbas
Mrs. Nadia Zia
Executive Members

MAILING ADDRESS

4803 Bloomburg Drive
Mississauga, ON, L5M 7K4

EMAIL | WEBSITE

shahid.chishty@gmail.com
NEDAlumniCanada.org



FROM THE EDITOR'S DESK

It is a pleasure to release the fall 2016 NEDAC News edition with a totally new look and we will continue to improve the quality of the publications. Since joining the office on this new board as Publication Secretary, I have been blown away by the dedication, enthusiasm, energy, focus, raising the bar to new levels, and care for the fellow NEDians by the new board. There have been several committees formed and each is doing a fantastic job.

I am glad that I am part of this vibrant board and we feed our energies from one another to strive for the best. There have been several programs arranged so far by the board which has been very well received by membership and you will find details in this edition. All the programs have been sold out in a short period of time.

Lastly, this is your newsletter and I encourage each and every one of the members to participate and send articles, whether they are technical in nature or contain useful information for the members. Please send your feedback on the 'New look' of the newsletter to shahid.chishty@gmail.com, if you like it or have suggestions for improvement. I would love to hear from you.

Shahid Chishty, P. Eng.
Editor

"I have been blown away by the dedication, enthusiasm, energy, focus, raising the bar to new levels, and care for the fellow NEDians by the new board."

UPCOMING EVENTS

SAT OCTOBER 1, 2016
12:00pm - 5:00pm

**NEDAC Professional Development Seminar
Project Cost & Schedule in Primavera**

Admiral Inn Hotel
2161 N Sheridan Way, Mississauga, ON L5K 1A3

FRI DECEMBER 2, 2016

NEDAC ANNUAL DINNER

MARKHAM Convention Center
2901 Markham Rd, Toronto, ON M1X 0B6.



MESSAGE FROM THE PRESIDENT

Dear Fellow Alumni:

Welcome to our latest issue of NEDAC News. I am excited for the release of this newsletter as it covers activities and updates for the whole current year. Please join me in congratulating our new publication secretary Engr. Shahid Chishty and his team for their hard work and tireless efforts to streamline the process for NEDAC publications and putting together the first edition of NEDAC News. This new look represents the energy and dynamism of this organization and we are striving to raise the bar again for NEDAC News quality and standard.

2016 has been a very busy year in NEDAC so far. NEDAC Elections were held in April which was one of the most important events to kick off the new year. I take this opportunity to thank NEDAC members for their trust and confidence in me to lead this dynamic organization for two more years. I welcome aspiring NEDians and our new board members who have taken the time from their busy life to serve our Alumni. With the help of our energetic and ambitious board members, we promise to keep moving forward and take NEDAC to new heights!

NEDAC organized its FIRST Ever IFTAR Party this year. Hats off to the new board members for their generosity and enthusiasm in financially sponsoring this event and providing an opportunity for NEDAC families to open fast together. This event was FREE for NEDAC members.

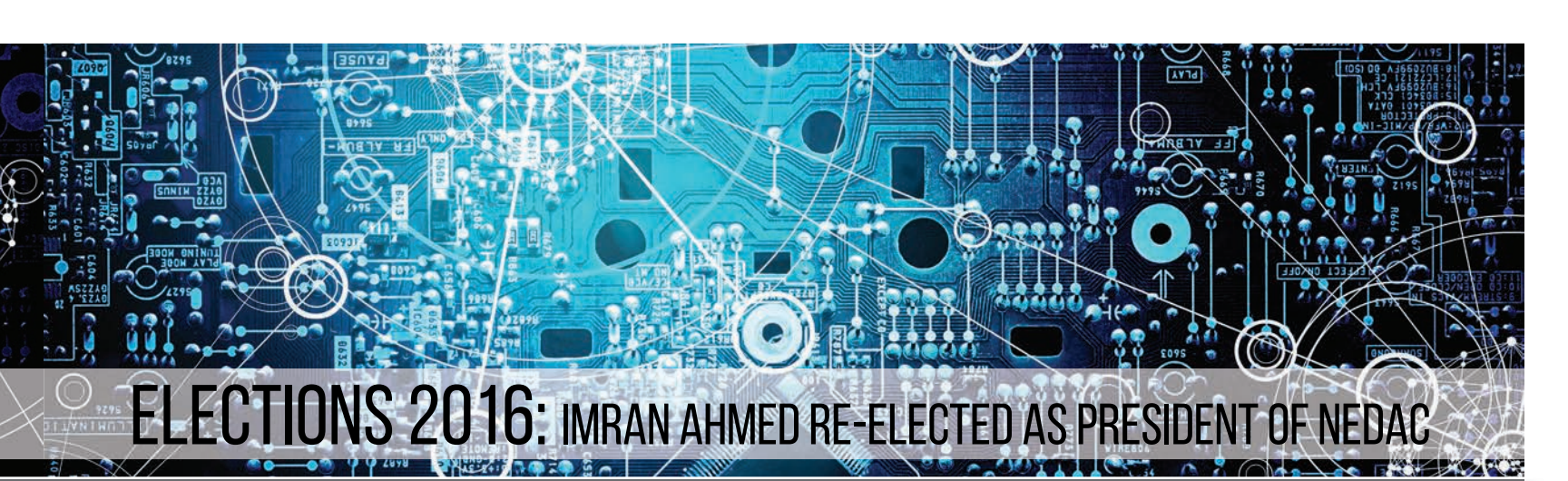
“An Evening with Aftab Rizvi” and “NEDAC Picnic 2016” were held in July and August respectively and were very well attended by NEDAC members.

NEDAC Professional development committee is busy in preparation of our upcoming technical seminar on Oct 01 titled “Project Cost and Scheduling in Primavera”. We have received an overwhelming response from members and are already 95% full in our target registration.

NEDAC Annual Dinner 2016 activities have already kicked off! This year the event will be held at the East end of Toronto at Markham Convention Center. Please mark your calendar for Friday, December 02 to attend the Annual Dinner.

Summer is already finished and I am not sure where did it go ... It was FAST. We are already starting to feel a little cold in the evenings and changing colors of leaves. If you have an opportunity, take some time off to visit the amazing suburbs of Toronto to see fall colors. It's priceless!

Syed Imran Ahmed
President



ELECTIONS 2016: IMRAN AHMED RE-ELECTED AS PRESIDENT OF NEDAC

Recent NEDAC Elections & Bylaw amendments were held on April 23, 2016, in Burnhamthorpe Community Center, Mississauga. The proceeding started with the recitation of holy Quran by Engr Shahid Chishty followed by an address by outgoing General Secretary Engr. Mohammad Khalid. In his address, he explained the procedure of Bylaws amendments and invited election commissioner Engr Azfar Shakil to explain the voting procedure. Shakil thanked the board for assigning him this responsibility & explained the voting procedure. He invited each contesting candidates to introduce & present their vision.

After the Elections, results were announced by Election Commissioner Azfar Shakil, he thanked his committee comprising of Engr. Nasir Azam & Shah Quarin Ahmad for their hard work & cooperation.

He took Oath from the following elected Board Members for two years term 2016-2018.

President: Syed Imran Ahmed, Vice President: Islam Nabi Khan, General Secretary: Nazli Khan, Joint Secretary: Mohammad Afzal Memon, Social Secretary: Mohammad Farooq, Finance & Membership Secretary: Karamat Ullah, Information Secretary: Tanvir Akhtar, Publication Secretary: Syed Shahid Ahmed Chishty, Liason Secretary: Iram Bukhari, Executive Members: Farrukh Shahab Siddiqi, Naila Wasim, Najam Yaseen, Saima Gillani, Tanvir Ahmed, Zeeshan Ejaz Syed, Women Executive Members: Nadia Zia and Ursala Nazar Abbas.

Engr. Mohammad Khalid announced the Bylaws results which were approved by members and invited the newly elected president Engr. Imran Ahmed to address the members. Engr. Imran in his speech thanked the outgoing board for their excellent last two years performance & welcomed the new board to take NEDAC to new heights. He thanked the election commissioner for conducting smooth & fair elections and appreciated the bylaws committee for their effort to improve NEDAC bylaws.

The ceremony ended followed by Dinner and social interaction among members.





INTRODUCING THE NEW COMMITTEES

By Nadia Zia

NEDAC board members can proudly be classified as **'A' team**. Its members have a proven record of excellence, diligence, and dedication. One can imagine, with a team like such, it was hard to break into committees. But we had to so that concentrated effort could bring invaluable product.

It was decided that NEDAC would form 4 Committees – mainly because of the activities we conduct. The committee secretary was chosen on past experience and members volunteered upon their interest, thus forming a small group who geared their energies in bringing the best to all.

PROFESSIONAL DEVELOPMENT COMMITTEE (PDC)

Chaired by: Iram Bukhari
Members: Nazli Khan, Syed Shahid Chishty, Nadia Zia

Goals & Objective: Organize professional seminars on a quarterly basis – ranging in all subjects/fields so that all can benefit. In addition to this, PDC provides assistance to all NEDAC members regarding their career development and merging into the technical mainstream.

PUBLICATION COMMITTEE

Chaired by: Syed Shahid Chishty
Members: Nadia Zia, Ursula Nazar Abbas, Syed Zeeshan Ejaz, Farrukh Shahab Siddiqi

Goals And Objective: To organize the publication of a newsletter on a quarterly basis. This newsletter will update NEDAC members of all past, current and upcoming activities and will encompass valuable information as you see in the pages here!!

SOCIAL COMMITTEE

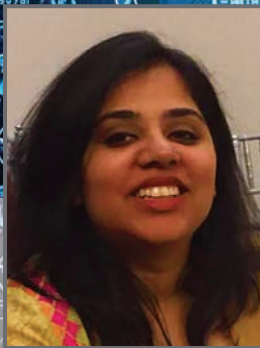
Chaired by: Muhammad Farooq
Members: Afzal Memon, Farrukh Shahab Siddiqi, Imran Ahmed, Islam Nabi Khan, Karamtullah, Najam Yaseen, Syed Shahid Chishty, Zeeshan Ejaz, Tanvir Ahmed, Tanvir Akhtar, Kashif Ali, Samina, Nazli Khan, Nadia Zia, Naila Wasim, Ursula Nazar Abbas, Saima Gillani

Goals and Objective: The committee was formed to organize social events – and we all love to socialize!! There is no minimum or maximum number defined here but we make sure that all opportunities to hold one are availed. In such events, NEDAC members interact with each other, share memories and laugh their hearts out!!!

MEMBERSHIP COMMITTEE

Chaired by: Karamatullah
Members: Imran Ahmed, Nazli Khan, Ursula Nazar Abbas, Zeeshan Ejaz, Islam Nabi, Syed Shahid Chishty, Saima Gillani

Goals and Objective: The idea behind this committee is to attract Nedians to NEDAC. The starting point will be to have them register. This will increase NEDAC's strength and widen its networking circle.



RECENT EVENTS

By Ursala Nazar Abbas

IFTAR PARTY

For the first time the NEDAC boards 6 year history, to show its appreciation for the NEDAC members, an IFTAR party was hosted by the NEDAC board.

The Iftar was hosted on June 17th, 2016 at Huron Park Community Centre, Mississauga. Around 200 plus guest attended. For the event, guest speaker Imam Aarij Anwer was invited to speak in accordance with the holy month of Ramadan and its importance.

The attendees were served with Rooh Afza, Dates and Samoosa to breakfast at the tables, while arrangements for jammata prayer was in place as well. At the same time, the food buffet was opened for all to enjoy food and finish off with dessert, which was specially prepared by Mrs. Farooq (Wife of Mr. Mohammad Farooq, Social Secretary and the brain behind the event) and Tea for everyone after a tiring day at work and fast.

In all, it was a wonderful gathering for NEDAC members to mingle with each other and to relax after a tiring day at work.



RECENT EVENTS, CONTINUED.

AN EVENING OF INTELLECT WITH ENG. AFTAB RIZVI

NEDAC Board in collaboration with Consulate of General of Pakistan, Toronto held an event on July 18th, 2016 'An Evening of Intellect with Eng. Aftab Rizvi' to honour his contributions to Urdu Literature in Canada.

Mr. Ghalib Iqbal (Former Ambassador of Pakistan in France) had specially flown in from France to attend this event and shed some light on the personality of the charismatic Aftab Rizvi.

Also in attendance were the Chief Guest Mr. S. M. Muneer Chairman Trade Development Authority of Pakistan (TDAP), Pakistan, Mr. Asghar Ali Golo , Ex-Consul General Pakistan, Toronto, and Ms. Salma Ataullahjan, Senator, Canada.

Media personals were also present to cover the whole event, including GEO, ARY, and local stations.

The guest started arriving sharp at 7:00 p.m and by 7:30 the program began with Tilawat, introduction, and short speeches by Mr. Imran Ahmed (President, NEDAC) and Mr. Mohammad Farooq (Social Secretary, NEDAC). Eng. Aftab Rizvi, along with Mr. Ghalib was then presented with flower Bouquet.

The event progressed with Aftab Rizvi enthralling the audience with his unique stories and life experiences.

After Maghrib prayers, Mr. Ghalib Iqbal was asked to share his experience and reflect on time spent with Eng. Aftab Rizvi, followed by Eng. Aftab Rizvi reciting his short story 'MA Jee'.

Mr. S M Muneer concluded the event with his closing remarks and food served. Ghazal program which commenced after the show was greatly appreciated and thoroughly enjoyed by the audience.



RECENT EVENTS, CONTINUED.

ANNUAL PICNIC

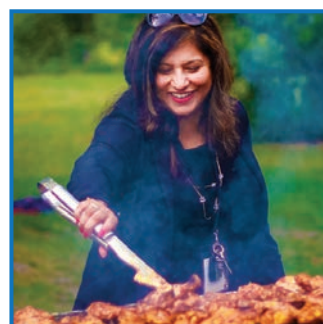
For a change this year the NEDAC annual picnic was held at Boyd Conservation Area, 8379 Islington Avenue, Ontario. Keeping in mind that it was held on August 13th, 2016, the board members all dressed in green. The event was partially sponsored by PAK National Foods and they brought in their products from the 'TAAZA' product line and 'SAFA' product line.

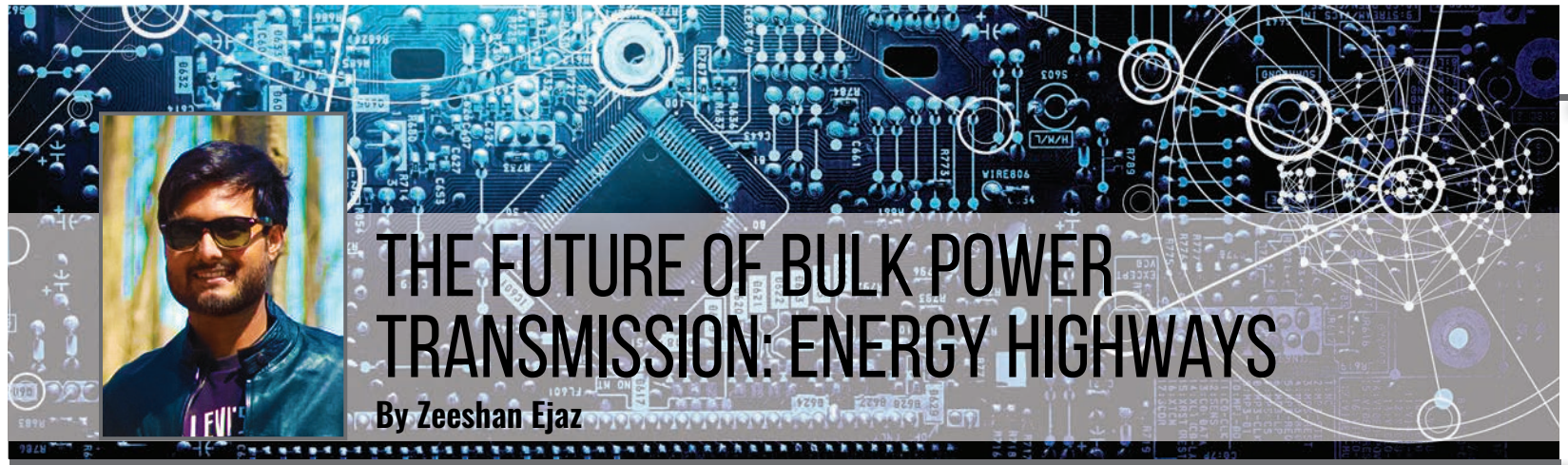
NEDAC boards members were up and about at the picnic spot at 9:00 a.m in order to prepare and get BBQ underway in anticipation of the guest arrival by 11:00 a.m. Also, a team from Pak National were on site to set up their flyer and deliver snacks and frozen goods.

Guests started arriving from 11:00 a.m., by that time the BBQ was full underway. The picnic was in full swing. With good food and atmosphere being enjoyed. Tug of war was being played by kids, adults, ladies and everyone and anyone present, cricket was fully underway, but alas mother nature had other plans in mind.

What started as a light shower, became a thunderstorm c/w lightning. Every guest was huddled underneath the shed keeping in mind such a scenario. At that point, the food was served and being the resilient kind and able to prosper in any kind of situation the NEDAC board managed to make do with the loss of food which occurred due to the thunderstorm and high winds.

Like they say every cloud has a silver lining, I'd like to say, every storm has a silver lining and also that where there is a will there is a way. Even after the severe thunderstorm and food loss, we managed as a unit and by the time the sun came out everyone was singing at top of their lungs and performing the Pakistan National Anthem. Ice cream was also served to all guests but unfortunately as planned there was no Doodh Paatii. Everyone did get their cup of Tea after an exhausting afternoon of adventure, rain and more.

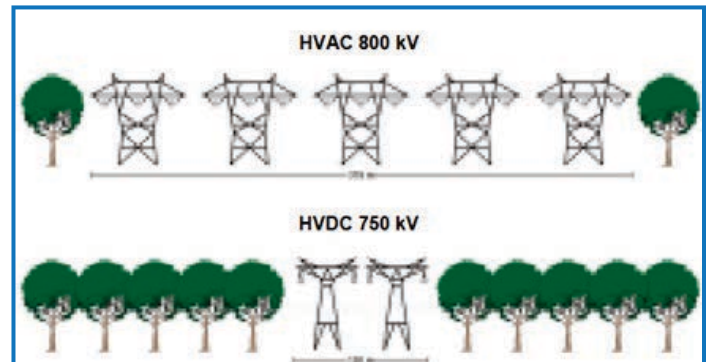




THE FUTURE OF BULK POWER TRANSMISSION: ENERGY HIGHWAYS

By Zeeshan Ejaz

The progressive worldwide urbanization and development of megacities with more than 10 million inhabitants has created a need for power transmission system which can transmit power to such higher values which have never been implemented before. Conventional AC transmission has reached a maximum power capacity of almost 5000MW but has been installed for a distance of only 650km with a huge price tag of 1.1 Billion CAD. Now connecting the remote generation to the load centers which are at a significant distance from the load centers is totally not feasible with AC transmission where the cost of the transmission line is 2Million \$ per kilometers. The breakeven point where DC comes into the picture is 500km right now but with the increase in the controls technology the breakeven point is expected to be decreased even further. Transmission networks and distribution systems are now forced to interconnect increasingly longer distances, and efficiency and reliability of the power supply plays an important role, black out is no more an option. HVDC` transmission is the only expedient method, in terms of both technology and efficiency. High-voltage direct-current transmission is the only technically and economically viable solution. With the help of HVDC technology, DC Energy highways are being constructed which are used to transmit a cleaner bulk amount of energy to load centers within the grid having same operating parameters but also expanding the horizons of interconnection grids with different operating parameters providing the advantage of asynchronous operations which is known as Back-to-Back configuration of HVDC. With these DC energy highways, electric power can be transmitted from huge hydropower plants in the remote regions of the country to the load centers located as far as 2,000 to 3,000 km away with as little losses as possible and will save the emission of millions of tons of CO a year. The cases which are going to be discussed in this article have their very own significance being one of the most prominent around the world and a marvel of their own.



HVDC links are classified into three types.

- 1 - Monopolar
- 2 - Bipolar
- 3 - Homopolar

Monopolar link – It has a single conductor of negative polarity and uses earth or sea for the return path of current. But this link has several disadvantages because it uses earth as a return path. Monopolar link is not much in use nowadays.

Bipolar link – A bipolar link has two conductors, one positive and the other negative with respect to earth. The midpoints of converters at each terminal station are earthed via electrode lines. The voltage between the conductors is equal to two times the voltages between either of the two conductors and ground.

Since one conductor is at the positive polarity with respect to earth and other is at negative polarity with respect to earth. In bipolar link when one pole goes out of operation, the system may be changed to the monopolar mode with the ground return. Thus, the system continues to supply the half rated power. Bipolar links are most commonly used in all high power HVDC systems.

Homopolar link– It has two conductors of the same polarity usually negative polarity, and always operates with earth or metallic return. In the homopolar link, poles are operated in parallel, which reduces the insulation cost. This system is not used presently.

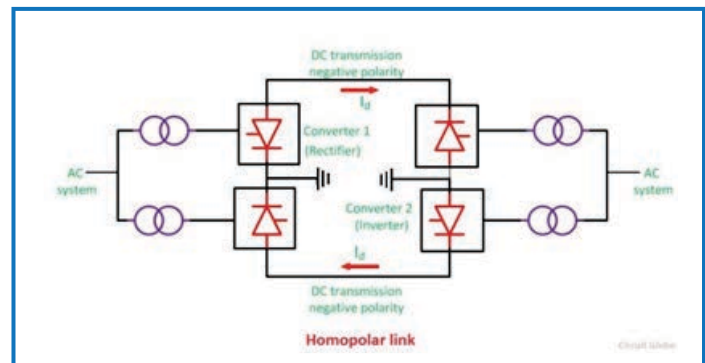
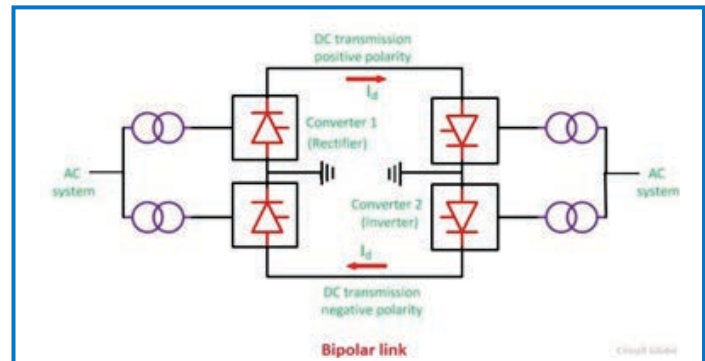
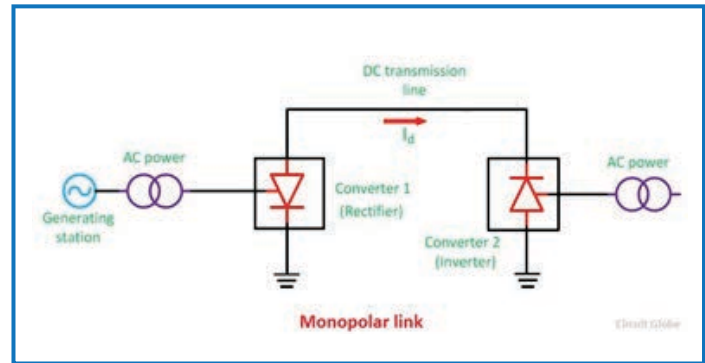
The following projects are going to be discussed in this article.

- Rio-Madeira, Brazil (World’s longest transmission line)
- Jinping-Sunan, China (Worlds’ most powerful transmission line)

The above mentioned HVDC projects are going to be explored on the following aspects:

- Problem faced by the utility
- Why conventional solutions were not found to be sufficient
- Need of High Voltage DC Transmission

Continued on Page 12, Energy Highways



RIO – MADEIRA, BRAZIL

The Rio – Madeira HVDC System comprises of a total of 7100 MW of converter capacity required to transmit the power from the hydroelectric plants of Santo Antonio and Jirau, located on the Madeira River close to Porto Velho, to local load centers and to the main consuming areas in south-eastern Brazil which are 2,375km away.

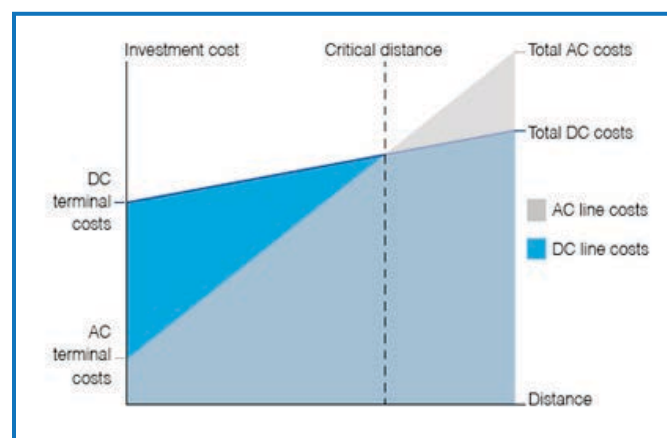
A. Issue

95% of Brazil's power demands are met from the hydro-generation which is at the northwest side and main load centers are located in the coastal regions, especially in the southeastern state of São Paulo. Now the problem is transmitting bulk power from the hydroelectric plants located at Porto Velho to the main consuming areas in the southeastern Brazil which are at a significant distance from the location of the generation. The other problem was the weak 230kV system of the state of Acre and Rondônia whereas the major part of the national interconnected grid system employs 500kV.



B. Remedy

To address the problem of long distance bulk power transmission of the 6300MW hydroelectric complex at Madeira and asynchronous operation of the neighboring grid of Acre and Rondônia, HVDC is the only possible and economical option. Because the cost for the AC transmission over a distance of 2,375km, which was the required length of transmission for Rio – Madeira project, is going to be much higher than that of HVDC transmission. With AC transmission, asynchronous operation is not possible as well; interconnecting grids have to be synchronized for AC transmission.



HVDC has lower losses across longer distances and a smaller footprint than traditional AC transmission systems. It is also able to stabilize intermittent power supplies that might otherwise disrupt the grid. For these reasons, it is the technology of choice for long-distance transmission projects which can deliver electricity from remote generation sources to the centers where it is needed. If considering HVDC and EHVAC lines from a transmission capacity point of view, the HVDC lines are principally limited only by the thermal loading capability since there are no reactive power constraints, therefore, making it a feasible option for the transmission of bulk power.

C. HVDC Design

The HVDC design for the Rio – Madeira project consists of two Bipoles. Bipole 1 is rated 3150 MW, \pm 600 kV, at the rectifier and employs a configuration with one converter per pole. The supplier for Bipole 1 is ABB. Bipole 2 is also rated at 3150 MW, \pm 600 kV, at the rectifier which is supplied by ALSTOM. Rio Madeira collector system also feeds the very weak Acre-Rondônia 230 kV system via two back-to-back blocks, each 400 MW, which are also supplied by ABB. Thyristor valves used here are air-insulated, water-cooled, suspended from the ceiling of the valve hall and using 125mm diameter thyristors. The design for Rio – Madeira project is divided into two sections, one is the design of \pm 600kV HVDC Rio – Madeira system and the other is Back-to-Back system to Acre- Rondônia. The back to back system is used to connect two grids with different operating parameters.



HVDC INSULATORS FOR RIO-MADEIRA



CONVERTER STATION TRANSFORMER



SMOOTHING REACTORS

JINPING-SUNAN, CHINA

The massive 2,090 km HVDC power link is responsible for transmitting clean excess hydroelectric power from Yalong River in Sichuan province from central western China to highly industrial coastal area in the eastern province of Jiangsu. The link is rated at a capacity of 7,200 MW and 7,600 MW continuous overload. It is also capable of transmitting 7,920 MW for continuous 2 hours with record-breaking DC current handling of more than 5,000 Amperes. The capability to transfer huge amount of power and holding over-current for this much duration was responsible for making this line World's most powerful transmission line. After this project, implementing the same Thyristor valve technology, even higher voltage level and transmission capacity projects are under construction.



Continued on Page 14, Energy Highways

Continued from Page 13, Energy Highways

A. Issue

The coastal area of Eastern province of China is highly industrial and its energy demand is growing with the passage of time. Projecting its demand increase ratio with time, it was observed that huge energy resources will be required in future to meet the energy requirements of this industrial area. On the other end, China got an excess amount of power in Central western part in Yalong river and the major production is from hydro-electric and coal. So, it was decided to transfer power from Yalong River to this area but the problem was that total distance between source and load was around 2,090 km.

B. Remedy

To address the problem of transmitting power from excess region to area where it was required, UHVDC was the only feasible solution because the distance was way more than the critical distance.

C. HVDC Design

HVDC system for this network is bi-polar having rated voltage level of ± 800 kV and can capable of transmitting 7,200 MW rated power. The UHVDC transformers at converting stations are designed by ABB.

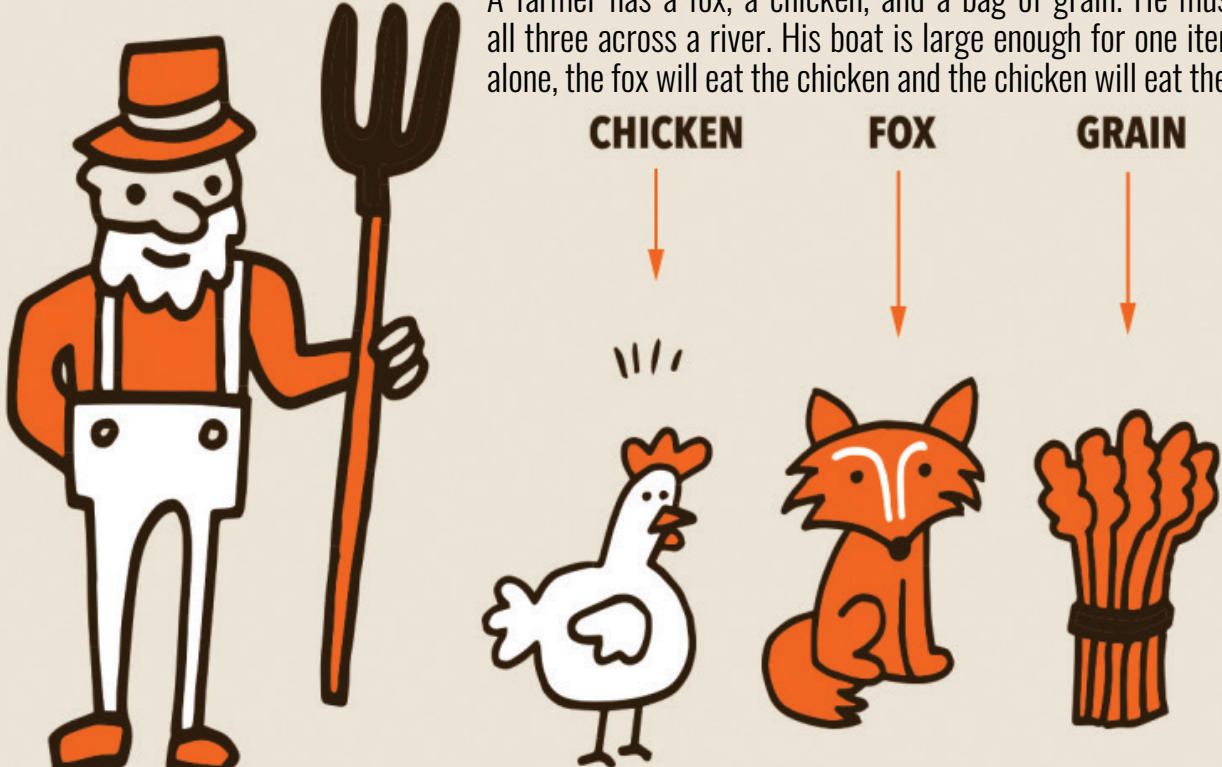


CONCLUSION

The bottom line is that advanced controllability of HVDC system makes it feasible for many situations like it can be used for transferring energy from remotely located areas to the places where it is needed and the distance between generation and load is more than 500 km as discussed in Rio-Madeira and Jinping-Sunan cases. Also, losses in HVDC are resistive so it gives the flexibility to operate our transmission system up to its thermal limits. It also got smaller footprints compared to AC system hence less impact on the environment. Furthermore, it can also be used for asynchronous operations like connecting two grids of different operating parameters like voltage and frequency as discussed in Rio-Madeira Transmission project. It can also help in making the weak system stronger by connecting it with the stronger system via back to back configuration. Hence, HVDC has transformed the dream of transmitting power from unimaginably large distances into reality, comparison of all three cases has been discussed in the table mentioned below.

| Comparison of the Cases Discussed and Reason for Choosing HVDC Cases: | Rio-Madeira | Jinping-Sunan |
|---|---|------------------------------|
| Company | ABB | ABB |
| Commissioning Year | 2013 | 2013 |
| Power Rating | 3,150 MW 2 x 400 MW (back to back) | 7,200 MW (7,600 MW) |
| DC Voltage | ± 600 kV | ± 800 kV |
| Length of DC Overhead Line | 2,375 km | 2093.5 km |
| Type of DC link | Bipolar | Bipolar |
| Main reason for choosing HVDC | Long distance, B2B: asynchronous operation | Long distance |
| Application | Connecting remote generation, interconnecting grids | Connecting remote generation |

BRAIN TEASER



A farmer has a fox, a chicken, and a bag of grain. He must take all three across a river. His boat is large enough for one item. Left alone, the fox will eat the chicken and the chicken will eat the grain.

CHICKEN **FOX** **GRAIN**

How can the farmer take all three across the river?

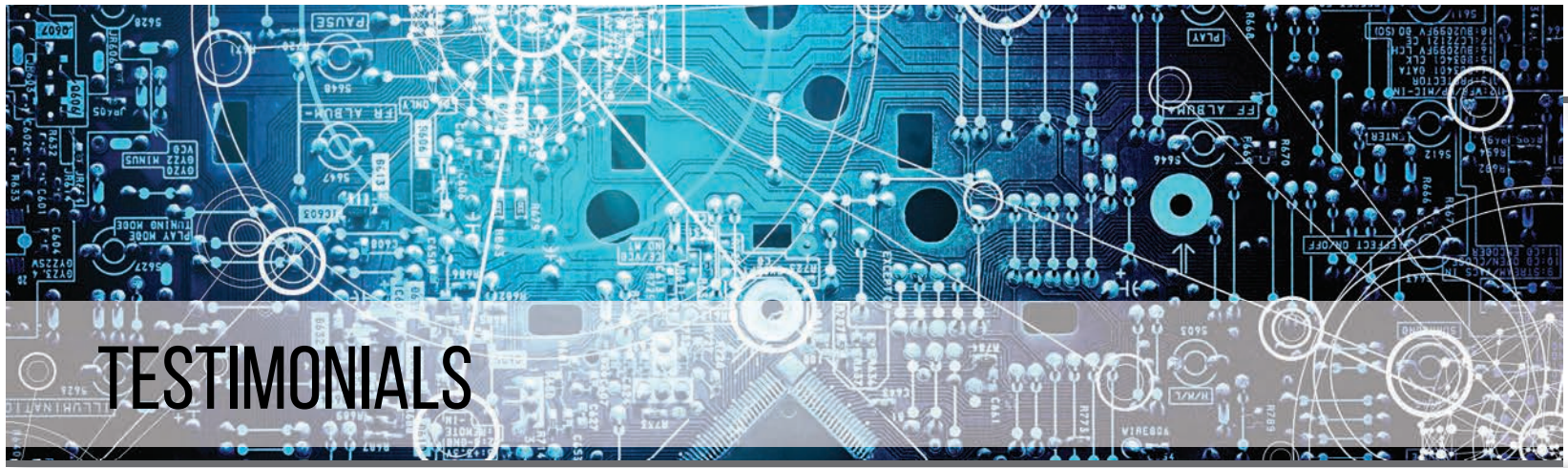
Saima Gillani
sales representative B.E. Civil ENG

Direct (416) 550-0291
mygtaagent@gmail.com | saimagillani.ca



Sutton Group-Summit Realty Inc.
Independently Owned and Operated
27-1100 Burhamthorpe Rd. W., Mississauga, ON
L5C 4G4 - Office: (905) 897-9555





TESTIMONIALS

“Never before we have witnessed such an amazing display of solidarity, unity, brotherhood and love by and between all the Board Members and with all the rest of the NEDAC members as what we saw in the NEDAC Annual Picnic when they stood steadfast against all odds in that heavy tornado-like storm which appeared to be so strong at times to have blown away the roof of the shed. And there were very young kids as young as newborn under that shed right in the middle of that very heavy downpour and ear shattering lightning.

“Our lives are not determined by what happens to us, but how we react to what happens”

We salute the entire Board with deepest appreciation and thankfulness for working non-stop tirelessly that day to make all attendees safe and comfortable. They offered food to everyone but to themselves (due to accidental loss of food for some 15-20 persons) and continued to work cheerfully and so focused that may be our Lord (swt) was so pleased that HE pulled away all that storm and all that water was gone, grass was dry and then the real picnic started with games, ice creams, watermelon slices and finally very tasteful hot tea (Jaisey Dhabe Ki Chai)... being served Board Ladies and Mrs. Imran.

And then the amazing support we saw throughout from the previous Board Members and their families Arif Bhai and Uzma Bhabi, Khalid Bhai and Asia Bhabi working tirelessly side by side the current President Imran and Afia Bhabi to help run the show to its height.... well-done team and well done true friends of NEDAC...And of course, Social Secretary Farooq was all over ensuring that everybody is well fed and well taken care of. And then Ladies Board Members simply amazing display of hard and dedicated work to help make NEDAC succeed ... Thank YOU all...

And one Board Member Shahid Chishty rose to all new heights of love for NEDAC Members/attendees. He was serving various flavors of ice cream non-stop tirelessly under the Ice cream parlor tent to all attendees, first serving then second and then third to whoever was lining up there. Then once everyone was fully served including men, women and all kids, he went to the shed and to the field and was calling everybody for additional service. I heard him saying, “This is the first time that a free ice cream is being served and nobody is coming to take more...”

We have never seen such display of love, care and passion that day by the entire NEDAC Team of Board and of earlier Boards as supporters for a NEDAC event to provide the best for its members and their families attendees.”



“Dear Imran,

Under your so caring and passionate leadership and with such beautiful persons in the Board, Men and Women Engineers, we are very happy to see such heights against all odds that you have overcome from the past and are successfully taking NEDAC to newer heights. Congratulations and best wishes.”

- Osaid Sadeqa and Family

“I would like to congratulate NEDAC Board for their outstanding picnic event yesterday. I was completely stunned watching how gracefully Board managed to handle the loss of food due to storm and they themselves volunteered not to eat and serve food to NEDAC members and guests. The Board’s dedication and devotion to duty was obvious. Hats off for Social Sec. Farooq and his team for a very difficult job well done. BBQ for 200 plus persons is a job no one could dare to take in hand with so limited resources. Well done NEDAC!”

- Mohammad Khalid, Electrical 1974

“Although I personally know Aftab’s skills and in-depth knowledge of literature , but it was good to know, he is not only contributing and supporting NEDAC but also providing excellent services to promote our literature and Virsa. Heartiest congratulation to Imran, Islam, Farooq and his team to organize a great, memorable evening.”

- Idrees Khan



4803 Bloomburg Drive
Mississauga, ON, L5M 7K4

EMAIL | WEBSITE

shahid.chishti@gmail.com
NEDAlumniCanada.org