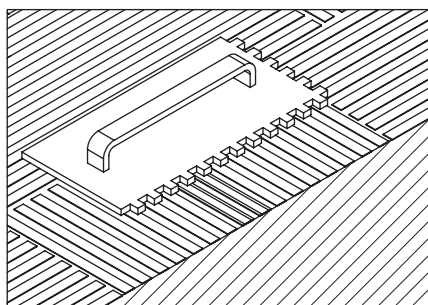
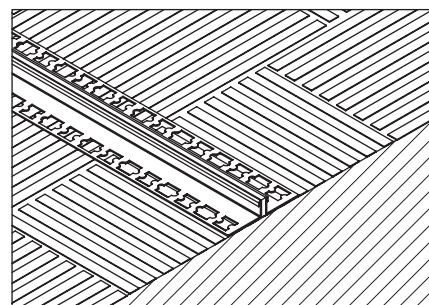


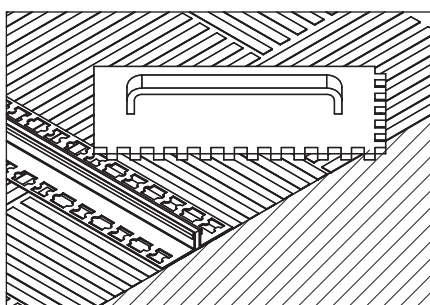
1 Pick the correct profile according to the flooring thickness.



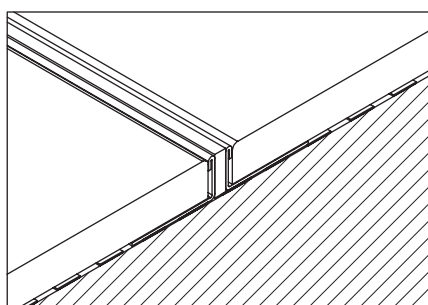
2 Apply joint and place the profiles anchor accordingly.



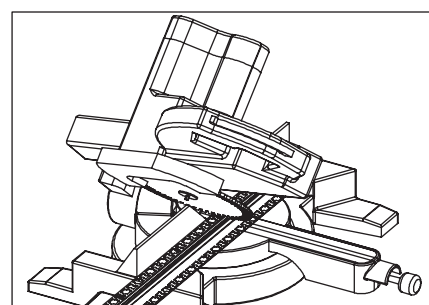
3 Press the profile until it is fixed to the joint.



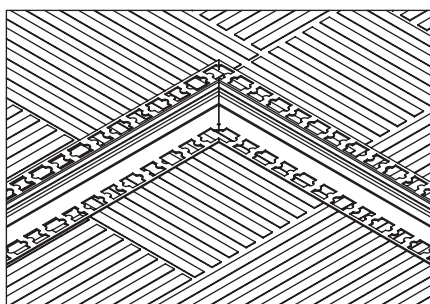
4 Apply joint to the places where the flooring will be placed.



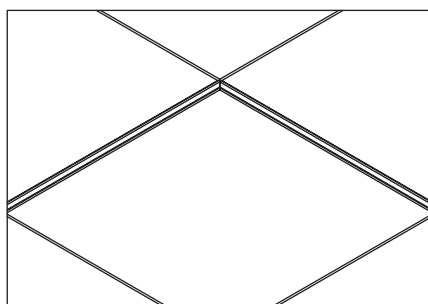
5 Place and align the flooring to the profile.



6 Cut profiles 45 degrees for corners.



7 Align the profiles at the corners and press them into the joint.



8 Place and align the flooring to the profile.