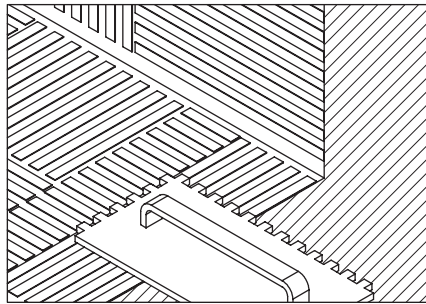
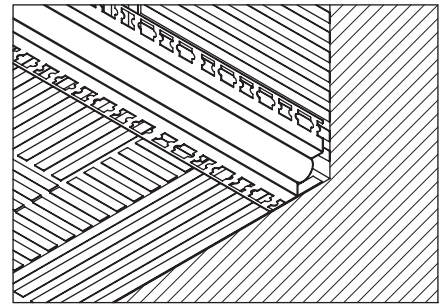


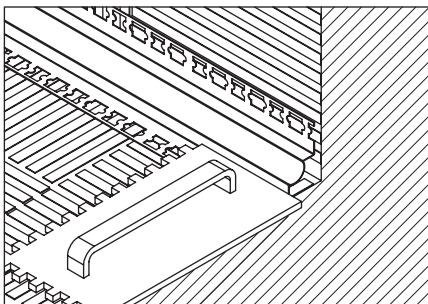
1 Pick the correct profile according to the tile thickness.



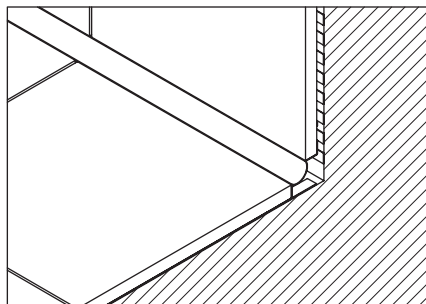
2 Apply joint and place the profiles anchor accordingly.



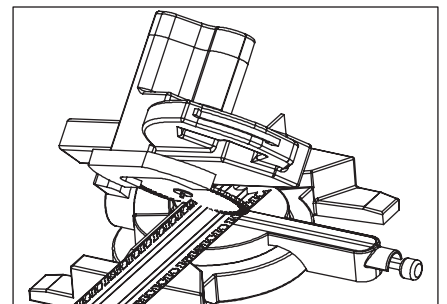
3 Press the profile until it is fixed to the joint.



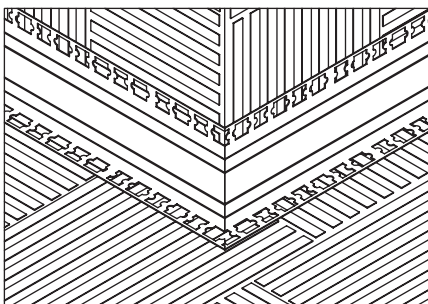
4 Apply joint to the places where the ceramics will be placed.



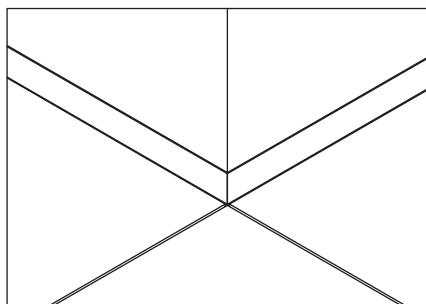
5 Place and align the ceramics to the profile.



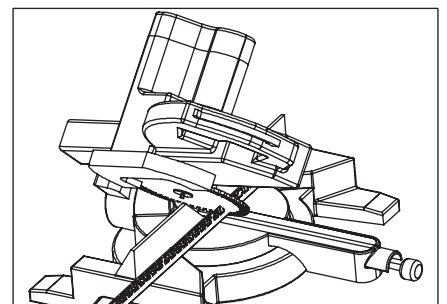
6 Cut profiles 45 degrees for external corners.



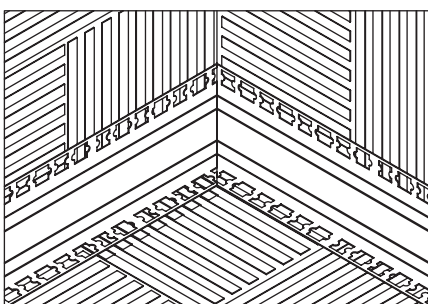
7 Align the profiles at the external corners and press them into the joint.



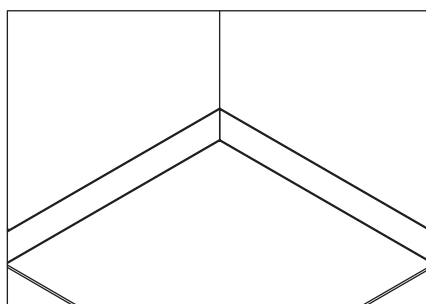
8 Place and align the ceramics to the profile.



9 Cut profiles 45 degrees for internal corners.



10 Align the profiles at the internal corners and press them into the joint.



11 Place and align the ceramics to the profile.