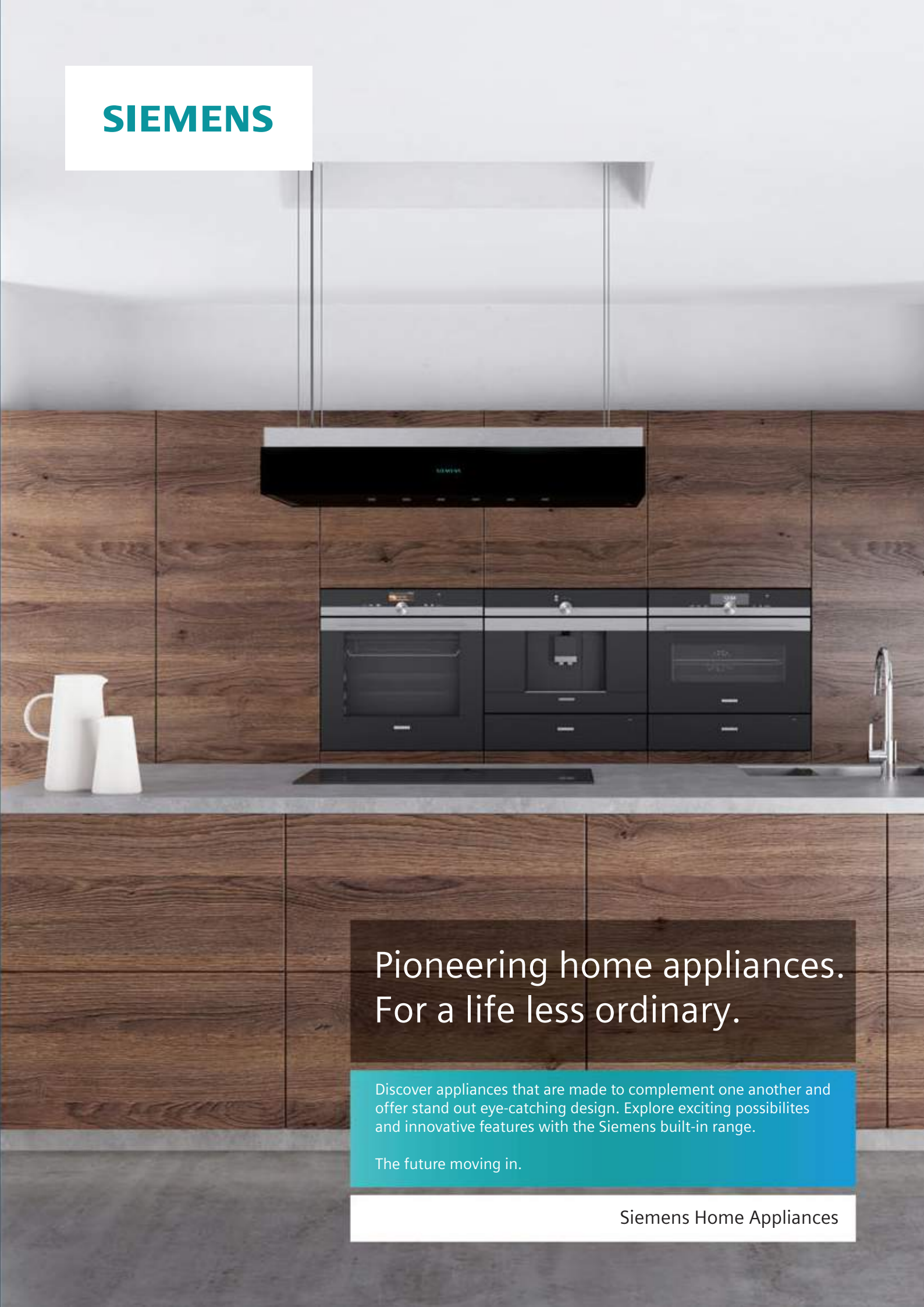




SIEMENS



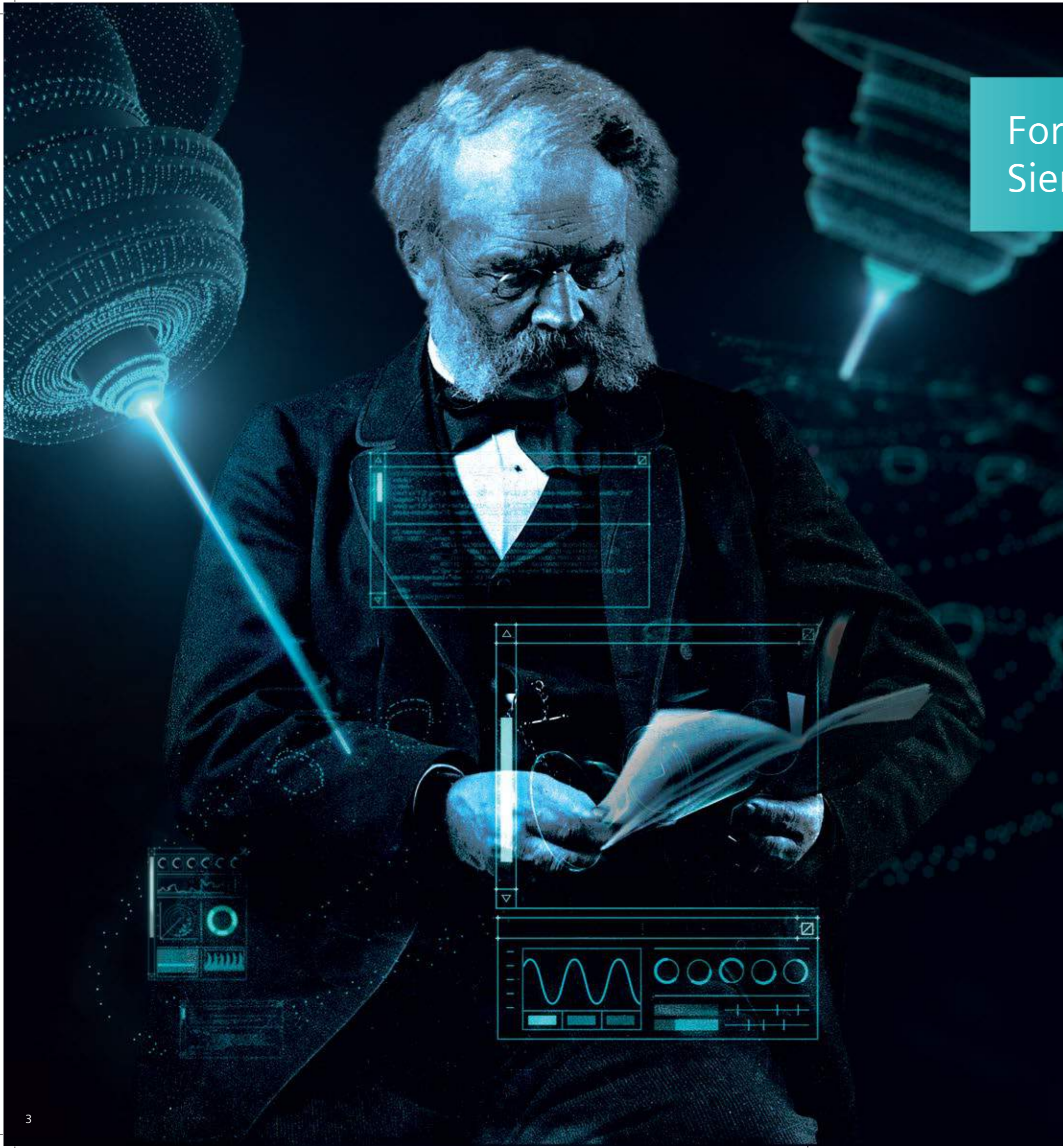
Pioneering home appliances.
For a life less ordinary.

Discover appliances that are made to complement one another and offer stand out eye-catching design. Explore exciting possibilities and innovative features with the Siemens built-in range.

The future moving in.

Siemens Home Appliances





For more than 174 years,
Siemens has been a pioneer.

“We don’t just pursue visions – we make dreams a reality.”
– ***Werner von Siemens***

Our story began in 1847 in Berlin, Germany. When the founder of our company, Werner von Siemens, came to Berlin he had nothing more than just the dream “of an enterprise that, through its own inventions and its entrepreneurial vision, contributes to enhancing the knowledge of humanity.”

For more than 174 years, Siemens has been a German industrial and technological brand, spanning the entire breadth of the electrical engineering industry. No wonder, with a series of inventions that have truly revolutionized the life of mankind, Siemens is most decisively Europe’s Leading Built-in Appliance brand today.



Introducing coordinated and intelligently designed appliances by Siemens.

Introducing coordinated and intelligently designed appliances by Siemens. Offering you the perfect balance between modern design and innovative technology our range has different collections including iQ700; products with eye-catching design, cutting-edge technology and big, bright and more intuitive displays. Our StudioLine range offers style with technology and forms a part of an ambitious lifestyle and gives an expression of individuality. iQ500 range brings the latest innovations and exclusive designs allowing you to experience first-class appliances in your home. iQ300 range offers more affordable options with the same level of design and style.

Discover the entire built-in range – for even more flexibility and time-saving solutions which help support increasingly busy lifestyles. Siemens appliances include ovens that save time by speeding up the cooking process with varioSpeed, dishwashers that feature the world's only Zeolith® drying system; a technological innovation that sets new standards for performance and energy efficiency. In addition our range features fridges with hyperFresh food preservation to help keep food fresh for longer and outstanding freezers that never have to be defrosted. All working together to create a spectacular built-in kitchen and utility space in your home.

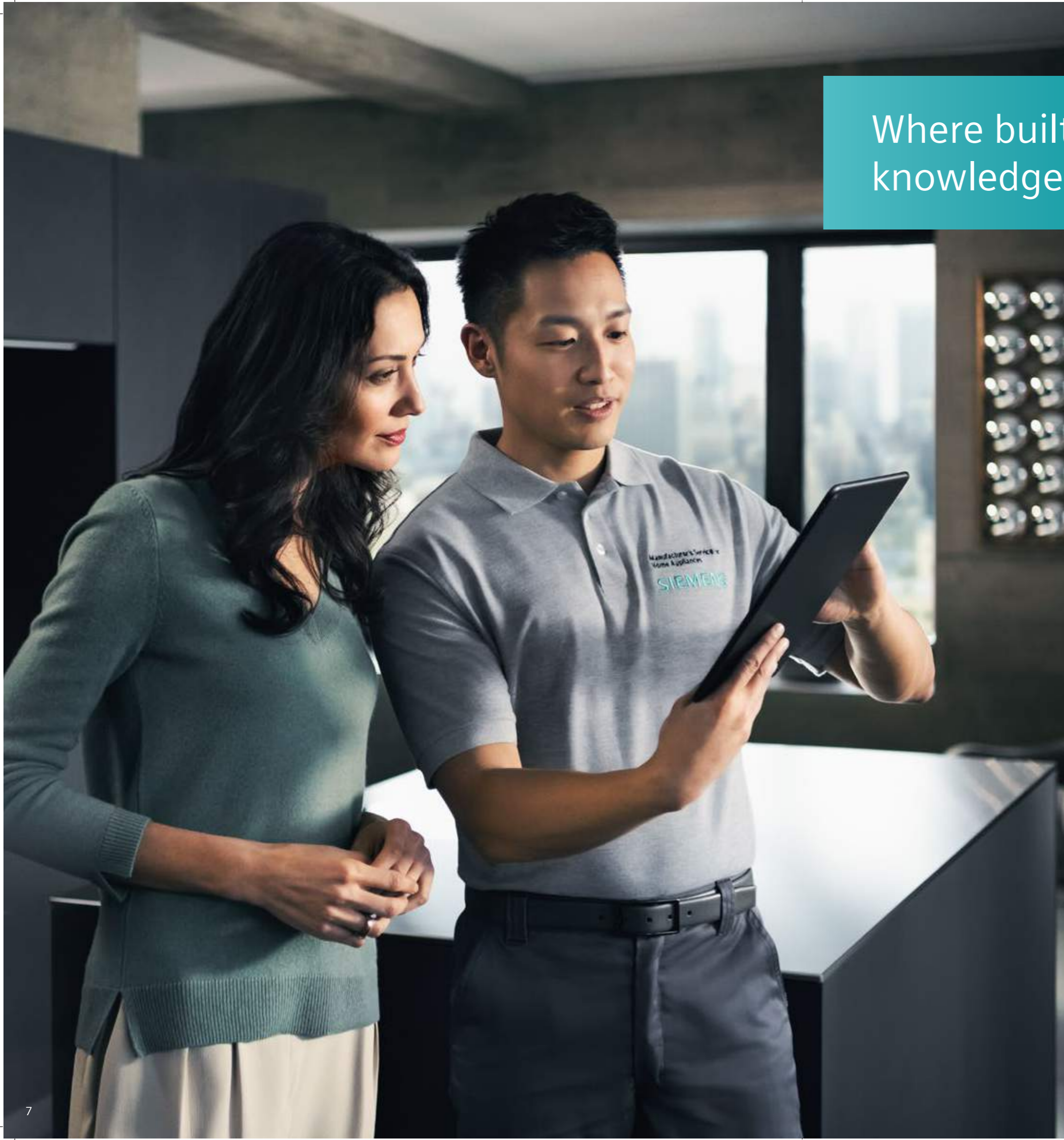
Stunning design and high quality materials come as standard with all Siemens appliances.

Siemens No. 1 Home Appliances Brand in Germany*

Discover a top brand with outstanding performances, setting new benchmarks for kitchens throughout Europe.

Source: Euromonitor, per Major Domestic Appliance definitions volume brand sales, 2020

Where built-in appliances personify knowledge and expertise.



Siemens, being a built-in expert will take care of everything for you, from delivery to installation. We will look after every step, so that you can sit back and relax.

Wider service network

We have the largest distribution network in India via our kitchen dealers. With an impressive presence across the length and breadth of India at all major cities, we are geared to change the way India savours the cooking experience.

Professional installation

At Siemens, we ensure all installations are carried out keeping in mind the highest quality standards. The built-in appliances are well fitted into the kitchen cabinets. What's more, we even test your appliance after installation and also offer you a briefing on basic setting and operation.

Choosing the most suitable appliances

We learn from our customers and take their cooking habit into consideration when it comes to choosing appliances. Not to mention, we will also take note on the layout of your kitchen to ensure your appliances can be fully utilised. At Siemens, our experienced team could give valuable advice and make certain your appliances are your best choice.

Kitchen planning

At Siemens, we understand that working on the kitchen can be quite tiring if it is not well-planned, especially from an ergonomic point of view. Our expert could pay an onsite visit before installation and work hand-in-hand with your kitchen specialist to create a perfect and harmonious kitchen for your home.

At Siemens, we are determined to bring you a worry-free and enjoyable product experience.

Every connection lets your world grow.

Take the next step into the future:

Discover how new connections redefine your daily life with Siemens and Home Connect.

Wi-Fi enabled Home Appliances can already be operated through the Home Connect App, and now this technology connects your appliances with services of different partners – turning your house into a connected home.

This connectivity creates new possibilities and opportunities in your living space; such as changing the colour of your range hood to change the ambience of the kitchen, or setting up your oven using Amazon Alexa voice control, technology which both enriches and offers you more time and flexibility.

Ovens

- **recipeWorld:** Discover a large and delicious variety of Siemens approved recipes. Select your favourite via the app and send the settings directly to the oven, straight from your mobile, tablet or smart device.

- Operate the oven and coffee machine intuitively from wherever you are, for instance preheat your oven while you are on your way home or rinse your coffee machine from your bed when you wake up in the morning, ready for the day ahead.

Hobs and Hoods

- **emotionLight Pro:** Change the ambience of the kitchen by projecting a different colour of light from your hood. Access up to 256 colours via the Home Connect App, perfect for parties.

- **Cooking assistant:** Use the assist tab on the Home Connect App when using the hob to help you find or select cooking methods. Send the settings directly to your hob for easier and quicker evening meals.

- With both hobs and hoods you can conveniently monitor your appliances' cooking status, turn appliances on or off or change the cooking settings via your Home Connect App, from wherever you are.

- Push notifications are a helpful guide notifying you when your appliance needs maintenance attention, such as letting you know whether you have switched off the appliances.



Dishwashers

- Always the right programme – Home Connect Dishwasher Systematic washing up. Simply select a program and keep an eye on the status with the Home Connect app.

- Get a notification when the dishwasher tabs are running out. The tab counter is convenient and helpful. In your Home Connect app, simply enter how many dishwasher tablets you have bought and get the tablet counter to monitor them – whether you start the dishwasher yourself or via the app.

- **Favourites :** Favourites was designed for programs used on a regular basis. Instead of going through the same process every time you start a particular program, you can now simply tap on your specific favorite with your pre-defined individual settings.

- **Remote Monitoring :** The Home Connect app can notify you once your dishwasher's cycle is complete, so you'll know when it's ready to be unloaded.

- **Leak Protection :** In the rare event a leak should occur, your dish-washer will immediately send an alert on your smartphone, ensuring a little problem doesn't become a bigger one.



Our world has turned into an ever-growing network of partner services, to help you turn your house into a fully connected home.

Amazon Alexa: Home Connect lets you easily control your connected home appliances via Amazon Echo or Amazon Echo Dot. Use your voice to start programs, make settings or simply to ask about a current status. Not only can you connect your home appliances to the Internet, you can also benefit from a number of digital products and services.

Google Assistant: With Home Connect now available on the Google Assistant, interacting with your appliances via voice is now easier than ever before. Whether you are using a Smartphone, the Google Nest Hub, the Google Home Mini, or the Google Home, just say, "Ok Google" to get started.

IFTTT: Thanks to IFTTT (If This Then That), you can connect a large number of services and appliances that you use on a daily basis – such as Home Connect appliances. These connections and/or application scenarios, or quite simply "recipes", are created by a simple instruction: If This Then That. "This" is the trigger and "that" is an action which is triggered as a result. If, for example, the washing machine has finished, my Philips Hue light should flash.

Kitchen Stories: Bring variety to your food and to your menu. From Japanese cheesecake to hearty gnocchi – find your favorite dish amongst the abundance of recipes. Elevate your culinary skills to a new level and impress your family and friends. Make your food into an experience. Be inspired by new recipes and try them out straight away with Kitchen Stories.

Zelish: Bring home the convenience of a personal assistant <https://www.home-connect.co.in/connected-partners> in your kitchen that can understand all your food preferences & dietary restrictions to plan a delicious and exciting menu, tailor-made for you based on the ingredients you have in your kitchen.

Discover from a range of over 2000 curated recipes across various cuisines such as North Indian, South Indian, Asian, European, Japanese, American, Mexican etc. Take advantage of the automated shopping lists scaled to the right servings based on your menu, coupled with instant grocery delivery right at your doorstep. All this, in under 2 mins with Zelish.



For more information, scan this QR code

Welcome home.

Hobs **13**

inductionAir venting hob.....25-26

Gas Hobs.....45-50

Domino hobs51-54

flexInduction hob.....55

studioLine flexInduction hob.....56

Accessories.....57

Rangehoods **59**

Island Hoods.....73-74

Wall Mounted Hoods.....75-82

Telescopic Hoods.....83-86

studioLine Hoods.....87-92

Ovens **93**

Single Ovens.111-112

Combination Steam Ovens.....113-114

Combination Microwave Ovens.....115

Compact Combination Steam Ovens.....117-118

studioLine Ovens.....119-120

Microwaves.....121-124

Companion Appliances **125**

Coffee Centre.....129-130

Warmer Drawer.....131-132

Accessories.....133-134

Dishwashers **135**

Fully Integrated.....150

Semi Integrated.....151-152

Free standing.....153

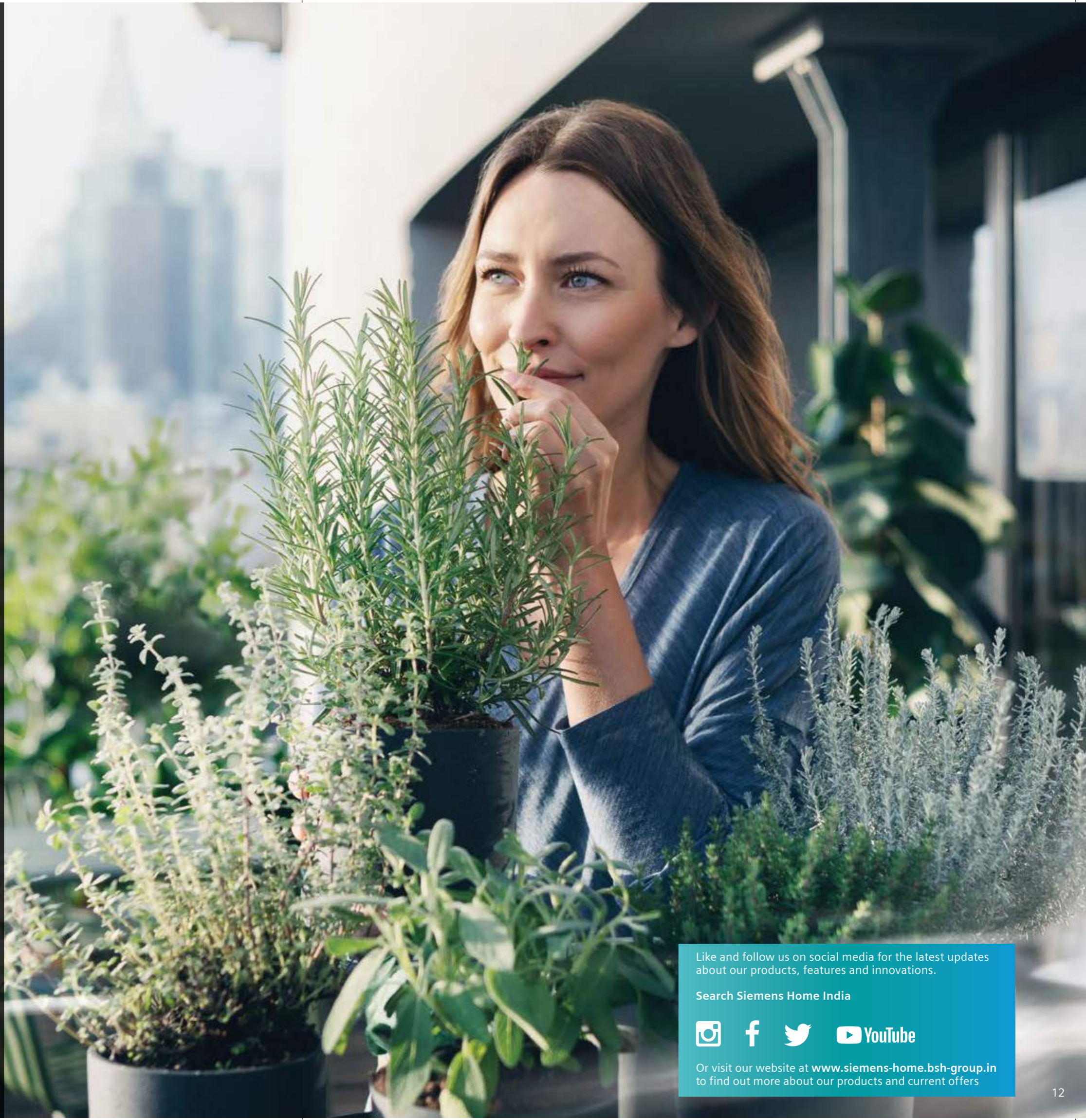
Cooling **155**

aCool Range175-178

Cool Concept Range.....179-184

TwinCentre.....185-186

Side-by-side Refrigerators.....187-190



Like and follow us on social media for the latest updates about our products, features and innovations.

Search Siemens Home India





 YouTube

Or visit our website at www.siemens-home.bsh-group.in to find out more about our products and current offers

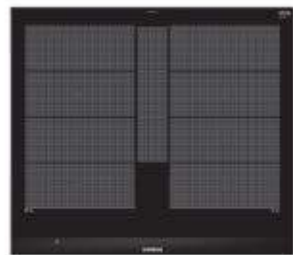
Introducing the Siemens hob collection.

With intelligent technology, elegant design aesthetic and practical yet impressive functionality, Siemens hobs bring excitement and ease when creating dishes.



inductionAir venting hobs

The inductionAir venting hob gives you the freedom to design your kitchen how you want to, with the added benefit of hassle-free cleaning. The innovative design means that the grease filters fit into an entirely detachable liquid tray unit which is designed to completely protect against spillages and over-boiled liquids.



flexInduction hobs

Siemens flexInduction hobs are a must for diverse cooking. The cooking area can be tailored to your needs, enabling you to use a small area as traditional induction hobs with four or five separate zones, for boiling rice, for example, or you can choose to link the zones together to form one zone for larger cooking pans.

With flexInduction Plus, your hob automatically knows how large your cookware is. This provides even heat with the use of an additional central zone if the hob detects that the pan is too large.



Gas hobs

Tradition meets innovation – with their modern functions, Siemens gas hobs provide enjoyment in cooking like a pro. Low profile, single piece burners on the glass complete the sleek appearance.



Domino hobs

Domino hobs can be installed alone or side by side with other types of compatible hobs. Domino cooking gives you more cooking options, for example the 40cm wide Teppan Yaki is ideal for combining with other Domino or faceted design cooktops to create a bespoke cooking area.

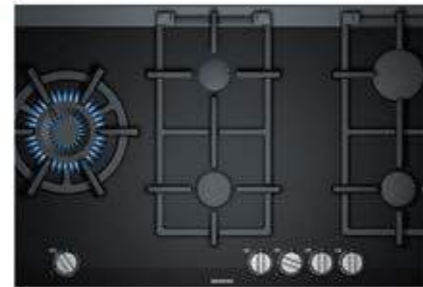
Choose the perfect hob for your kitchen.

A perfect finish suitable for any modern kitchen.

We aim to provide a wide selection of quality hob choices to ensure there is enough variety and colour-ways to choose from to match your kitchen style.



Black glass



Black ceramic glass



Black tempered glass



Stainless steel



Steel/black glass

Perfectly framed.

When considering a hob, you may also be thinking about the look you want to create as well as matching your appliance to other Siemens products. Siemens offers a variety of finishes to the hob frame; from stand out premium steel trims to sleek flushline trims that fit neatly in line with your worktop surface.



The perfect width.

Our hob range is available in a range of widths to suit your kitchen design and needs. Our choice of induction hobs come in 60, 80 and 90cm options, gas is available in 60 and 90cm options and venting hobs come in an 80cm option.

Putting your finger on innovation.



touchSlider



touchSlider

The ergonomic touchSlider sits flush to the appliance and allows you to slide your finger across the power level scale to the desired setting, with control advances in half-levels from 1 to 9. You can also touch the desired level directly for faster adjustments to the cooking zone temperature.

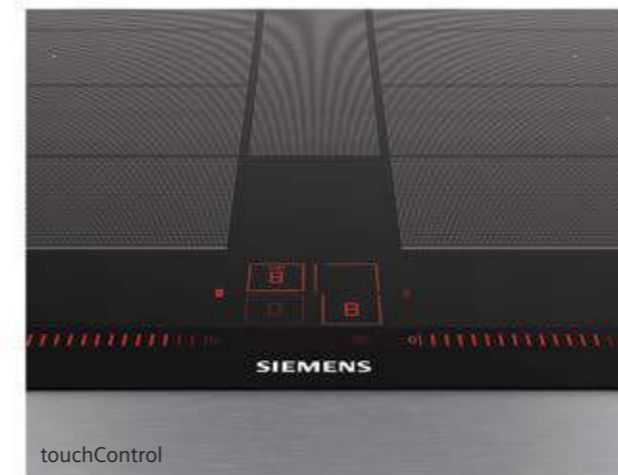


Dual lightSlider



Dual lightSlider

Operate with intuition. The dual lightSlider lets you easily select and join the cooking zones of the iQ700 Induction Hobs via one neatly arranged interface that illuminates when the hob is turned on. To adjust the power level of the cooking zones simply slide your finger along the lit scale or select the desired power level directly with precise control. When the hob is switched off, the controls are completely invisible for a sleek finish to your kitchen. As there are no protruding parts, cleaning is made even easier.

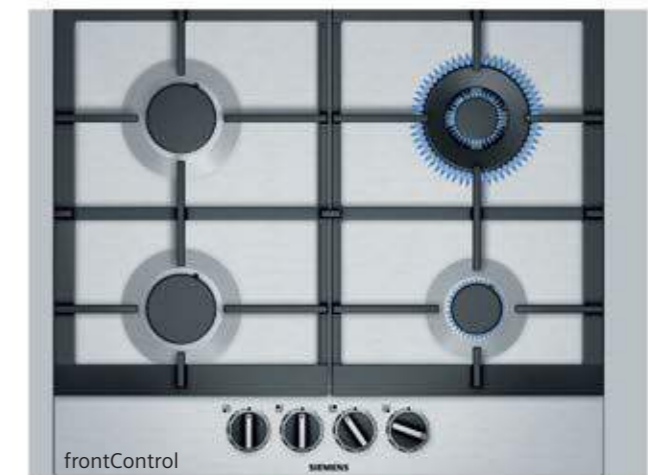


touchControl



touchControl

Thanks to advanced touchControl technology, Siemens hobs can be operated by simply touching the surface. This means the controls are seamlessly integrated into the surface and make cleaning even easier.



frontControl

frontControl

Gas hobs with frontControl feature all controls at the front of the appliance for ease of use.

Home is where the App is.

Manage your Siemens induction hob with Home Connect from wherever you are, what ever you do.

For more information, scan this QR code



Easy Monitoring

Turn On/Off your appliance remotely with your smart phone.

Remote Control

Set different timers for cooking zones or zone independent (egg timer, count-up timer) with audio signaling when running out.

Safe & Sound

Ability to active / deactivate child lock via app.

Hob Hood Sync

Induction hob can communicate with the Hood. Hood is activated automatically when cookware is heated (with preset fan level).

World of Recipes

Recipes with ingredients and preparation steps include recommended settings that can be transferred to cooktop with confirmation at cooktop UI.



Explore the science of Induction cooking.

Heat is instantly generated directly under the pans by the induction stove, and vanishes just as quickly when you switch it off. The ceramic glass around the pans stays cool, so if something boils over, it won't burn onto the surface.



Combining induction technology with powerful extraction, the inductionAir hob is intelligently designed for your kitchen



InductionAir venting hob

The inductionAir venting hob gives you the freedom to style your kitchen how you want to, with the added benefit of hassle-free cleaning. The innovative design means that the grease filters fit into an entirely detachable liquid tray unit which is made to completely protect against spillages and over-boiled liquids.

How does it work?

All parts of the inductionAir venting hob are neatly arranged in a liquid tray unit, accessed from the top of the hob. Each of the parts are dishwasher-proof, including the cast iron and black glass air inlet grid, the 2-in-1 grease filter and the liquid tray. Each part is also separate to save space in your dishwasher.

Protects from spills

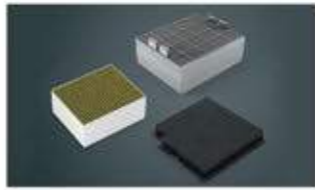
As a first layer of protection, the cast iron and black glass air inlet grid is designed to limit the flow of liquids into the ventilation module. As a second layer of protection, the liquid tray captures up to 200ml from day-to-day cooking and can be easily discarded. As an additional layer of protection, up to 2 litres of liquid can be held in the liquid safety tank, accessed from beneath the appliance, safe-guarding the appliance from damage. This means you can focus on your cooking with complete peace of mind.

Flexible installation options

The Siemens inductionAir system allows for either ducted or recirculating ventilation, depending on which extraction kit is chosen. A ducted extraction kit is recommended if there is the opportunity to discharge the odours directly outside. If this is not possible, the recirculation kit provides a solution that nullifies the cooking odours before recirculating the air back into the kitchen. Both the ducting and recirculation kits allow for under bench cupboard space to be retained, leaving space for drawers or shelves to be installed.



Ducted Recirculation System
Mandatory accessories for ducted extraction configurations. Includes – 4 high-performance, low-noise acoustic filters for significantly lower noise and strongly improved psycho-acoustics.
– A sealing gasquet that can be attached onto a male flat duct before inserting the element into the appliance to ensure air tightness (The air outlet on the backside of the appliance can be directly accessed with a male flat duct element (DN 150)).



Partly ducted recirculation system
Mandatory basic accessories for fully and partly ducted recirculation configurations. It includes – 4 high-performance cleanAir odor filters with optimized odor reduction performance for cooking applications with complex odor molecules (e. g. fish). Large scale filter surfaces with high odour reduction capabilities and a lifetime of 360 hours of cooking (non-regenerative). Filters are additionally optimized for low-noise with optimized psycho-acoustics.
– A diffuser element that can be directly connected to the flat duct elements and that spreads the outflowing air in the plinth area for partly ducted recirculation configurations. The diffuser can also be directly connected to the air outlet element with adhesive tape for fully ducted recirculation configurations.
– Adhesive tape to ensure a direct connection between the diffuser and the air outlet element such as lamella grids or outlet grids supplied by the kitchen furniture manufacturers.
– A sealing gasquet that can be attached onto a male flat duct before inserting the element into the appliance to ensure air tightness (The air outlet on the backside of the appliance can be directly accessed with a male flat duct element (DN 150)).
The elements enable highly flexible and customized ducted planning – all further necessary flat ducting elements (DN 150) must be ordered additionally. A return-flow aperture of $\geq 400 \text{ cm}^2$ is to be respected in the plinth area.



Unducted recirculation system
Mandatory "Plug 'n Play" accessory for unducted recirculation configurations. The "Plug 'n Play" system enables very convenient planning and very convenient and quick installation. It includes – 4 high-performance cleanAir odor filters with optimized odor reduction performance for cooking applications with complex odor molecules (e. g. fish). Large scale filter surfaces with high odor reduction capabilities and a lifetime of 360 hours of cooking (non-regenerative). Filters are additionally optimized for low-noise with optimized psycho-acoustics.
– A telescopic slider element with integrated sealings and a self-gluing fixation frame to easily connect the appliance's air outlet with the cut-out in the backpanel of the furniture.
A return-flow aperture of $\geq 400 \text{ cm}^2$ is to be respected in the plinth area. This configuration requires a vertical aperture of min. 25 mm behind the backpanel of the furniture. Suggested for ideal ventilation performance is 50 mm.



Typical Bench
Countertop depth: 600mm

- The recirculation kit is installed partly inside the lower cabinet.
- Shelves or shelf rails in the lower cabinet may need to be shortened.



Extra Deep Bench
Countertop depth: 750mm

- The recirculation kit is behind the lower cabinet.
- Shelves and shelf rails in the lower cabinet may retain their full depth.



Island Bench
Countertop depth: Variable

- The recirculation kit is installed between the cabinets.
- Depending on the countertop depth on the overall installation, the shelves or shelf rails used in the lower cabinet may need to be shortened.



Ready for any kind of cooking utensils.
Ready for your way of cooking.



After you cook with inductionAir Plus for the first time, you won't believe it could have ever been different. Because the minimalist design is thought through down to the last detail. Not a centimeter is wasted by the flush-integrated extractor: you also have enough space for extra-large cookware and can move pots or pans freely on the entire surface. A totally carefree cooking experience is guaranteed by sensor-controlled functions and Siemens induction technology that has proven its worth millions of times over. Depending on the model, the hobs are equipped with flexInduction or combi Induction.



flexInduction: adapts to your wishes.

Hobs with flexInduction automatically recognize the size and shape of your cookware. If you wish, you can connect two cooking zones at the touch of a finger to create an extra-large cooking surface. Whether it's a rectangular roaster, or a number of small pans with sauces and side dishes, heat is only generated where it is needed.



PowerMove Plus: three zones for all options.

With powerMove Plus you can divide your hob into three heat zones. Fry in front, simmer in the middle, keep warm in the back. That's how you create elaborate menus with several courses with just a few touches of the finger.



FlexMotion: flexible temperatures.

flexMotion remembers all temperature settings you have selected. If you move a pan to another cooking zone, the original temperature is taken over by the new cooking zone automatically.



FryingSensor Plus: always done to perfection.

Is the pan temperature perfect? The integrated fryingSensor Plus knows it and shows it. It then automatically keeps the temperature constant for as long as you want: for golden-yellow juicy omelettes.



CookingSensor Plus: cooking without overcooking.

The cookingSensor Plus attached to the pan checks the temperature and adjusts it automatically if necessary. The intelligent function puts an end to overboiling pasta water and the need to be constantly watching over the pan: you can relax and take care of the table decoration or your guests.



ClimateControl sensor: everything under control.

The climateControl sensor integrated in the extraction duct permanently measures the vapour and odour load and automatically adjusts the ventilation level. So it only works as hard as is absolutely necessary. And while you switch to pleasure mode with your guests after cooking, the sensor switches the trigger to follow-up mode: to maintain a good atmosphere while eating.



iQDrive motor: quiet goes even quieter.

The noise level is pleasantly low due to the soft sound system integrated in the sensor. Thanks to the iQDrive motor with its particularly quiet, brushless mechanics, you will enjoy even more peace and quiet in spite of higher extraction performance: so you won't miss any compliments to your culinary skills.



Exhaust air or circulating air: depending on kitchen type.

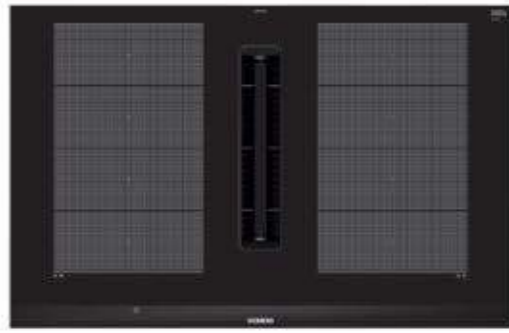
The inductionAir Plus is suitable for exhaust air and recirculating air operation. In exhaust air mode, vapours and odours are expelled directly to the outside. In recirculation mode, the stale air passes through a filter and is cleaned then returned to the room. The circulating air solution is ideal for free-standing kitchen islands or blocks.



Dual lightSlider: discreet and intuitive.

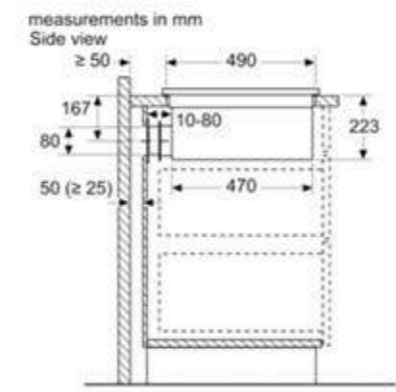
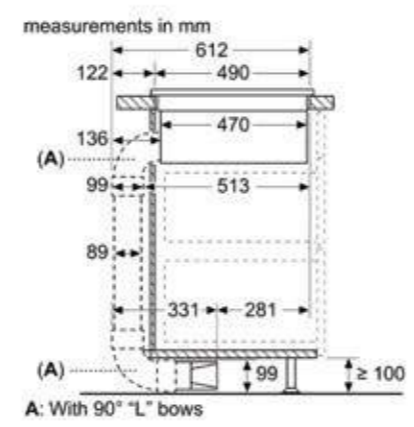
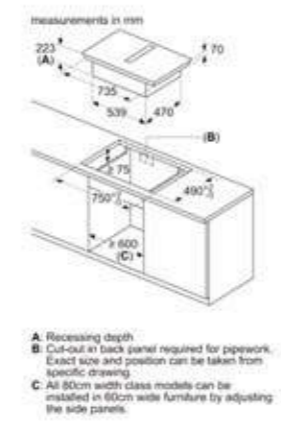
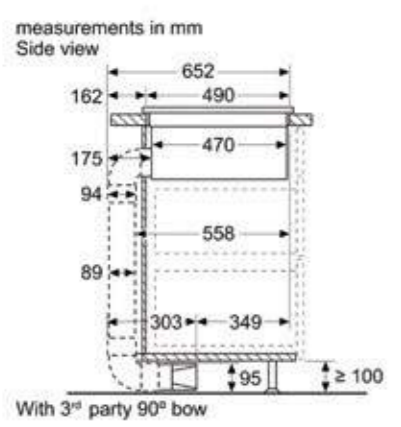
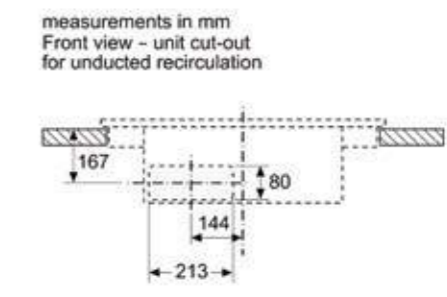
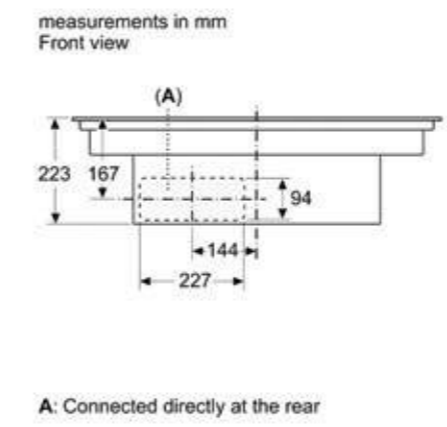
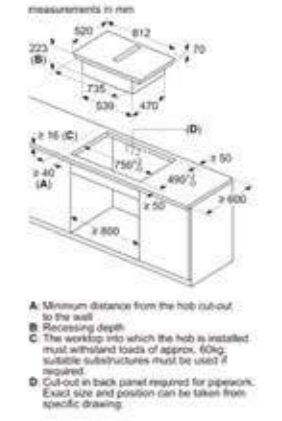
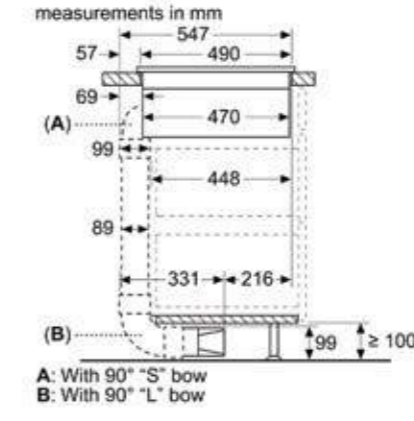
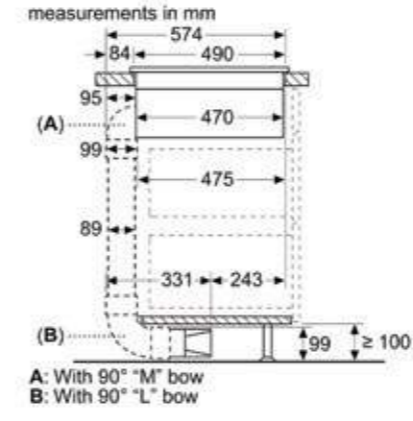
A 30-centimeter-wide display for maximum ease of use: the responsive Dual lightSlider gives you the best of both worlds with just one finger: full control over all cooking zones and extraction. So that nothing distracts you, it automatically shows you just the functions you currently need.

InductionAir

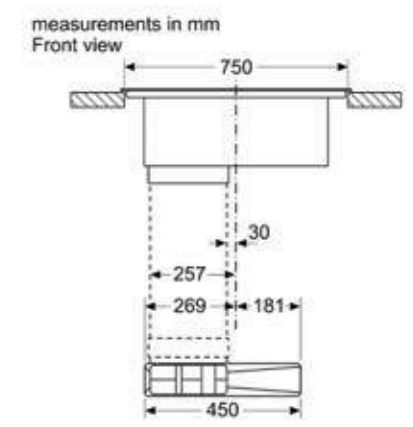


Home Connect

EX875LX67E	80cm Induction Hob with Integrated Ventilation System
Key Highlights	<ul style="list-style-type: none"> FlexInduction - Flexible cooking without predefined cooking zones. ClimateControl Sensor - Monitors steam and odours to adjust the power level automatically CookingSensor Plus - prevents overboiling thanks to precise temperature control PowerMove Plus - Adjust heat levels in three steps just by moving the cookware FlexMotion - heat settings for individual pans
Design & Innovation features	<ul style="list-style-type: none"> Child safety lock energy consumption display 17 power levels Keep warm function for all cooking zones Digital 2-step Residual heat indicator 2 flexZones Induction cooktop with fully integrated high-performance downdraft extractor.
Safety & Quality features	<ul style="list-style-type: none"> Dual lightSlider touch control PowerBoostfunction - Shorter heating times with up to 50% more power iQdrive motor - Effective and quiet steam extraction Timer with switch-off function
Dimensions	<ul style="list-style-type: none"> Appliance Dimensions (HxWxD): 22.3cm x 81.2cm x 52cm Cut Out Dimensions (HxWxD): 22.3cm x 75cm x 49- 49cm
Technical Information	<ul style="list-style-type: none"> Connecting Cable : 110cm Total connected load: 7.4 KW
Optional Accessories	<ul style="list-style-type: none"> HZ9VEDU0 : Acoustics Filter HZ9VRPD0 : Basic kit (partly) ducted recirculation HZ9VRUD0 : Starter kit unducted recirculation (Plug) HZ390512 : Large Teppanyaki plate for flexInduction® HZ394301 : Connection rail for the combination of domino cooktops



When installing directly at outer walls that are non-insulated ($\mu \geq 0.5 \text{ W/m}^2 \text{ } ^\circ\text{C}$), we recommend to use partially or fully ducted recirculation configurations.



Induction cooking: The cool heat.



Fast, safe and easy to clean.

When cookware with a magnetic base is placed on an induction cooktop, the coils below the ceramic glass surface create a powerful magnetic field. These coils induce a current which rapidly generates heat directly under the pan, isolated only to where the pan makes contact with the cooktop. This provides reduced cooking times, precise heat control and a safer cooking environment too, as the area around the pan remains relatively cool. What's more, the sleek flat surface is a dream to clean. You'll wonder how you ever did without it.

More efficient.

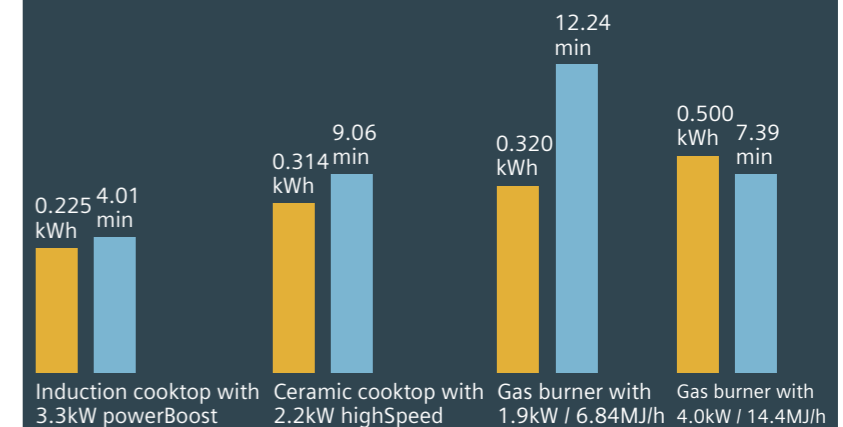
The energy that induction generates travels straight to your pot and heats its contents, meaning that virtually no energy is wasted. And because the heat arrives so quickly, you will use less energy than conventional cooktops.

Pans suitable for induction cooktops.

To be certain that your cooktop performs at its best, make sure you invest in a set of good quality pots and pans, with a ferrous/magnetic base. Look for pans with a smooth, flat base – those with steel and aluminium sandwich construction are particularly good at distributing heat. If you're unsure whether your existing pans are suitable, apply a magnet to the base to ensure it has magnetic properties. Siemens offers a range of suitable induction cookware as optional accessories.

Cooking speed.

Time required to heat 2 litres of water at 15-90°C

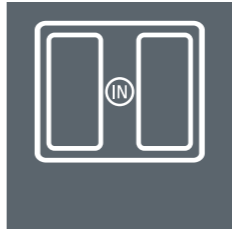


Source: BSH group (overseas test results)

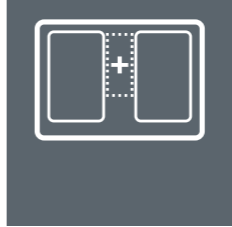
SCHOTT CERAN®
9000484810



Free your pans from restrictive cooking zones, with flexInduction®.



Flexible cooking zones for flexible cooking.
Siemens flexInduction® cooktops can behave as traditional induction cooktops with four or five separate zones. But choose to link the zones together to form one or more rectangular surfaces, and the real magic begins. The extended cooking surface can accommodate pans of any size, and even several pans placed anywhere on the surface at the same time. And of course flexInduction® has all the advantages of induction cooking, including boost settings, pan recognition and a power output of up to 3.7kW.



flexInduction® Plus.
Ideal for larger pots and pans, flexInduction® Plus allows large cookware to be positioned horizontally, to achieve full surface contact. It also leaves more room for additional pots and pans towards the front of the cooktop.

flexInduction® Plus allows large cookware to be positioned horizontally, to achieve full surface contact.



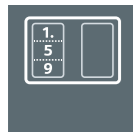
FlexInduction hobs that think for you



Greater flexibility with flexInduction Plus
The hob has a flexInduction Plus cooking zone which is located between the two flexible cooking zones and which switches on in conjunction with the right- or left- hand flexible cooking zone. This function enables flexible expansion of the induction hob for pots and pans with a diameter of up to 30 cm.



Liberate your cooking from a single cooking zone: flexMotion
Allows intuitive control power levels only by moving pots - three temperature zones. Do not leave anything behind when you move something. That's exactly what the new flex Motion function is all about. When the pan from one to the other cooking zone is moved, the flexInduction Plus hob takes the selected power mode automatically to the new hotplate. The user only needs to confirm this position. Simultaneously, the hob automatically switches the original cooking area of the roof.



Choose your heating zone: powerMove Plus
This function offers a totally new experience. Divide your hob into 3 heating zones with the powerMove Plus feature. From frying at the front to warming at the back of your hob, just lift your cookware to the right spot to activate the correct heating zone. The rear zone automatically detects and starts with the minimum level 1 to keep the food warm.



No more scorching: fryingSensor Plus
It's nice to have some help with your frying for a controlled frying temperature, simply choose from a range of automatic programs according to the type of food being cooked, and fryingSensor Plus will apply the ideal setting. A signal tone will let you know when the ideal frying temperature has been reached, and since the pan's temperature is monitored for the entire frying process, it spares you the trouble of making manual adjustments.



One step ahead: quickStart
When you turn on the flexInduction hob, the quickStart function automatically identifies and selects the cooking area on which you have placed the pot. All you have to do is adjust the temperature setting, and you're ready to go.



Start again with original settings: ReStart
In case the flexInduction hob automatically turns itself off, say because of spilled liquid on the user interface, the reStart function lets you return to your selected settings simply by tapping on the power button within four seconds of the hob switching off.

More power. More precision.



Control at your fingertips: Innovative touchSlider control
The stylish and ergonomic touchSlider allows you to simply slide your finger across the temperature scale to the desired settings. You can also touch the desired level directly for faster adjustments to the cooking zone temperature.



Cooking was never easier: dual lightSlider control
The Dual lightSlider allows you to intuitively operate your FlexInduction hob. Cooking was never easier. One touch is all it takes. This hob comes with the Dual lightSlider which responds to the lightest of touches, giving you full oversight at a glance.



Precision in cooking: Variable power levels
All induction models feature a variable 17-stage electronic temperature display that offers you precise control over your cooking, from a low simmer to a rapid boil.



Extra power when you need it: PowerBoost
The boost function increases the power output of the selected zone by approximately 50% and this it does by 'borrowing' power from its partner cooking zone

Convenient extras.



Stay spill-free: wipeProtection
When cooking with passion leads to a spill or two, simply activate wipe Protection, which will freeze settings for approximately 35 seconds. This provides enough time to clean up any accidental spills, without affecting any program settings.



Cooking Timer with Automatic switch off
The timer function can be used in two ways: as an independent timer (that sounds a signal at the end of the cooking time) or to automatically switch-off the cooking zone at the end of your desired cooking time. Most Siemens hobs are equipped with a timer with dual usage.



2 Stage Residual Heat Indicators
After a pan is removed, residual heat will remain for a short period. An LED display will show 'H' when a zone is above 95°C - suitable for finishing off cooking or keeping food warm. A small 'h' indicates a temperature of 65-85°C as a safety precaution.



Automatic safety switch-off
Built-in sensors identify when the flexInduction hob is no longer in use, and will automatically shut it down, so there's no need to worry if you've forgotten to turn it off.



Childproof lock function
In case you have a child around the hob or have some urgent work to attend to, lock the controls by simply using the Child-proof Lock button on the control panel. The lock can be re-activated simply. It's now easy to prevent inadvertent accidents.

Domino cooktops. Cook your own way.

Siemens domino cooktops give you the freedom to design your own cooking centre. Using a combination of gas, induction and Teppanyaki, these units can stand proudly alone, or combined in perfect alignment. This is the ultimate cooking experience for serious cooks.



A serve of Japanese influence: Teppanyaki.

Now you can prepare authentic Japanese dishes in the comfort of your own kitchen. The high-quality steel surface not only delivers that unmistakable Japanese flavour, it provides the perfect canvas for creating light and healthy dishes. Featuring touchSlider controls and a ceramic glass cover for when not in use, the Siemens Teppanyaki makes a serious statement in any cooking enthusiast's kitchen.

The fastest way to Asian specialties: the (6 kW/h) brass wok burner.

Reaching a maximum of 22MJ/h (6 kW/h) the Siemens brass wok burner is one of the fastest in its class. Thanks to the dual-function control dial, you can control both flames independently with just one hand, giving you precise and powerful operation.

Design continuity.

The connecting feature of all domino cooktops is the elegant appearance of the faceted glass surface at the front of each unit. Extremely robust and easy to clean, it is used on all domino modules to ensure you achieve a clean and continuous line, while elegant stainless steel side profiles provide a beautifully finished frame.

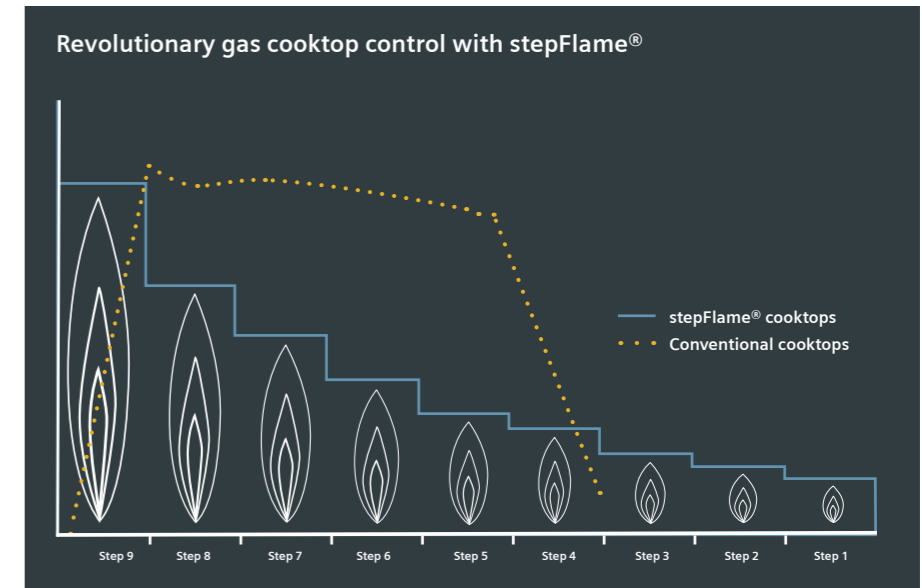


Precise flame control with 9 levels: Introducing stepFlame® technology.



You've finally found the ideal setting for your favourite cut of meat: Cook on flame level 7 for six minutes. Turn it over. Reduce heat down to flame level 2. Cook for another two minutes. Let it rest for five minutes. Serve.

With the ground breaking technology of stepFlame®, the first time you find the ideal setting for your dish, is the last time you'll need to think about it. stepFlame® technology allows you to select from nine different flame levels to precisely adjust the flame height, giving you consistent and repeatable results every time.



Gas hobs

High performance, high speed.

Tradition meets innovation – with their modern functions, Siemens gas hobs provide enjoyment in cooking like a pro. Our top-of-the-range models feature beautiful and durable black ceramic glass hob bases, with cast iron pan supports for a contemporary look. They are designed to coordinate with other appliances in the iQ700 range, and can be combined seamlessly with iQ700 domino and electric hobs. Low profile, single piece burners on the glass complete the sleek appearance.



StepFlame technology
Introducing the ground-breaking innovation in gas hobs: stepFlame. Offering 9 precise power levels to give you the control of an electric hob, with gas. No more leaning over to check the flame size, no more hoping that it is at the right heat level. All this guesswork has been removed from cooking with gas. Whatever the level selected, the exact heat and the flame size needed is provided. It is just as easy to operate as it sounds, so conjuring up delicious meals is now easier than ever. It enables you to achieve the precise results you have always dreamt of. Your meals will be delicious, and your guests will be delighted.



Power Level Display with residual heat indicator
Together with the new stepFlame technology, selected gas hobs feature an LED display which clearly shows the power level you have selected at a glance. For added safety, the LED display also shows whether there is any residual heat from the hob indicated by a capital 'H' for hot and a lower case 'h' for warm.



Cast Iron
Cast iron pan supports are designed to withstand even the heaviest of pots and pans and provide a sleek finish to each hob. All can be removed for easier cleaning and iQ700 models have dishwasher safe pan supports.



Brass wok burner
Siemens gas hobs feature brass wok burners that deliver 6 kW of power depending on the model, meeting the increasing demand for high speed cooking. But it is not just about power; they can be turned down to just 0.3kW – perfect for simmering. For the ultimate in flexibility, our 6kW (22MJ/h) brass wok burners are dual control – the inner and outer flame rings can be adjusted independently via a single control.



Dishwasher proof
All gas on ceramic glass models feature pan supports that are treated with a special patented coating which resists discolouration and the damaging effects of a dishwasher.





Convenience and safety



Powerful, precise wok cooking.
Siemens gas cooktops now feature wok burners delivering up to 22MJ/h (6kW) of power. For superior precision and flexibility, our wok burners offer dual control, which allows you to independently adjust the inner and outer flame rings from the same control dial.



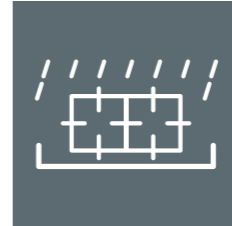
2-stage residual heat indicators.
After a pan is removed, residual heat will remain for a short period. The LED display will show 'H' when residual heat is suitable for finishing off cooking or keeping food warm. A 'h' indicates residual heat is insufficient to cook, but hot enough to evoke caution.



Safety first.
Siemens gas cooktops are equipped with a flame failure safety device which cuts off the gas supply to an individual burner, should the flame be accidentally extinguished.



LED Display.
The black glass model features an LED display which clearly shows the selected flame level. Once switched off, the residual heat indicator is displayed.



Making cleaning simpler.
Save time on cleaning by placing your dishwasher-safe pan supports in the dishwasher, giving you more time for the things you enjoy.



The hob that knows no limits: flexInduction.

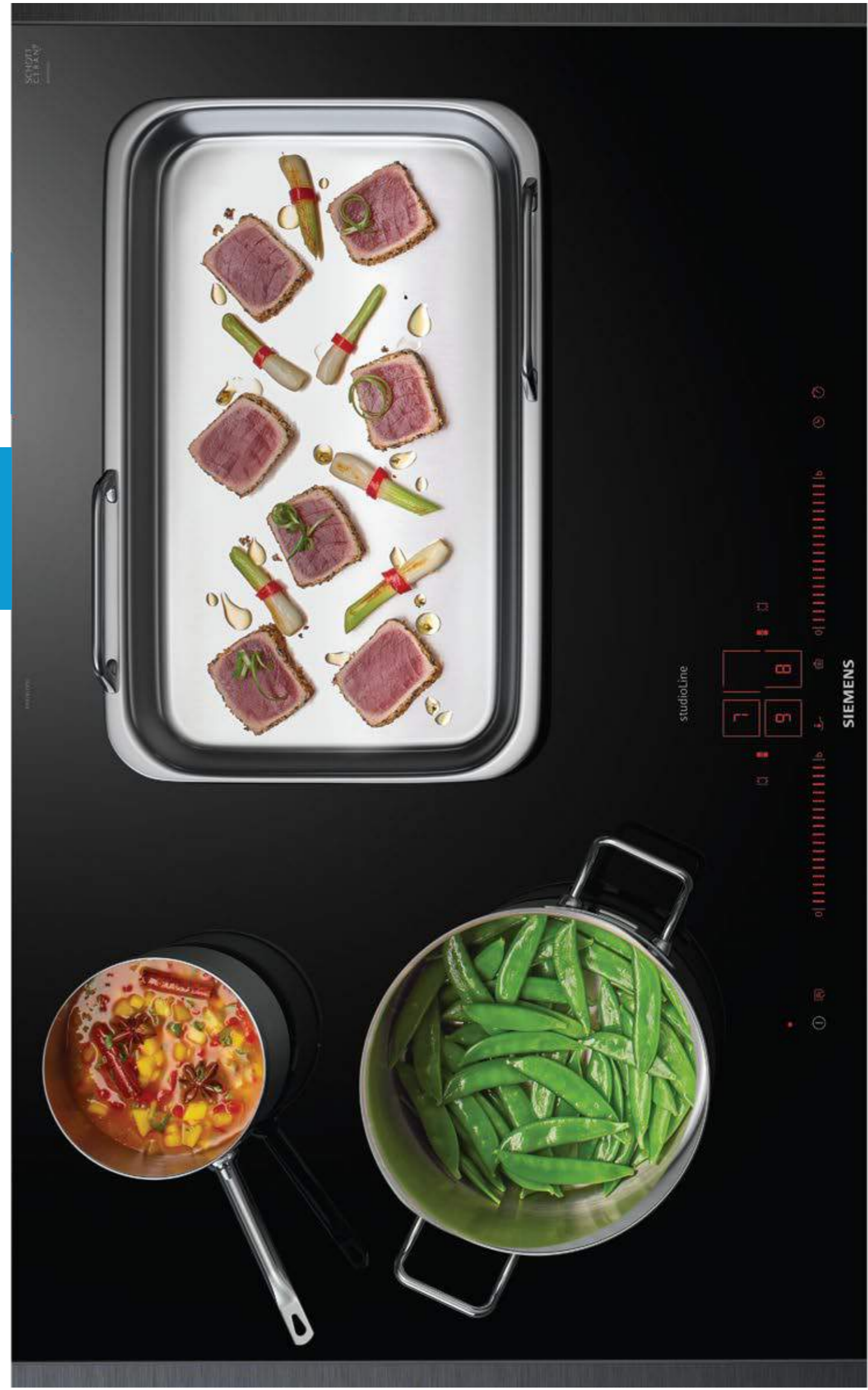
Siemens premium studioLine flexInduction hob is styled with black glass and a blackSteel trim, ensuring they perfectly coordinate with the other exclusive studioLine appliances in the range. With top of the range features such as TFT Control, Dual lightSlider and the cookingSensor, and a refined style from every angle, Siemens studioLine flexInduction hob make a bold design statement to compliment any high quality kitchen.

studioLine

"Image is for representation purpose only"



A hob as flexible as your ideas: flexInduction.

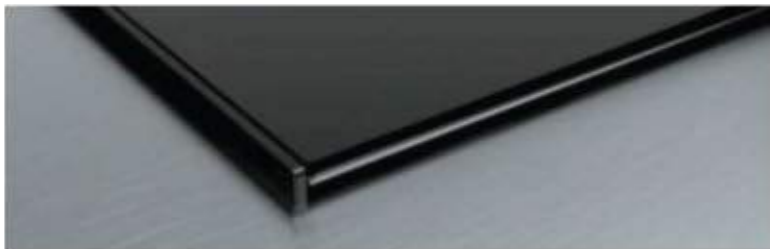


flexInduction
 With our new flexInduction hob you can move pots and pans of different sizes and shapes freely on the whole hob, without being restricted to predefined cooking zones. On top of that, the freeInduction hob offers space for up to six pots and pans at the same time, giving you much more space and flexibility when cooking.

Cooking like a chef: powerMove Plus
 The powerMove Plus feature allows you to change the heat level automatically by just moving the cookware. In five steps you can choose between different power levels only by moving the pot or pan from one spot on the cooktop to another. The cooktop will react immediately and apply the right power level for cooking like a professional.

Finishes

blackSteel trim
 The studioLine flexInduction hob is styled with black glass and blackSteel trim, ensuring the materials and finish perfectly coordinate with other exclusive studioLine appliances in the range.

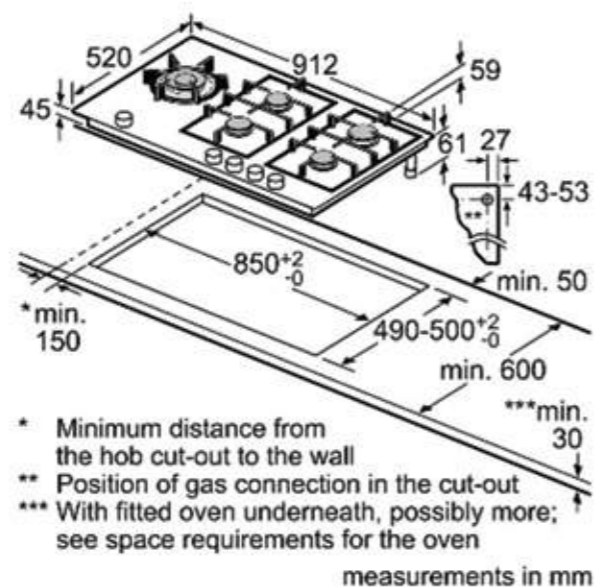


"Image for representation purpose only"

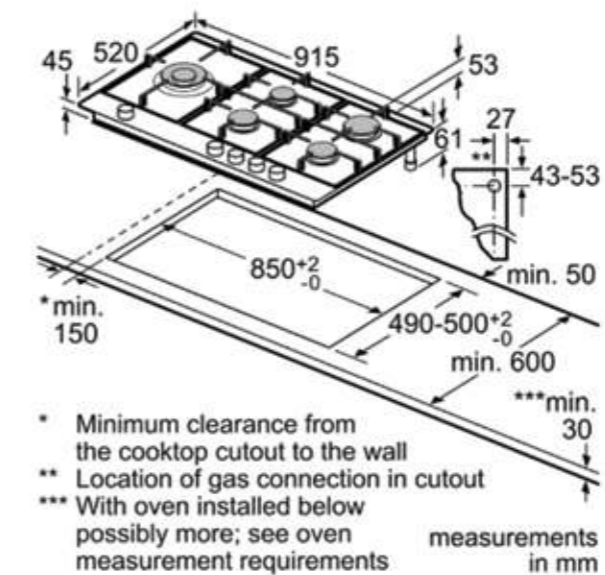
Gas Hobs



ER9A6SD70I	90cm, Gas hob with integrated controls, Black Ceramic glass Gas hob
Key Highlights	<ul style="list-style-type: none"> • stepFlame technology • Sword Control Knobs • One Handed Ignition via control Knobs • 5 Gas burners • Dual wok burner, 6 KW Wok burner at left • Special flat burner design • Cast iron continuous pan supports
Design & Innovation features	<ul style="list-style-type: none"> • stepFlame technology: precise heat control with nine different flame steps. • The 7-segment display informs about the chosen power level. • The dual wok burner with dualFlame system and 6 KW of power is ideal for a wide variety of foods, even in large quantities. • 1 rapid, 2 standard, 1 economy, 1 Dual Wok burner • Dishwasher proof pan supports are extremely easy to remove and clean in the dishwasher. • High-quality materials and workmanship - continuous cast-iron pan supports.
Safety & Quality features	<ul style="list-style-type: none"> • Flame Failure Safety Device
Dimensions	<ul style="list-style-type: none"> • Appliance Dimensions (HxWxD): 4.5cm x 91.2cm x 52cm • Cut Out Dimensions (HxWxD): 4.5cm x 85-85.2cm x 49- 50.2cm
Technical Information	<ul style="list-style-type: none"> • Connecting cable:150cm • Total connected gas load:13.7 KW • Right rear: Rapid burner 2.8 KW • Left: Wok burner 6 KW • Center rear: Economy burner 1.1 KW • Center front: Standard burner 1.9 KW • Right front: Standard burner 1.9 KW • Liquid gas nozzles (28-30/37mbar) included • India plug (6 Ampere)
Included accessories	<ul style="list-style-type: none"> • 1 x WOK attachment ring
Optional Accessories	<ul style="list-style-type: none"> • HZ298114 Small pot support • HZ298105 Simmer plate



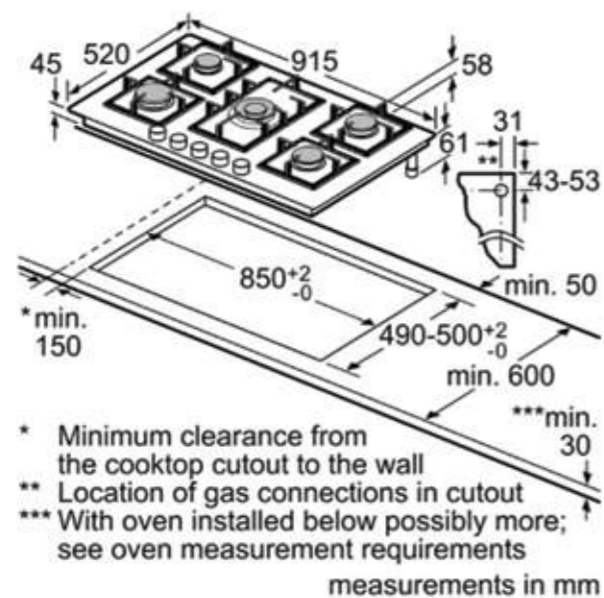
EC9A5SB90I	90cm, Gas hob with integrated controls, Stainless steel Gas hob
Key Highlights	<ul style="list-style-type: none"> • stepFlame technology • Sword Control Knobs • One Handed Ignition via control Knobs • 5 Gas burners • Dual wok burner, 5 KW Wok burner at left • Cast iron continuous pan supports
Design & Innovation features	<ul style="list-style-type: none"> • stepFlame technology: precise heat control with nine different flame steps. • The dual wok burner with dualFlame system and 5 KW of power is ideal for a wide variety of foods, even in large quantities. • 1 rapid, 2 standard, 1 economy, 1 Dual Wok burner • High-quality materials and workmanship – continuous cast-iron pan supports. • Comfortable usage due to high quality sword knobs. • A Siemens hob with a uniquely beautiful stainless steel surface design.
Safety & Quality features	<ul style="list-style-type: none"> • Flame Failure Safety Device
Dimensions	<ul style="list-style-type: none"> • Appliance Dimensions (HxWxD): 4.5cm x 91.5cm x 52cm • Cut Out Dimensions (HxWxD): 4.5cm x 85-85.2cm x 49-50.2cm
Technical Information	<ul style="list-style-type: none"> • Connecting cable: 150cm • Total connected gas load:12.5 KW • Right rear: Rapid burner 3 KW • Left: Wok burner 5 KW • Center rear: Standard burner 1.75 KW • Center front: Economy burner 1 KW • Right front: Standard burner 1.75 KW • Liquid gas nozzles (28-30/37mbar) included • India plug (6 Ampere)
Optional Accessories	<ul style="list-style-type: none"> • HZ298105 Simmer plate



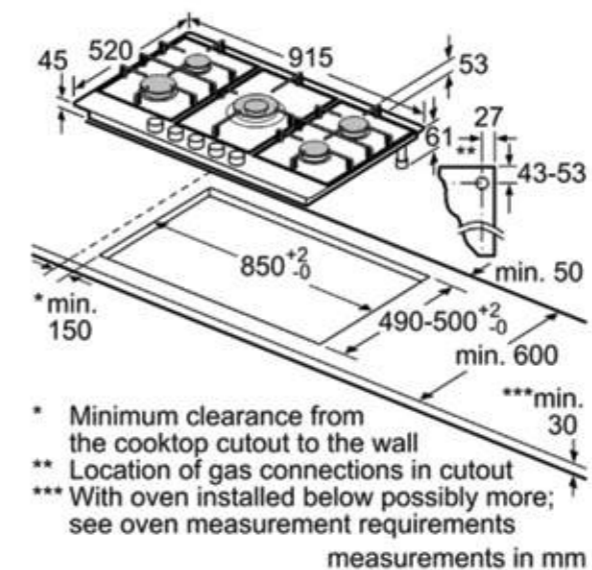
Gas Hobs



EP9A6QB90I	90cm, Gas hob with integrated controls, Black Hard glass Gas hob
Key Highlights	<ul style="list-style-type: none"> • stepFlame technology • Black Tempered glass • For a flush or slightly raised built-in solution. • Sword Control Knobs • One Handed Ignition via control Knobs • 5 Gas burners • 4 KW Wok burner at center • Cast iron continuous pan supports
Design & Innovation features	<ul style="list-style-type: none"> • stepFlame technology: precise heat control with nine different flame steps. • This wok burner with 4.0 KW of power is ideal for a wide variety of foods, even in large quantities. • Siemens top sheet design for a flush or slightly raised built-in solution. • Extremely heat-resistant and easy to clean – the modern glass tempered surface. • High-quality materials and workmanship – continuous cast-iron pan supports. • 1 rapid, 2 standard, 1 economy, 1 wok burner • Easy to clean Tempered glass surface.
Safety & Quality features	<ul style="list-style-type: none"> • Flame Failure Safety Device
Dimensions	<ul style="list-style-type: none"> • Appliance Dimensions (HxWxD): 4.5cm x 91.5cm x 52cm • Cut Out Dimensions (HxWxD): 4.5cm x 85-85.2cm x 49-50.2cm
Technical Information	<ul style="list-style-type: none"> • Connecting cable: 150cm • Total connected gas load:11.5 KW • Left rear: Standard burner 1.75 KW • Right rear: Rapid burner 3 KW • Center: Wok burner 4 KW • Left front: Economy burner 1 KW • Right front: Standard burner 1.75 KW • Liquid gas nozzles (28-30/37mbar) included • India plug (6 Ampere)
Optional Accessories	<ul style="list-style-type: none"> • HZ298114 Small pot support and HZ298105 Simmer plate



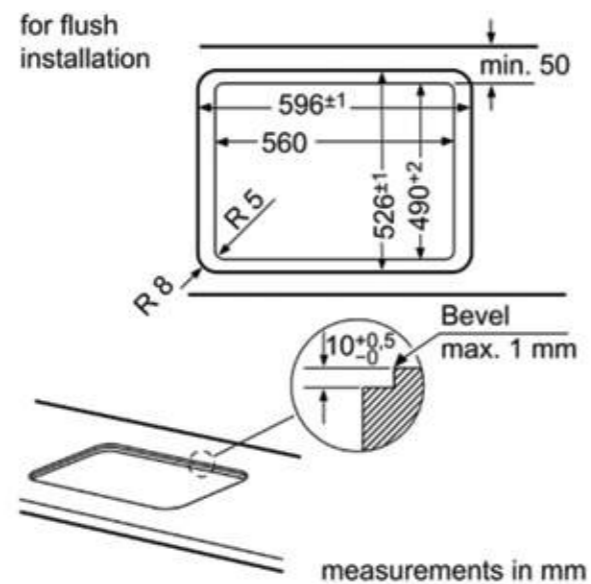
EC9A5RB90I	90cm, Gas hob with integrated controls, Stainless steel Gas hob
Key Highlights	<ul style="list-style-type: none"> • stepFlame technology • Sword Control Knobs • One Handed Ignition via control Knobs • 5 Gas burners • Dual wok burner, 5 KW Wok burner at Center • Cast iron continuous pan supports
Design & Innovation features	<ul style="list-style-type: none"> • stepFlame technology: precise heat control with nine different flame steps. • The dual wok burner with dualFlame system and 5 KW of power is ideal for a wide variety of foods, even in large quantities. • High-quality materials and workmanship - continuous cast-iron pan supports. • Comfortable usage due to high quality sword knobs. • A Siemens hob with a uniquely beautiful stainless steel surface design. • 1 rapid, 2 standard, 1 economy, 1 Wok burner
Safety & Quality features	<ul style="list-style-type: none"> • Flame Failure Safety Device
Dimensions	<ul style="list-style-type: none"> • Appliance Dimensions (HxWxD): 4.5cm x 91.5cm x 52cm • Cut Out Dimensions (HxWxD): 4.5cm x 85 -85.2cm x 49-50.2cm
Technical Information	<ul style="list-style-type: none"> • Connecting cable: 150cm • Total connected gas load:12.5 KW • Left rear: Standard burner 1.75 KW • Right rear: Rapid burner 3 KW • Center: Wok burner 5 KW • Left front: Economy burner 1 KW • Right front: Standard burner 1.75 KW • Liquid gas nozzles (28-30/37mbar) included • India plug (6 Ampere)
Optional Accessories	<ul style="list-style-type: none"> • HZ298105 Simmer plate



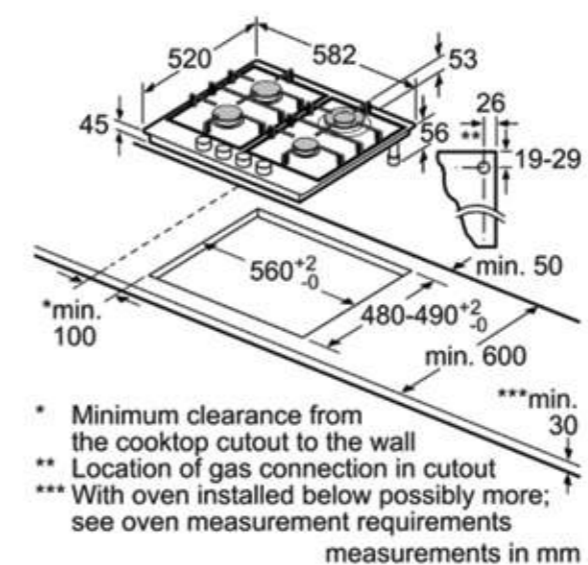
Gas Hobs



EP6A6HB20I	60cm, Gas hob with integrated controls, Black Hard glass Gas hob
Key Highlights	<ul style="list-style-type: none"> • StepFlame technology • Sword Control Knobs • One Handed Ignition via control Knobs • 4 Gas burners • 3.5 KW Wok burner at Right rear • Black Tempered glass • Cast iron single pan supports • For a flush or slightly raised built-in solution
Design & Innovation features	<ul style="list-style-type: none"> • stepFlame technology: precise heat control with nine different flame steps. • This wok burner with 3.5 KW of power is ideal for a wide variety of foods, even in large quantities. • Siemens top sheet design for a flush or slightly raised built-in solution. • Extremely heat-resistant and easy to clean – the modern glass ceramic surface. • High-quality materials and workmanship – individual cast-iron pan supports. • 1 rapid, 1 standard, 1 economy, 1 wok burner
Safety & Quality features	• Flame Failure Safety Device
Dimensions	<ul style="list-style-type: none"> • Appliance Dimensions (HxWxD): 4.5cm x 59cm x 52cm • Cut Out Dimensions (HxWxD): 4.5cm x 56-56.2cm x 48-49.2cm
Technical Information	<ul style="list-style-type: none"> • Connecting cable: 100cm • Total connected gas load: 8 KW • Left rear: Standard burner 1.75 KW • Right rear: Wok burner 3.5 KW • Left front: Standard burner 1.75 KW • Right front: Economy burner 1 KW • Liquid gas nozzles (28-30/37mbar) included • India plug (6 Ampere)
Optional Accessories	<ul style="list-style-type: none"> • HZ298114 Small pot support • HZ298105 Simmer plate



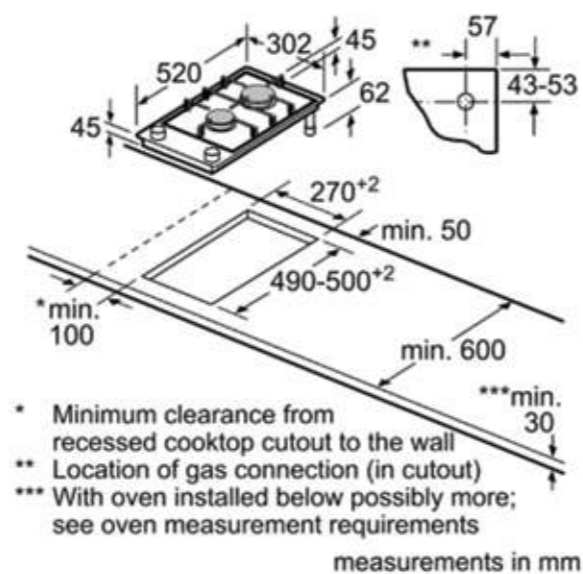
EC6A5HB90I	60cm, Gas hob with integrated controls, Stainless steel Gas hob
Key Highlights	<ul style="list-style-type: none"> • stepFlame technology • Sword Control Knobs • 4 Gas burners • 3.5 KW Wok Burner at Right Rear • Cast iron continuous pan supports • Stainless steel top sheet
Design & Innovation features	<ul style="list-style-type: none"> • stepFlame technology: precise heat control with nine different flame steps • This wok burner with 3.5 KW of power is ideal for a wide variety of foods, even in large quantities • High-quality materials and workmanship – continuous cast-iron pan supports • Comfortable usage due to high quality sword knobs • A Siemens hob with a uniquely beautiful stainless steel surface design • 1 rapid, 1 standard, 1 economy, 1 wok burner
Safety & Quality features	• Flame Failure Safety Device
Dimensions	<ul style="list-style-type: none"> • Appliance Dimensions (HxWxD): 4.5cm x 58.2cm x 52cm • Cut Out Dimensions (HxWxD): 4.5cm x 86 -86.2cm x 48-49.2cm
Technical Information	<ul style="list-style-type: none"> • Connecting cable: 100cm • Total connected gas load: 8 KW • Left rear: Standard burner 1.75 KW • Right rear: Wok burner 3.5 KW • Left front: Standard burner 1.75 KW • Right front: Economy burner 1 KW • Liquid gas nozzles (28-30/37mbar) included • India plug (6 Ampere)
Included accessories	• 1 x WOK attachment ring
Optional Accessories	• HZ298105 Simmer plate



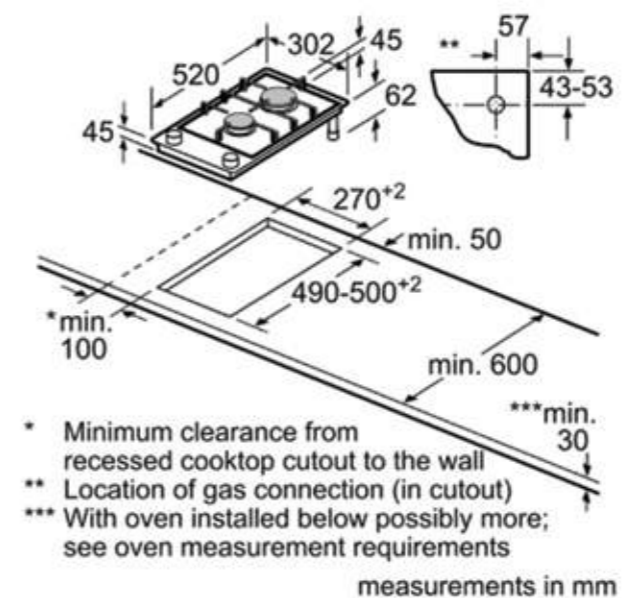
Domino Gas Hobs



ER3A6BD70I	30cm, Gas hob with integrated controls, Black Ceramic glass Gas hob
Key Highlights	<ul style="list-style-type: none"> • stepFlame technology • 7-segment display • Sword Control Knobs • Ceramic top sheet • 2 Gas burners • Special flat burner design • Can be combined with Domino ceramic hobs • Pan supports dishwasher proof
Design & Innovation features	<ul style="list-style-type: none"> • stepFlame technology: precise heat control with nine different flame steps • The 7-segment display informs about the chosen power level • Dishwasher proof pan supports are extremely easy to remove and clean in the dishwasher • High-quality materials and workmanship – continuous cast-iron pan supports • Comfortable usage due to high quality sword knobs • 1 rapid, 1 standard burner
Safety & Quality features	<ul style="list-style-type: none"> • Flame Failure Safety Device • Residual heat indicator
Dimensions	<ul style="list-style-type: none"> • Appliance Dimensions (HxWxD): 4.5cm x 30.2cm x 52cm • Cut Out Dimensions (HxWxD): 4.5cm x 27cm x 49-50cm
Technical Information	<ul style="list-style-type: none"> • Connecting cable: 100cm • Total connected gas load: 4.7KW • Center rear: Rapid burner 2.8 KW • Center front: Standard burner 1.9 KW • Liquid gas nozzles (28-30/37mbar) included
Included accessories	<ul style="list-style-type: none"> • 1 x WOK attachment ring
Optional Accessories	<ul style="list-style-type: none"> • HZ394301 Connection rail • HZ298105 Simmer plate



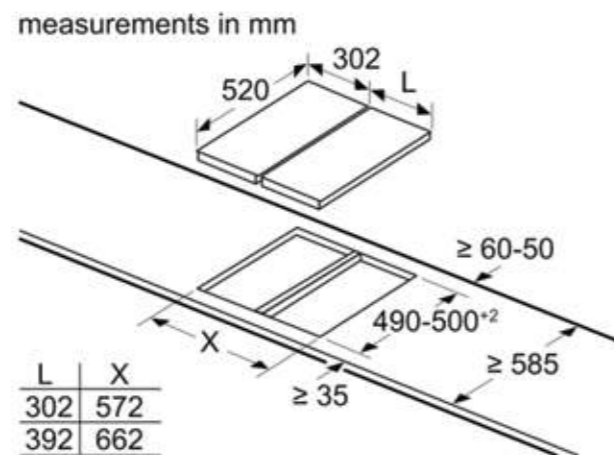
ER3A6AD70I	30cm, Gas hob with integrated controls, Black Ceramic glass Gas hob
Key Highlights	<ul style="list-style-type: none"> • stepFlame technology • Brass Burner • 7-segment display • Sword Control Knobs • Ceramic top sheet • Special flat burner design • Dual wok burner, Center: Wok burner 6 KW • Can be combined with Domino ceramic hobs. • Pan supports dishwasher proof
Design & Innovation features	<ul style="list-style-type: none"> • stepFlame technology: precise heat control with nine different flame steps. • The 7-segment display informs about the chosen power level. • The dual wok burner with dual flame system and 6 KW of power is ideal for a wide variety of foods, even in large quantities. • Dishwasher proof pan supports are extremely easy to remove and clean in the dishwasher. • High-quality materials and workmanship – continuous cast-iron pan supports.
Safety & Quality features	<ul style="list-style-type: none"> • Flame Failure Safety Device • Residual heat indicator
Dimensions	<ul style="list-style-type: none"> • Appliance Dimensions (HxWxD): 4.5cm x 30.2cm x 52cm • Cut Out Dimensions (HxWxD): 4.5cm x 27cm x 49-50cm
Technical Information	<ul style="list-style-type: none"> • Connecting cable: 100 cm • Total connected gas load: 6 KW • Center: Wok burner 6 KW • Liquid gas nozzles (28-30/37mbar) included • India plug (6 Ampere)
Included accessories	<ul style="list-style-type: none"> • 1 x WOK attachment ring
Optional Accessories	<ul style="list-style-type: none"> • HZ394301 Connection rail • HZ298114 Small pot support • HZ298105 Simmer plate



Domino Teppanyaki

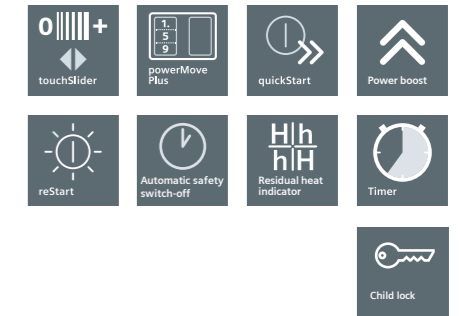


ET475FYB1E	40cm Teppan Yaki
Key Highlights	<ul style="list-style-type: none"> Stainless steel cooking zone with touchSlider 2 cooking zones (half or full) reStart function 17 power levels Automatic safety switch off
Design & Innovation features	<ul style="list-style-type: none"> Stainless steel cooking zone with touchSlider Black ceramic cover for covering while not being used 2 cooking zones (half or full) Thermostat setting: 160° - 240°C Keep warm function (at 70°C) Zone extension sensor Cooking timer setting up to 99 mins 17 power levels reStart function Timer
Safety & Quality features	<ul style="list-style-type: none"> Two stage residual heat indicator Heat up indicator Automatic safety switch off Childproof lock function
Dimensions	<ul style="list-style-type: none"> Appliance Dimensions (HxWxD): 9cm x 39.2cm x 52cm Cut Out Dimensions (HxWxD): 9cm x 36cm x 49-50cm
Technical Information	<ul style="list-style-type: none"> Connecting cable: 100cm Total connected load: 1.9 KW
Optional accessories	<ul style="list-style-type: none"> HZ394301 - Connection rail

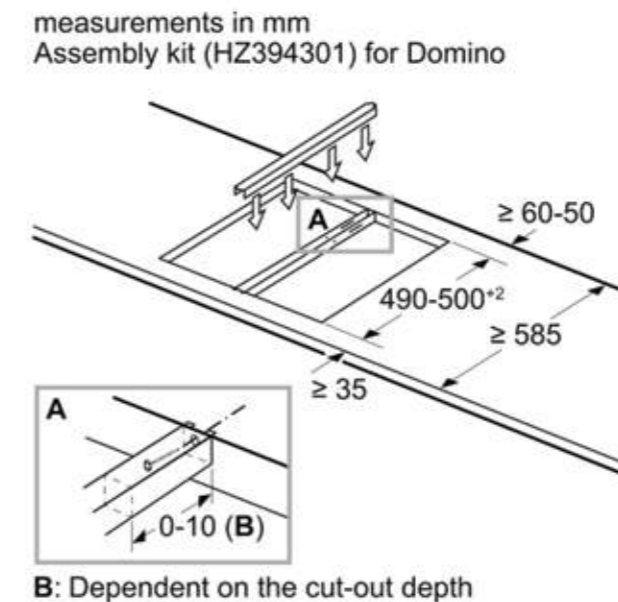


When installing two or more Domino units side-by-side, one or more assembly kits are required (2 units = 1 assembly kit, 3 units = 2 assembly kits, etc.).

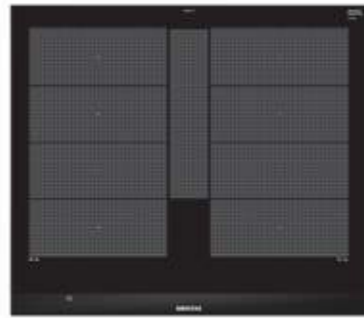
Domino flexInduction hob



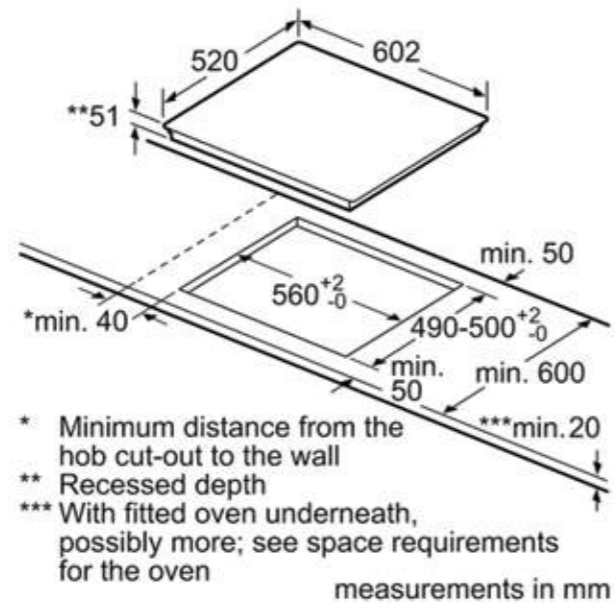
EX375FXB5I	30cm flexInduction hob
Key Highlights	<ul style="list-style-type: none"> flexInduction hob with touchSlider 17 Power levels powerMove Plus with 3 steps Two stage residual heat indicator for each zone Automatic safety switch off
Design & Innovation features	<ul style="list-style-type: none"> Front facette design with stainless steel frame flexInduction zone: extended cooking surface for multiple pots and pans of any size touchSlider function Cooking zone power: 3.3 KW 17 Power levels powerMove Plus with 3 steps quickStart function reStart function Energy consumption display Cooking timer with switch-off function for all zones PowerBoost function for all cooking zones Timer
Safety & Quality features	<ul style="list-style-type: none"> Two stage residual heat indicator for each zone Automatic pan recognition Automatic safety switch off Childproof lock function
Dimensions	<ul style="list-style-type: none"> Appliance Dimensions (HxWxD): 5.1cm x 30.2cm x 52cm Cut Out Dimensions (HxWxD): 5.1cm x 27cm x 49-50cm
Technical Information	<ul style="list-style-type: none"> Connecting cable: 110cm Total connected load: 3.7 KW
Optional accessories	<ul style="list-style-type: none"> HZ390512 - Teppanyaki (large) HZ390511 - Teppanyaki (small) HZ394301 - Connection rail



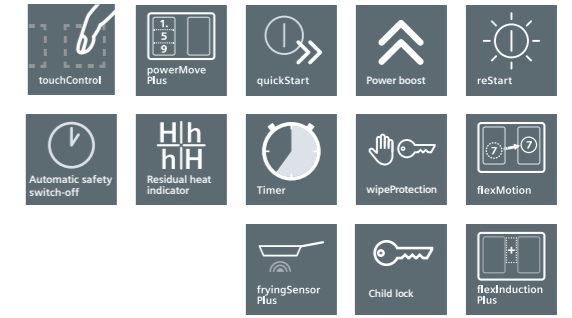
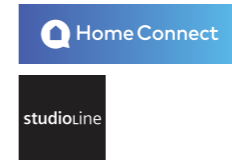
flexInduction Hobs



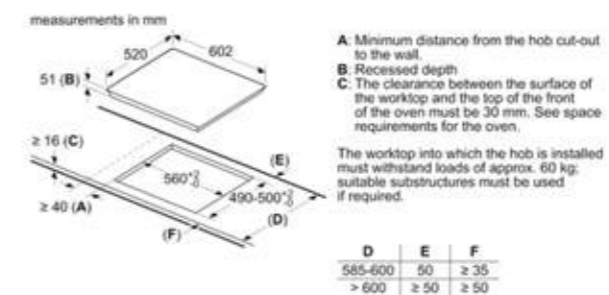
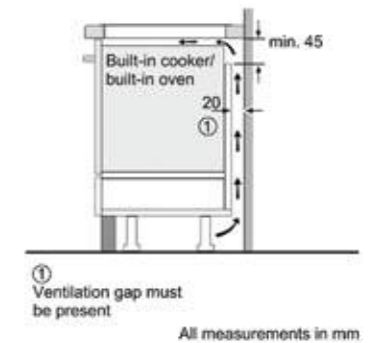
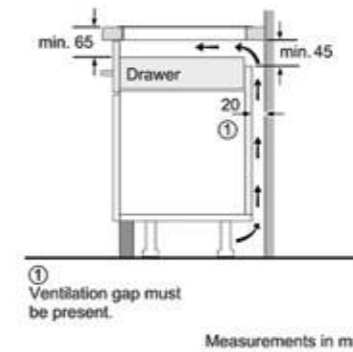
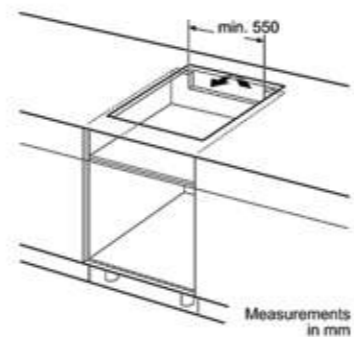
EX675LYC5I	60cm flexInduction Hob
Key Highlights	<ul style="list-style-type: none"> flexInduction hob with Dual lightSlider touch control 2 flexInduction zones with flexInduction Plus feature powerMove Plus fryingSensor Plus with 5 temperature settings flexMotion
Design & Innovation features	<ul style="list-style-type: none"> Induction hob with Dual lightSlider touch control flexInduction zone: extended cooking surface for multiple pots and pans of any size flexInduction vector zone on left: 3.3 KW flexInduction vector zone on Right: 3.3 KW 17 power levels flexInduction Plus as extended cooking zone powerMove Plus with 3 steps Keep warm function quickStart function reStart function Energy consumption display Cooking timer for all cooking zones powerBoost function for all cooking zones
Safety & Quality features	<ul style="list-style-type: none"> Two stage residual heat indicator for each zone Wipe protection function Automatic pan recognition sensor Childproof lock function Automatic safety switch off
Dimensions	<ul style="list-style-type: none"> Appliance Dimensions (HxWxD): 5.1cm x 60.2cm x 52cm Cut Out Dimensions (HxWxD): 5.1cm x 56cm x 49- 50cm
Technical Information	<ul style="list-style-type: none"> Connecting cable: 110cm Total connected load: 7.4 KW
Optional accessories	<ul style="list-style-type: none"> HZ390512 - Teppanyaki (large) HZ390511 - Teppanyaki (small) HZ394301 - Connection rail



StudioLine flexInduction Hob



EX677LEV5E	60cm flexInduction Hob
Key Highlights	<ul style="list-style-type: none"> 4 Induction cooking zones Flex zone Dual lightSlider touch control Switch off timer for every cooking zone reStart Function quickStart Function Keep warm function for all cooking zones Home Connect Energy consumption display
Quickness:	<ul style="list-style-type: none"> PowerBoost function for all zones panBoost
Design & Innovation features	<ul style="list-style-type: none"> 17 power levels Black ceramic cover for covering while not being used Count up Timer FryingSensor Plus: Maintains the desired pan temperature automatically after heating up to avoid scorching. powerMove Plus : Adjust heat levels in three steps just by moving the cookware
Safety & Quality features	<ul style="list-style-type: none"> Digital - Two step residual heat indicator Automatic pan recognition sensor powerManagement function Automatic safety switch off Childproof lock function Wipe Protection Function Quick Stop
Dimensions	<ul style="list-style-type: none"> Appliance Dimensions (HxWxD): 5.1cm x 60.2cm x 52cm Cut Out Dimensions (HxWxD): 5.1cm x 56cm x 49-50cm
Technical Information	<ul style="list-style-type: none"> Connection cable: 110 cm Connected load: 7.4 KW
Optional accessories	<ul style="list-style-type: none"> HZ394301 Connection rail & HZ390512 Teppanyaki (large)



Cooktop accessories



HZ298114
Small pot support

For models
EP6A6HB20I, EP9A6QB90I
ER3A6AD70I, ER9A6SD70I



HZ9VEDU0
Acoustics Filter

For models
EX875LX67E



HZ9VRPD0
Basic kit (partly) ducted
recirculation

For models
EX875LX67E



HZ9VRUD0
Starter kit unducted
recirculation (Plug)

For models
EX875LX67E



HZ390512
Large Teppanyaki plate for
flexInduction®

For models
EX375FXB5I, EX675LYC5I
EX677LEV5E, EX875LX67E



HZ298105
Simmer plate for gas cooktops

For models
EC6A5HB90I, EC9A5RB90I
EC9A5SB90I, EP6A6HB20I
EP9A6QB90I, ER3A6AD70I
ER3A6BD70I, ER9A6SD70I



HZ390511
Small Teppanyaki plate

For models
EX375FXB5I, EX675LYC5I



HZ394301
Connection rail for the
combination of domino
cooktops

For models
EX375FXB5I, EX675LYC5I
ER3A6AD70I, ER3A6BD70I
ET475FYB1E, EX677LEV5E
EX875LX67E





Rangehoods

A kitchen is not complete without an efficient rangehood to protect against condensation, grease and cooking odours. Siemens rangehoods have been designed to coordinate seamlessly with the rest of the Siemens range, whilst providing quiet yet powerful extraction.



Island Hoods
Neatly concealed for a clean and minimal look.



Wall Mount Hoods
Powerful extraction meets beautiful design for a focal point in your kitchen.



Telescopic Hoods
Extends when in use and slides neatly away until you need it again.



Ceiling Hoods
The new varioLift ceiling hood seamlessly integrates in your kitchen and the height can be adjusted for maximum effect.



How to choose a Hood?

Ducted or recirculated?

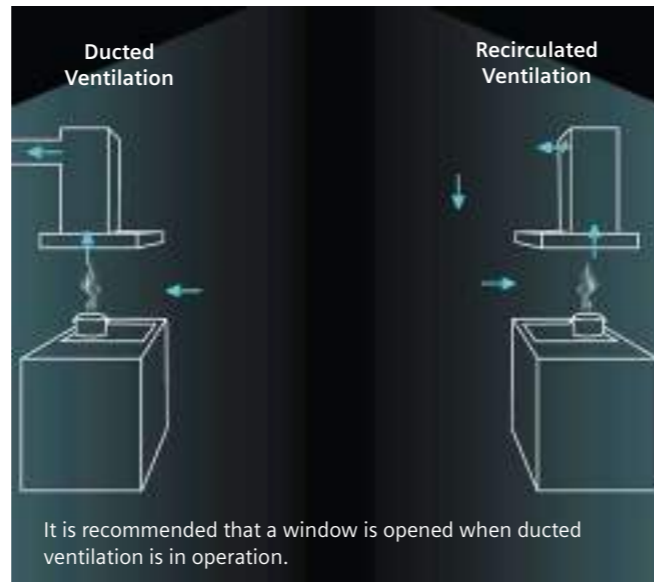
For optimum performance, your extractor hood should be ducted to the outside of the house, so that the extracted air is vented outside. But sometimes this is not practical, so most Siemens hoods can also operate in recirculating mode; where the air is passed through the metal filter to remove grease, and then through a carbon filter to remove odours before being directed back into the kitchen. Although the extraction rate is slightly lower when using this method than ducted extraction and the carbon odour filter will need to be replaced, recirculating the air offers an energy efficient benefit; cool air is retained in the home in the summer and warm air does not vent out during winter months.

Ducted Ventilation

- Extracts up to 98% of odours with perfect installation
- Extracts steam
- Effectively planned ducting system required

Recirculated Ventilation

- Removes up to 95% of odours with cleanAir filters
- Easy to install – no ducting required
- Separate recirculation kit required



The power to perform.

A chosen hood must be powerful enough to effectively remove moisture and cooking odours from a kitchen. We recommend the hood should be able to change the air in the kitchen 6-12 times per hour. Using this quick calculation, you can check whether a hood is sufficiently powerful. Firstly, calculate the volume of the kitchen (HxWxD metres). Next multiply that figure by 12. The resulting figure is the ideal extraction rate required in intensive mode. Match this to a lower power level on the hood to avoid having to run at full power for increased efficiency.

FOR EXAMPLE
 Room: 4m x 4m x 2.5m = 40m³
 12 changes per hour in intensive operation:
 12 x 40m³ = 480m³/h
 So the hood must achieve >480m³/h in intensive mode.



Recirculation filters.



	ACTIVE CARBON FILTER	CLEANAIR FILTER*	REGENERATIVE CLEAN AIR FILTER*
Odour reduction	Up to 86%	Up to 95%	Up to 95% or up to 86% if installed without chimney
Lifetime	6-12 months	12 months	10 years
Benefits	Anti-fish treatment	Increased surface area, High odour reduction, Up to 3dB (A) sound reduction, improved extraction and performance, Anti-fish treatment	High odour reduction, Up to 3dB (A) sound reduction, Regenerated in the oven every 4 months recommended (2 hours, 200°C), Improved extraction performance
Installation	Behind grease filters, inside the hood	Extra module required to house the CleanAir filter Option 1: stainless steel module attached to hood chimney Option 2: Integrated plastic module fitted inside the chimney piece	Extra module required (as per CleanAir filter) onto chimney or inside chimney. Chimless installation possible (Angled and flat hoods only)

*CleanAir and Regenerative filters not available for all styles of hood. Additional module may be required to house the filter. Images for example only, different filters may come in a different size and style.

Enhance the cooking process. While taking a break from it.

Monitor your Siemens cooktops and rangehoods with Home Connect from wherever you are, whatever you do. Home is where your app is.

For more information, scan this QR code



Easy Monitoring

Turn On/Off your appliance remotely with your smart phone

cookConnect system

Available on selected Siemens studioLine hoods, connect this hood to a hob with the cookConnect feature and enjoy managing your hob while the hood sensors follow your cooking method and settings automatically.

emotionLight

Your extractor hood now adapts to your taste. Simply choose between many different background light colours – for an extractor hood that matches your preferences. The colour range is extendable via the Home Connect App, choose from 256 colours.

Using our partner, IFTTT, you can now set up Applets to change the colour of your hood depending on a variety of factors. For example if you purchased a Siemens oven with Home Connect, you could programme the hood colour to change to red when the oven finishes cooking. Simple ways to create new possibilities in your household.

Maintenance Alert

It also shares timely notification on grease filter and carbon saturation to ensure optimum performance.





Elite design and exciting innovations to impress in your kitchen: studioLine hoods.

The premium Siemens studioLine hoods collection consists of one varioLift hood, one decorative wall hood and one island hood.

Our studioLine highlight, the varioLift hood, has an impressive mechanism that means it can be lowered by up to 5 positions for maximum effect when cooking or raised to seamlessly integrate into your kitchen. Operate this appliance using voice control, or by using a remote control.

Equally the wall mounted hood and the island hood are elegant and sophisticated in their appearance and offer top of the range features including cookConnect; the ability to pair the hood appliance with a matching hob so the hood reacts to the hob cooking speeds and other functions.

The disguised high-quality black metal grease filters perfectly combine form and function whilst the emotionLight Pro, exclusive to these models, offers 256 adjustable ambient background colours through the Home Connect app so you can set the ideal mood in your living space.

With options including Home Connect, LED lights and quieter iQdrive motors, explore the beautiful and impressive studioLine hoods collection with their incredible technology that helps cooking and entertaining become enjoyable and more care-free.



studioLine

Whether you are elevated or relaxed, our new studioLine hoods works around you.

The studioLine hood appliances are more than just highly functional equipment – they form part of an ambitious lifestyle and an expression of individuality. Siemens appliances are created for those who want to turn every day into something extraordinary.



climateControl sensor

Experience seamless cooking with climateControl. This worry free function senses the volume of steam during the cooking process, adjusting the appliance automatically to ensure odours and steam are removed as quickly as possible through the hood.



iQdrive

Selected studioLine hoods feature innovative technology that saves energy. This is thanks to the highly efficient, durable brushless iQdrive motor which is powerful, but requires very little energy to run.



lightTemperature

Unique to studioLine, the adjustable LED lights offer the ability to set the lighting at a desired white colour temperature. Use the Home Connect App to adjust the hue emitted from the LED lights from cool to warm white (2,700 K - 5,000 K) via the sliding adjustment scale. This feature enables you to adjust the type of white light to align with other kitchen lighting or to set the right ambience in the room.



It's functional but show-stopping ability to move up and down from the ceiling seamlessly using either a remote control, through the hob or through the Home Connect App offers you more space as and when you need it. You can really tailor your kitchen space with this appliance, with a height that can be adjusted to 5 different height settings through the Home Connect App - for extra flexibility. Remote control gives you even more versatility as you can hide the appliance away when you are entertaining, creating a more spacious feel in your kitchen. Adversely you can bring the hood closer down depending on what you are cooking for easier access to the filters for cleaning. Moving the hood closer to the cooking improves performance as you can bring cooking steam closer to the extractor fan. With the integrated iQdrive you will receive quieter noise levels and you can even manage this appliance by using voice control, through Home Connect partner Amazon Alexa.

Unique filter

The studioLine varioLift hood is designed primarily for recirculation. The hood therefore comes with premium recirculation filters to keep the air in your kitchen fresh.

New CleanAir Plus filters feature the benefits of CleanAir filters with added anti-pollen properties. This special biofunctional layer binds and deactivates allergens.



"Image is for representation purpose only"



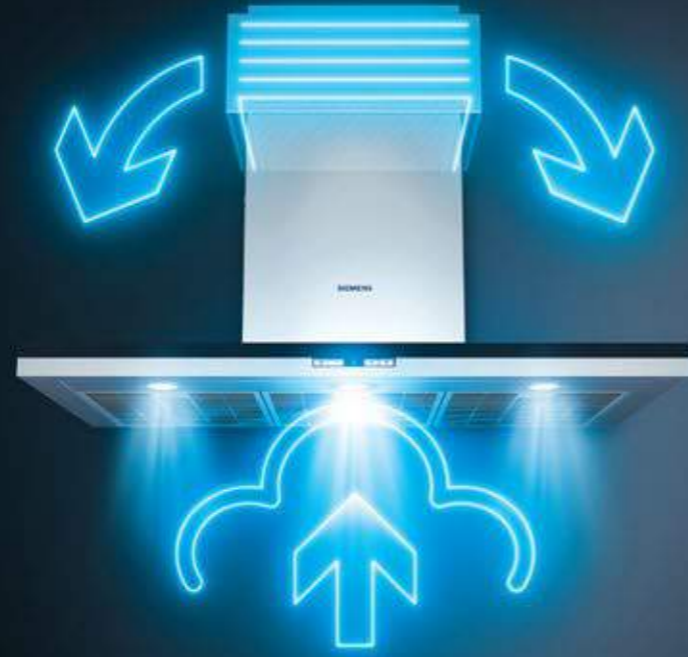
iQdrive motor: Efficient, quiet and robust. This is how we simplify life for you.



Driving our rangehoods is the patented iQdrive: A high-performance magnetic motor which is most powerful, silent & durable. The air in the kitchen remains clean and fresh, no matter what you are cooking. The high performance hoods are both wear resistant and pleasantly silent – thanks to the frictionless and iQdrive motor. The brushless mechanism enables it to remain cool – eliminating energy loss and faults typically caused by frictional heat – and also makes it remarkably quiet. Moreover, it convinces by its low power consumption and longlasting quality.



Hood key features.



Controlling your hood.



touchControl
The design of touchControl is integrated into the black glass panel for easy control at the touch of a finger, not to mention sleek design and easy cleaning.



touchSlider
Control your Siemens hood with ease by simply sliding your finger along the touchSlider to select the power level. Stunning design meets sleek control with touchSlider.



Remote control
With a hood installed in the ceiling it is important to have complete control. Siemens ceiling hoods come with a remote control to change and manage each setting with ease.



PushControl
Simply select the setting by pushing the button

Other lighting options.



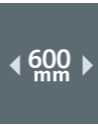
LED Illumination
All Siemens hoods are equipped with state-of-the-art LED lighting, ensuring the hob is illuminated evenly and clearly.



softLight with Dimmer
Allows you to dim the lights of the hood, perfect for when you're finished cooking and want to create a subtle glow in your kitchen.



Other product features



Width
Indicates the width of the hood. Siemens offer a wide range of hoods to fit different sized niches with our range of hobs. For optimal results, the cooker hood should be at least as wide as the hob. Our hood widths range from 370-1200mm.

Intensive setting

The intensive setting creates a powerful boost of extraction, perfect for tackling demanding food such as stir fry or steamed vegetables. This ensures moisture is properly eradicated, without misting windows and keeping the kitchen air fresher.

Boost Position

For our Angled and Flat hoods, the Boost Position is enabled by slightly pulling the front panel out to capture more steam and draw more air through the hood, which is particularly effective when frying meat or fish.

Interval Operation

With interval ventilation, the hood switches on automatically at the lowest level for 10 minutes every hour, to keep the air in the kitchen refreshed. The interval ventilation switches off after 24 hours.



Energy efficient hoods*
Siemens hoods feature innovations that make them incredibly energy efficient to run, from our durable and quiet brushless iQdrive motor to LED lighting.

*For individual product energy efficiency ratings please check individual product specifications.

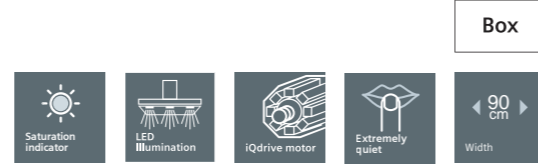
Automatic after running time

This convenient feature reduces cooking odours by allowing the extractor to carry on running automatically after cooking has finished at a low speed for 3 - 30 minutes - the duration the extractor carries on for depends on the model.

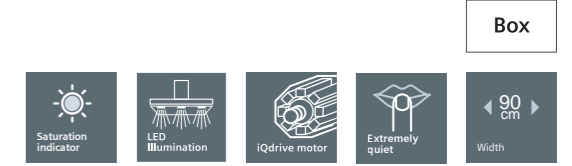
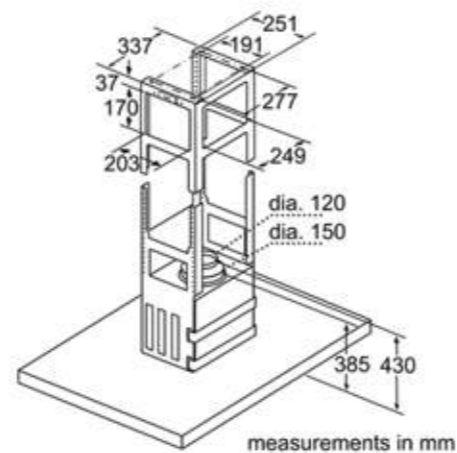
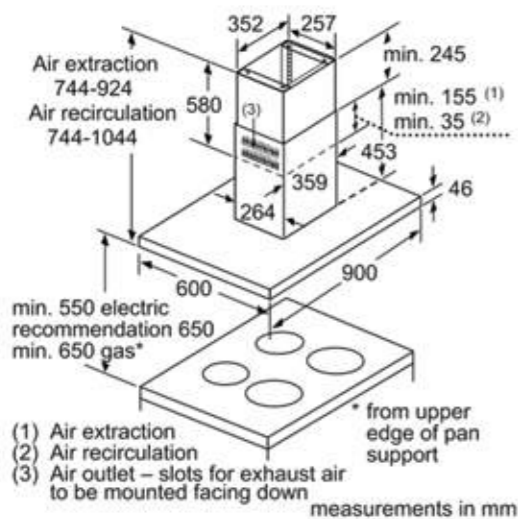
Filter indication indicator system

The filter saturation indicators let you know when your hood's grease filters need to be cleaned with an illuminated symbol on the hood. For hoods installed with a recirculation filter, the saturation indicator will also notify you when the recirculation filter should be replaced or regenerated (depending on type of filter installed).

Island Hoods

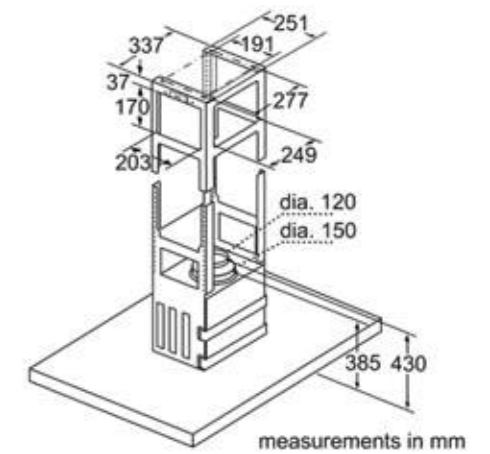
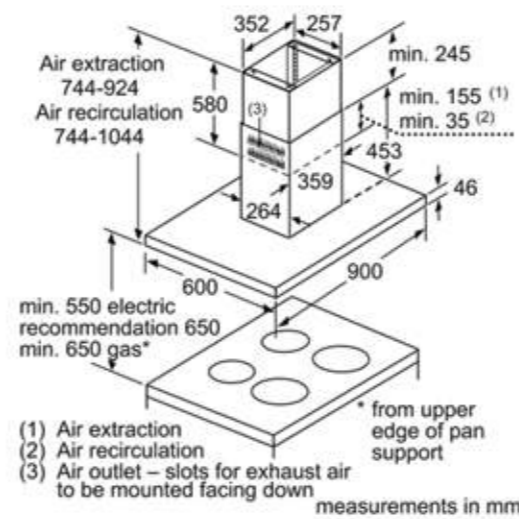


LF98BIP50I	90cm Island Hood
Key Highlights	<ul style="list-style-type: none"> Efficient BLDC motor technology: iQdrive 5 Fan speed LED softLight with dimmer function Maximum extraction power: 870 m³/h
Design & Innovation features	<ul style="list-style-type: none"> 2 Color Zone slim box design Touch control with LED Display Efficient BLDC Motor Technology: iQdrive Fan Speed: 3 Stage + 2 Intensive LED softLight with dimmer function Automatic fan run - on function: duration 10mins. Automatic Intensive revert function: duration 6mins. 3 x Multi cassette metal mesh filters; Dishwasher safe Saturation Indicator: Grease filter and Charcoal filter Maximum extraction power: 870 m³/h Noise Level: 41 dB Suitable for Ducted or Re-Circulated Operations
Dimensions	<ul style="list-style-type: none"> Exhaust Dimensions (HxWxD): 74.4-92.4cm x 89.8cm x 60.0cm Re-circulating Dimensions (HxWxD): 74.4-104.4cm x 89.8cm x 60.0cm
Technical Information	<ul style="list-style-type: none"> Connecting Cable: 130cm Total Connected Load: 166 W
Optional Accessories	<ul style="list-style-type: none"> LZ12385 - Chimney extension 160 cm LZ57600 - CleanAir Recirculation kit LZ56200 - CleanAir Active carbon filter LZ10FXJ05 - Integrated CleanAir Recirculation Kit LZ00XXP00 - CleanAir active carbon filter regenerative

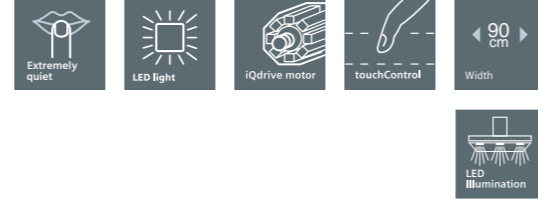


Home Connect

LF91BUV50I	90cm Island Hood
Key Highlights	<ul style="list-style-type: none"> Efficient BLDC Motor Technology: iQdrive 5 Fan Speed LED softLight with dimmer function Maximum extraction power: 940 m³/h
Design & Innovation features	<ul style="list-style-type: none"> 2 Color Zone stainless steel hood Touch control with LED Display Efficient BLDC Motor Technology: iQdrive Fan Speed: 3 Stage + 2 Intensive LED softLight with dimmer function Automatic fan run-on time: duration 10 mins Automatic intensive revert function: duration 6 mins 3 x Multi cassette metal mesh filters; Dishwasher safe Air quality sensor Saturation Indicator: Grease filter and Charcoal filter Maximum extraction power: 940 m³/h Noise Level: 50 dB Suitable for Ducted or Re-Circulated Operations
Dimensions	<ul style="list-style-type: none"> Exhaust Dimensions (HxWxD): 74.4-92.4cm x 89.8cm x 60.0cm Re-circulating Dimensions (HxWxD): 74.4-104.4cm x 89.8cm x 60.0cm
Technical Information	<ul style="list-style-type: none"> Connecting Cable: 130cm Total Connected Load: 266 W
Optional Accessories	<ul style="list-style-type: none"> LZ12385 - Chimney extension 160 cm LZ57600 - CleanAir Recirculation kit LZ56200 - CleanAir Active carbon filter LZ10FXJ05 - Integrated CleanAir Recirculation Kit LZ00XXP00 - CleanAir active carbon filter regenerative

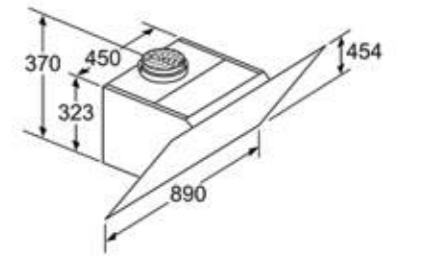
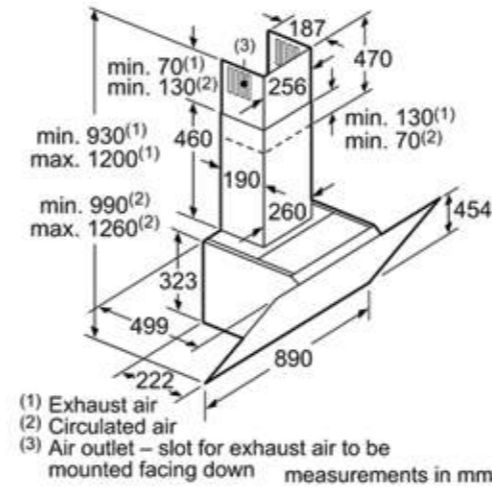


Wall Mounted Hoods

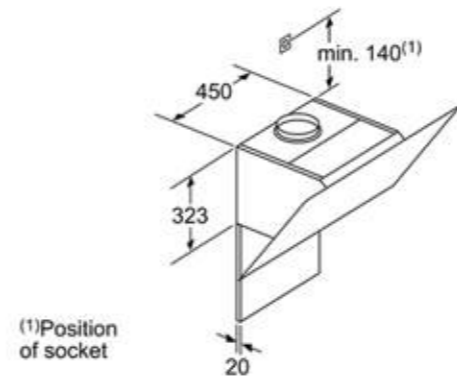


Inclined

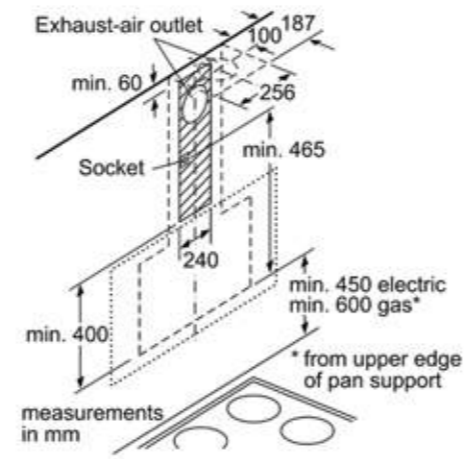
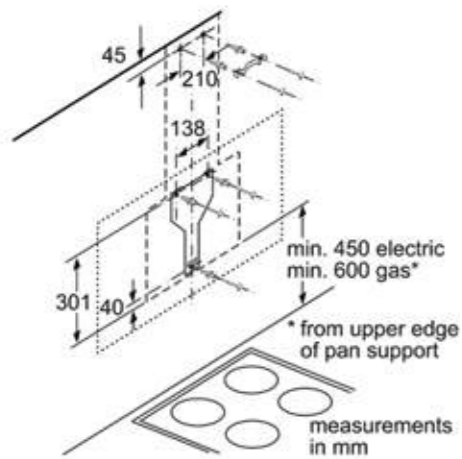
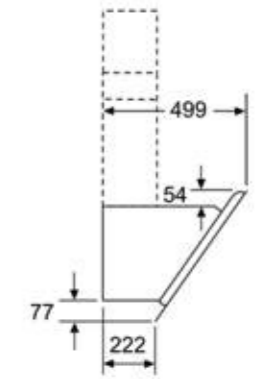
LC91KWP60I	90cm Wall Mounted Hood
Key Highlights	<ul style="list-style-type: none"> Efficient BLDC motor technology: iQdrive 5 Fan speed LED softLight with dimmer function Maximum extraction power: 990 m³/h Noise level: 45 dB
Design & Innovation features	<ul style="list-style-type: none"> Inclined hood Touch control Efficient BLDC motor technology: iQdrive Fan speed: 3 stage + 2 intensive LED softLight with dimmer function Automatic fan run - on function: duration 10mins. Automatic Intensive revert function: duration 6mins. Multi cassette metal mesh washable stainless steel filter Back pressure flap Saturation indicator: Grease filter and Charcoal filter Maximum extraction power: 990 m³/h Noise level: 45 dB Suitable for ducted or re-circulated operations
Dimensions	<ul style="list-style-type: none"> Exhaust Dimensions (HxWxD): 93cm -120cm x 89cm x 49.9cm Re-circulating Dimensions (HxWxD): 99cm-126cm x 89cm x 49.9cm
Technical Information	<ul style="list-style-type: none"> Connecting cable: 130cm Total connected load: 266 W
Optional Accessories	<ul style="list-style-type: none"> LZ10AXL50 - Chimney extention 150cm LZ10AKT00 - Recirculating Kit LZ10AKA00 - Active carbon filter



Appliance in circulated air mode without duct
 Circulated air set required



Note the maximum thickness of the back panel.



Wall Mounted Hoods

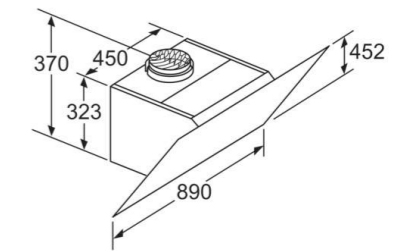
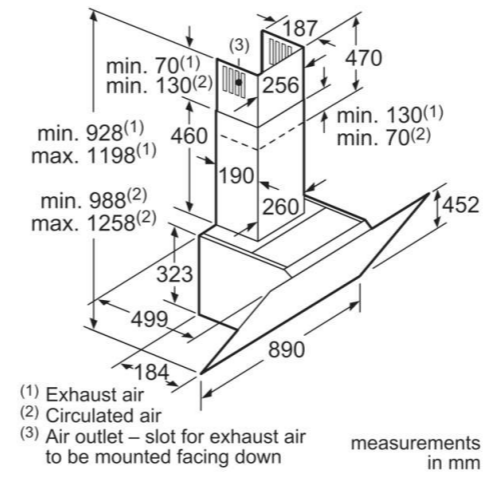


Inclined

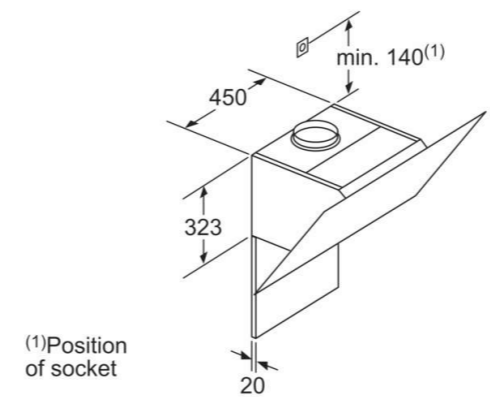


Home Connect

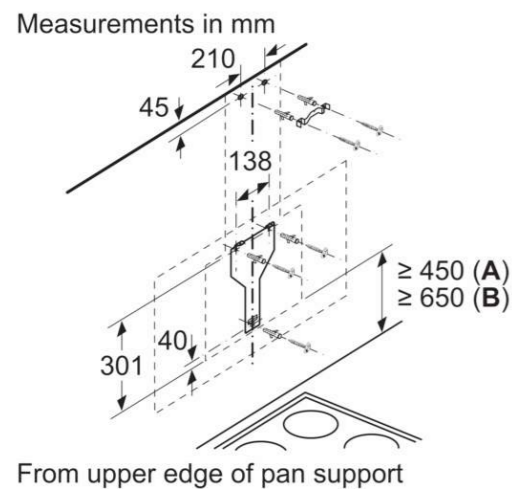
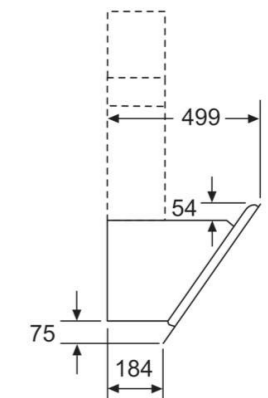
LC98KLV60I	90cm wall Mounted Hood
Key Highlights	<ul style="list-style-type: none"> Efficient BLDC Motor Technology: iQdrive 5 Fan Speed LED softLight with dimmer function Maximum extraction power: 836 m³/h
Design & Innovation features	<ul style="list-style-type: none"> Inclined Hood Touch control with LED Display 2 x LED lights Automatic Fan run - on Function: duration 10 mins Automatic Intensive revert function: duration 6mins. Metal grease filter, dishwasher safe Air Quality Sensor Noise level: 56 dB Suitable for ducted or re-circulated operations
Dimensions	<ul style="list-style-type: none"> Exhaust Dimensions (HxWxD): 93 - 120cm x 89cm x 49.9cm Re-circulating Dimensions (HxWxD): 99 - 126cm x 89cm x 49.9cm
Technical Information	<ul style="list-style-type: none"> Connecting cable: 130cm Total Connected Load: 168 W
Optional Accessories	<ul style="list-style-type: none"> LZ31XXB16 Clean Air Plus odor filter (replacement) LZ11AXE61 Chimney standard black LZ11AXC56 Clean Air Plus recirc. kit external LZ11AKV16 Clean Air Plus recirc. kit (chimless) LZ11AKI16 Clean Air Plus recirculation kit LZ11AKB16 Clean Air Plus odor filter (replacement) LZ10AXL50 Chimney extension 1500 mm LZ10AXK50 Chimney extension 1000 mm LZ10AKS00 Long Life recirculation kit LZ10AKR00 Long Life recirculation kit (chimless) LZ00XP00 Long Life odor filter (replacement)



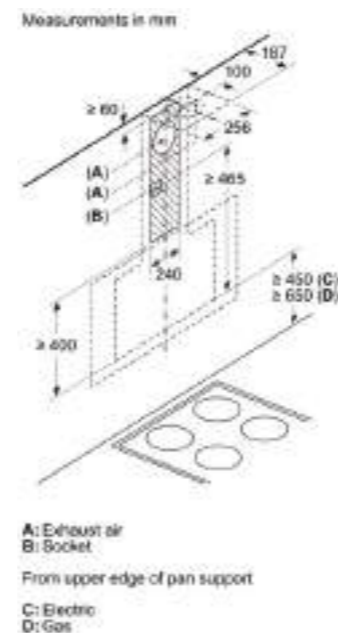
Appliance in circulated air mode without duct
 Circulated air set required
 measurements in mm



Note the maximum thickness of the back panel.
 measurements in mm



A: Electric
 B: Gas



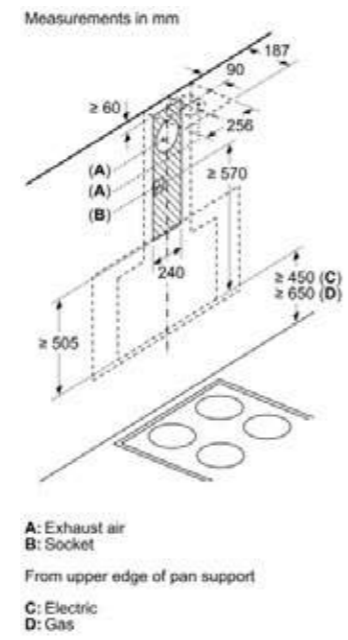
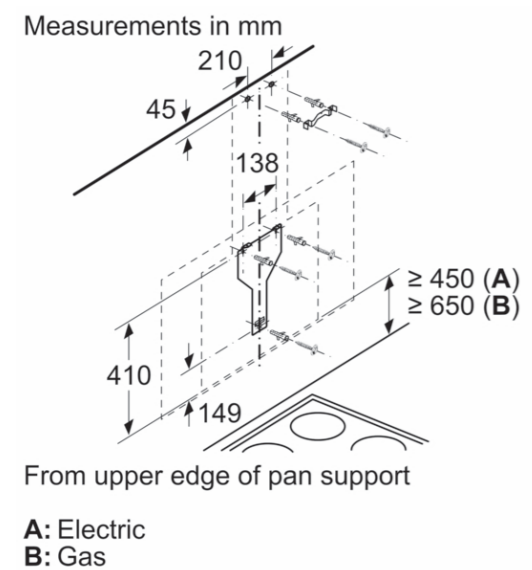
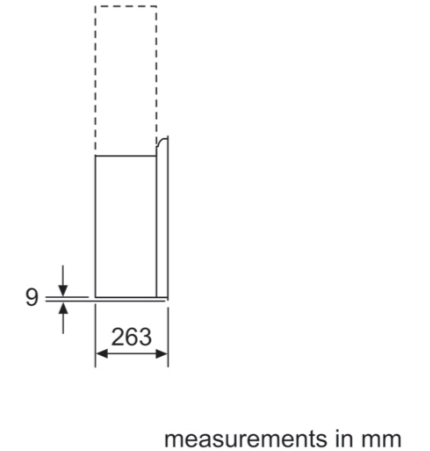
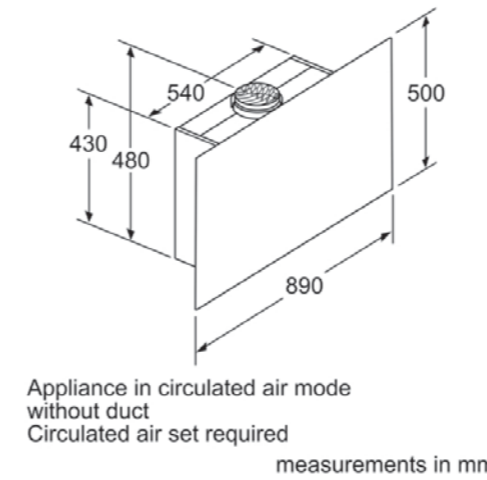
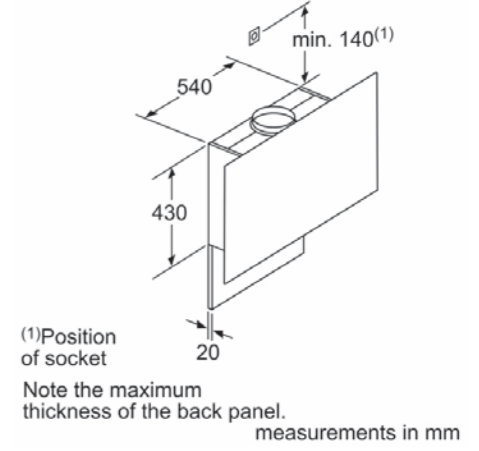
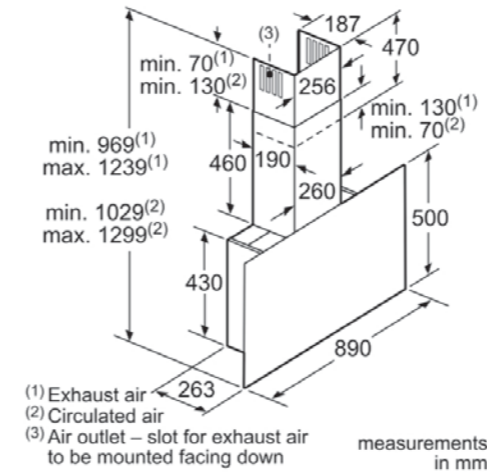
Wall Mounted Hoods



Inclined



LC97FLP60I	90cm Wall Mounted Hood
Key Highlights	<ul style="list-style-type: none"> Efficient BLDC Motor Technology: iQdrive 5 Fan Speed LED softLight with dimmer function Maximum extraction power: 717 m3/h
Design & Innovation features	<ul style="list-style-type: none"> Inclined Hood Touch control with LED Display 2 x LED lights Automatic Fan run - on Function: duration 10 mins Automatic Intensive revert function: duration 6mins. Metal grease filter, dishwasher safe Air Quality Sensor Noise level: 57 dB Suitable for ducted or re-circulated operations
Dimensions	<ul style="list-style-type: none"> Exhaust Dimensions (HxWxD): 96.9cm - 123.9cm x 89cm x 26.3cm Re-circulating Dimensions (HxWxD): 102.9cm - 129.9cm x 89cm x 26.3cm
Technical Information	<ul style="list-style-type: none"> Connecting cable: 130cm Total Connected Load: 143 W
Optional Accessories	<ul style="list-style-type: none"> LZ31XXB16 Clean Air Plus odor filter (replacement) LZ11AXE61 Chimney standard black LZ11AXC56 Clean Air Plus recirc. kit external LZ11AFV16 Clean Air Plus recirc. kit (chimless) LZ11AFI16 Clean Air Plus recirculation kit LZ11AFB16 Clean Air Plus odor filter (replacement) LZ10AXL50 Chimney extension 1500 mm LZ10AXK50 Chimney extension 1000 mm LZ10AFS00 Long Life recirculation kit LZ10AFR00 Long Life recirculation kit (chimless) LZ00XP00 Long Life odor filter (replacement)



Wall Mounted Hoods



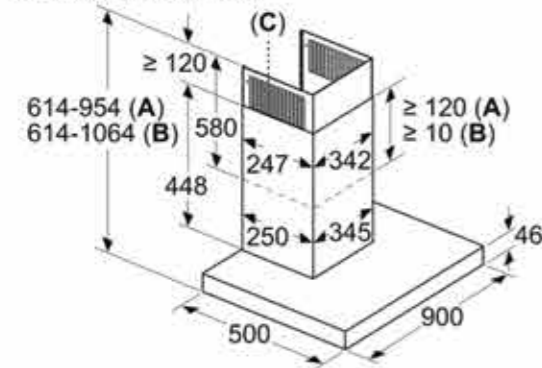
Slim Box



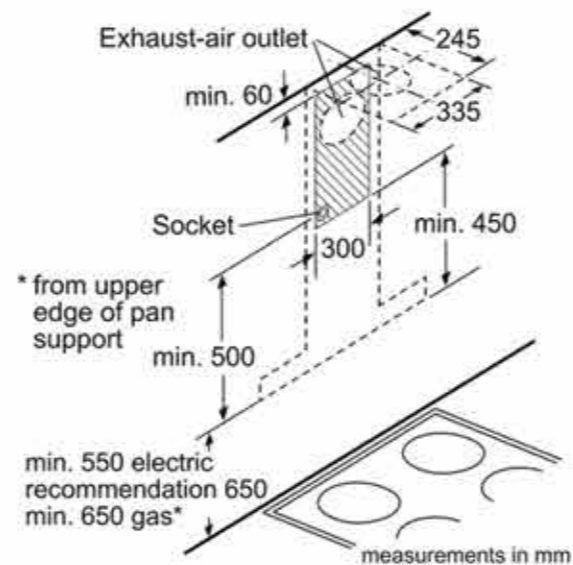
Home Connect

LC91BUV50I	90cm Wall Mounted Hood
Key Highlights	<ul style="list-style-type: none"> Efficient BLDC Motor Technology: iQdrive 5 Fan Speed LED softLight with dimmer function Maximum extraction power: 964 m³/h
Design & Innovation features	<ul style="list-style-type: none"> 2 Color Zone stainless steel hood Touch control with LED Display Efficient BLDC Motor Technology: iQdrive Fan Speed: 3 Stage + 2 Intensive LED softLight with dimmer function Automatic fan run-on time: duration 10 mins Automatic intensive revert function: duration 6 mins 3 x Multi cassette metal mesh filters; Dishwasher safe Saturation Indicator: Grease filter and Charcoal filter Maximum extraction power: 964 m³/h Noise Level: 51 dB Suitable for Ducted or Re-Circulated Operations
Dimensions	<ul style="list-style-type: none"> Exhaust Dimensions (HxWxD): 62.8cm - 95.4cm x 89.8cm x 50cm Re-circulating Dimensions (HxWxD): 62.8cm -106.4cm x 89.8cm x 50cm
Technical Information	<ul style="list-style-type: none"> Connecting cable: 130cm Total Connected Load: 270 W
Optional Accessories	<ul style="list-style-type: none"> LZ12365 - Chimney extension 150 cm LZ57300 - CleanAir Recirculation kit LZ56200 - CleanAir Active carbon filter LZ10FXJ05 - Integrated CleanAir Recirculation Kit LZ00XXP00 - CleanAir active carbon filter regenerative

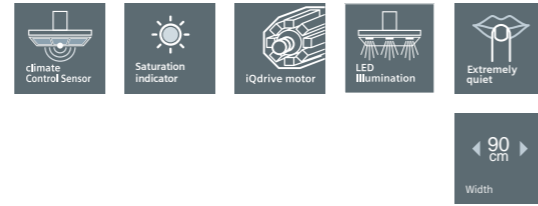
measurements in mm



A: Air extraction
B: Air recirculation
C: Air outlet – slots for exhaust air to be mounted facing down

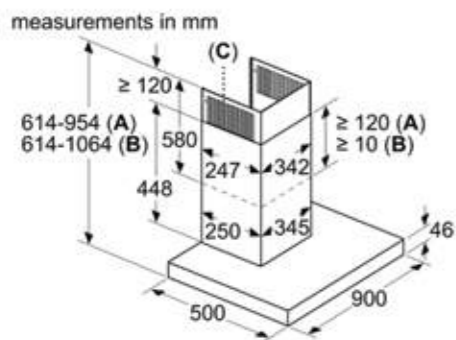


Wall Mounted Hoods

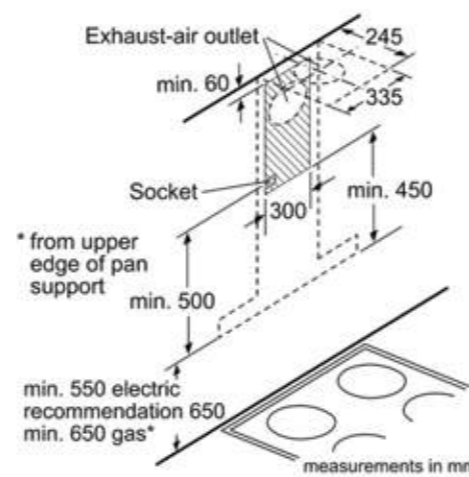


Home Connect

LC98BIT50I	90cm wall Mounted Hood
Key Highlights	<ul style="list-style-type: none"> Efficient BLDC Motor Technology: iQdrive 5 Fan Speed LED softLight with dimmer function Maximum extraction power: 847 m³/h
Design & Innovation features	<ul style="list-style-type: none"> 2 Color Zone stainless steel hood Touch control with LED Display Efficient BLDC Motor Technology: iQdrive Fan Speed: 3 Stage + 2 Intensive LED softLight with dimmer function Automatic fan run-on time: duration 10 mins Automatic intensive revert function: duration 6 mins 3 X Multi cassette metal mesh filters; Dishwasher safe Air quality sensor Saturation Indicator: Grease filter and Charcoal filter Maximum extraction power: 847 m³/h Noise Level: 42 dB Suitable for Ducted or Re-Circulated Operations
Dimensions	<ul style="list-style-type: none"> Exhaust Dimensions (HxWxD): 62.8cm - 95.4cm x 89.8cm x 50cm Re-circulating Dimensions (HxWxD): 62.8cm - 106.4cm x 89.8cm x 50cm
Technical Information	<ul style="list-style-type: none"> Connecting cable: 130cm Total Connected Load: 165 W
Optional Accessories	<ul style="list-style-type: none"> LZ12365 - Chimney extension 150 cm LZ57300 - CleanAir Recirculation kit LZ56200 - CleanAir Active carbon filter LZ10FXJ05 - Integrated CleanAir Recirculation Kit LZ00XXP00 - CleanAir active carbon filter regenerative



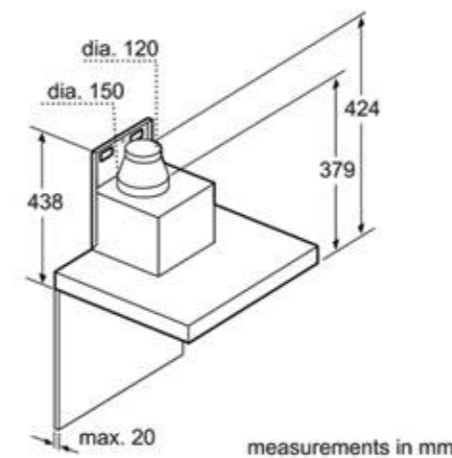
A: Air extraction
B: Air recirculation
C: Air outlet – slots for exhaust air to be mounted facing down



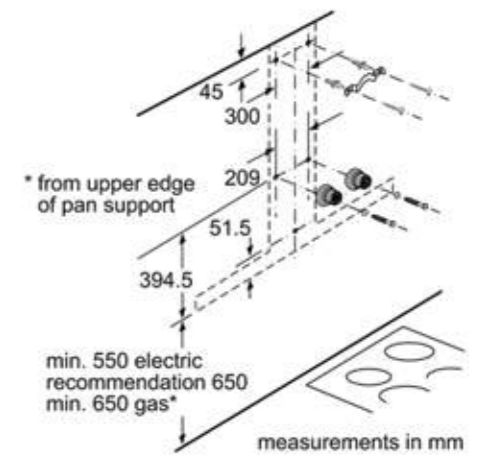
Same line diagrams for LC98BIT50I & LC97BCP50I



LC97BCP50I	90cm Wall Mounted Hood
Key Highlights	<ul style="list-style-type: none"> Efficient BLDC Motor Technology: iQdrive 5 Fan Speed LED softLight with dimmer function Maximum extraction power: 718 m³/h
Design & Innovation features	<ul style="list-style-type: none"> Box design wall mounted hood Touch control with LED Display Efficient BLDC Motor Technology: iQdrive Fan Speed: 3 Stage + 2 Intensive LED softLight with dimmer function Automatic fan run-on time: duration 10 mins Automatic intensive revert function: duration 6 mins 3 x Aluminium mesh filters; Dishwasher safe Saturation Indicator: Grease filter and Charcoal filter Maximum extraction power: 718 m³/h Noise Level: 42 dB Suitable for Ducted or Re-Circulated Operations
Dimensions	<ul style="list-style-type: none"> Exhaust Dimensions (HxWxD): 62.8cm - 95.4cm x 89.8cm x 50cm Re-circulating Dimensions (HxWxD): 62.8cm - 106.4cm x 89.8cm x 50cm
Technical Information	<ul style="list-style-type: none"> Connecting cable: 130cm Total Connected Load: 145 W
Optional Accessories	<ul style="list-style-type: none"> LZ12365 - Chimney extension 150 cm LZ57300 - CleanAir Recirculation kit LZ56200 - CleanAir Active carbon filter LZ10FXJ05 - Integrated CleanAir Recirculation Kit LZ00XXP00 - CleanAir active carbon filter regenerative



Same line diagrams for LC98BIT50I & LC97BCP50I



Wall Mounted Hoods

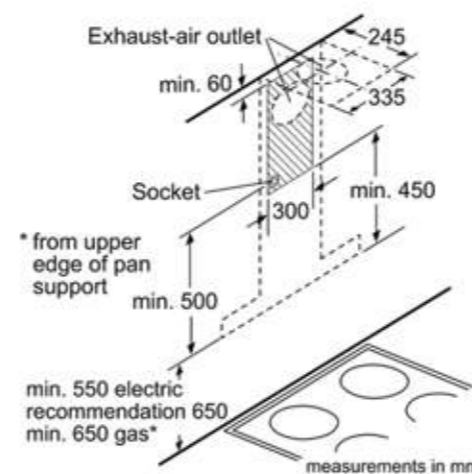
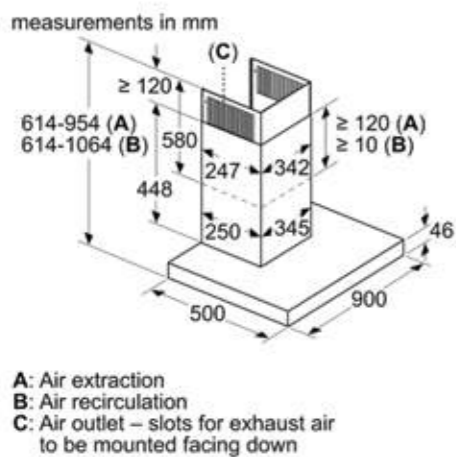


Slim Box

- Saturation indicator
- Extremely quiet
- iQdrive motor
- LED illumination

90 cm Width

LC97BIP501	90cm Wall Mounted Hood
Key Highlights	<ul style="list-style-type: none"> Efficient BLDC Motor Technology: iQdrive 5 Fan Speed LED softLight with dimmer function Maximum extraction power: 700 m³/h
Design & Innovation features	<ul style="list-style-type: none"> 2 Color Zone stainless steel hood Touch control with LED Display Efficient BLDC Motor Technology: iQdrive Fan Speed: 3 Stage + 2 Intensive LED softLight with dimmer function Automatic fan run-on time: duration 10 mins Automatic intensive revert function: duration 6 mins 3 x Multi cassette metal mesh filters; Dishwasher safe Saturation Indicator: Grease filter and Charcoal filter Maximum extraction power: 700 m³/h Noise Level: 42 dB Suitable for Ducted or Re-Circulated Operations
Dimensions	<ul style="list-style-type: none"> Exhaust Dimensions (HxWxD): 62.8cm - 95.4cm x 89.8cm x 50cm Re-circulating Dimensions (HxWxD): 62.8cm - 106.4cm x 89.8cm x 50cm
Technical Information	<ul style="list-style-type: none"> Connecting cable: 130cm Total Connected Load: 145 W
Optional Accessories	<ul style="list-style-type: none"> LZ12365 - Chimney extension 150 cm LZ57300 - CleanAir Recirculation kit LZ56200 - CleanAir Active carbon filter LZ10FXJ05 - Integrated CleanAir Recirculation Kit LZ00XXP00 - CleanAir active carbon filter regenerative

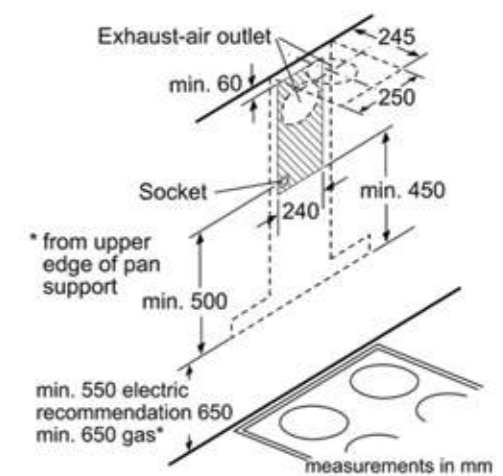
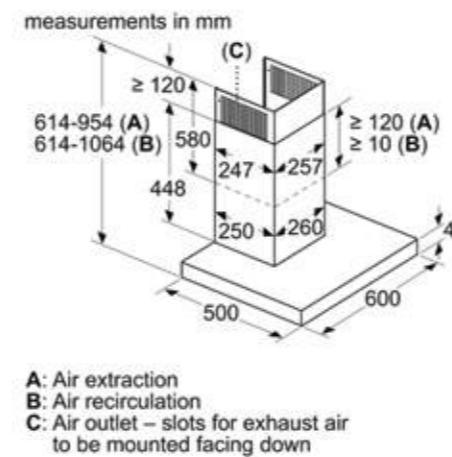


Slim Box

- Saturation indicator
- Extremely quiet
- iQdrive motor
- LED illumination

60 cm Width

LC67BCP501	60cm Wall Mounted Hood
Key Highlights	<ul style="list-style-type: none"> Efficient BLDC Motor Technology: iQdrive 5 Fan Speed LED softLight with dimmer function Maximum extraction power: 674 m³/h
Design & Innovation features	<ul style="list-style-type: none"> Touch control with LED Display Efficient BLDC Motor Technology: iQdrive Fan Speed: 3 Stage + 2 Intensive LED softLight with dimmer function Automatic fan run-on time: duration 10 mins Automatic intensive revert function: duration 6 mins 2 X Aluminium mesh filters; Dishwasher safe Saturation Indicator: Grease filter and Charcoal filter Maximum extraction power: 650 m³/h Noise Level: 47 dB Suitable for Ducted or Re-Circulated Operations
Dimensions	<ul style="list-style-type: none"> Exhaust Dimensions (HxWxD): 62.8cm - 95.4cm x 59.8cm x 50cm Re-circulating Dimensions (HxWxD): 62.8cm - 106.4cm x 59.8cm x 50cm
Technical Information	<ul style="list-style-type: none"> Connecting cable: 130cm Total Connected Load: 143 W
Optional Accessories	<ul style="list-style-type: none"> LZ12350 - Chimney extension 150 cm LZ53251 - Active carbon filter LZ53250 - Recirculating kit LZ10FXJ05 - Integrated CleanAir Recirculation Kit LZ00XXP00 - CleanAir active carbon filter regenerative

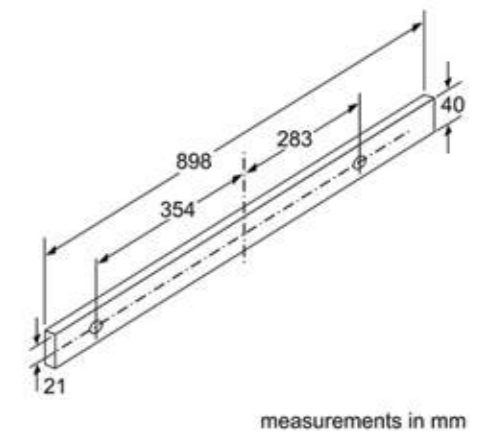
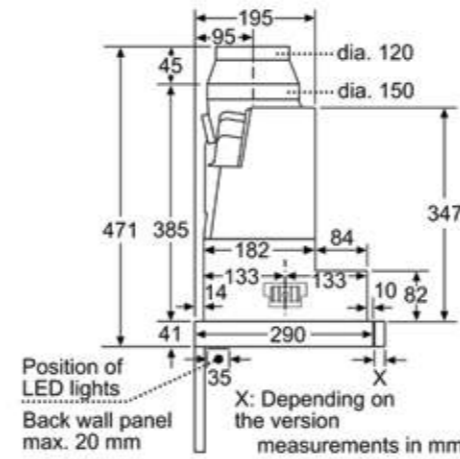
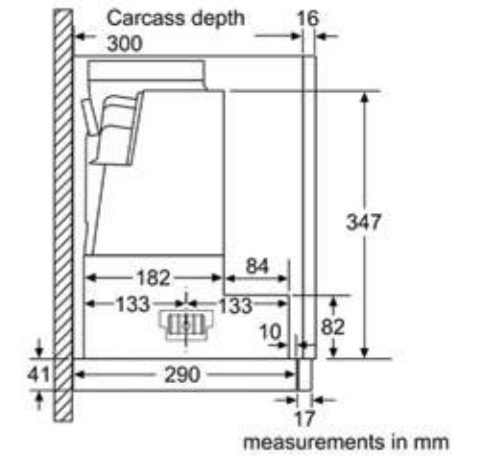
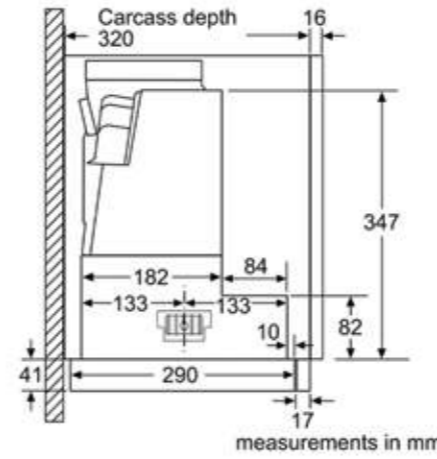
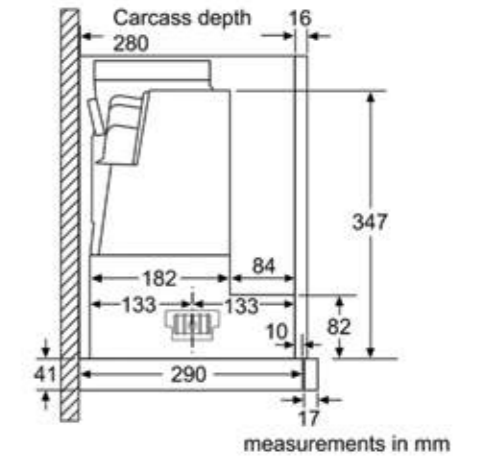
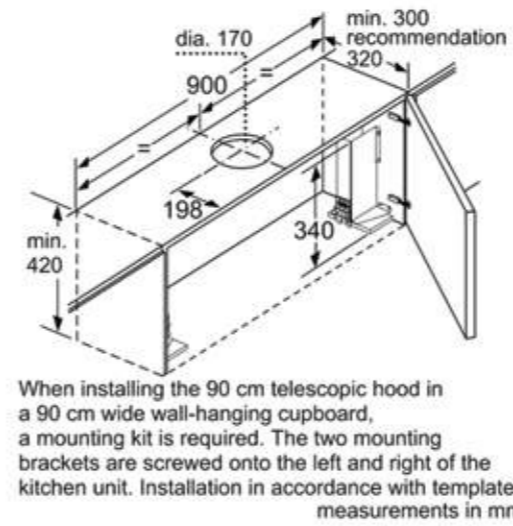
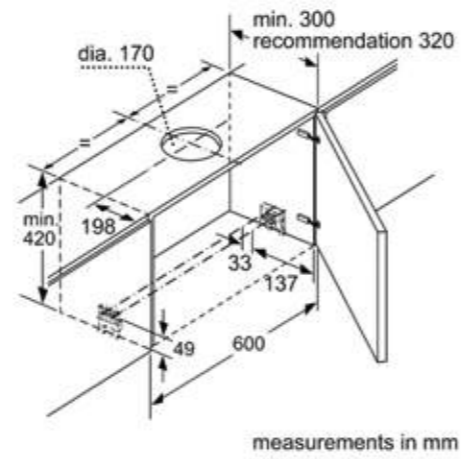
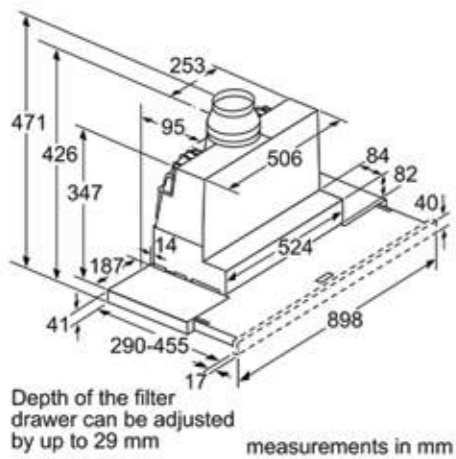


Telescopic Hoods



LI97SA5301	90cm Telescopic Hood
Key Highlights	<ul style="list-style-type: none"> • Efficient BLDC motor technology: iQdrive • 4 Fan speed • LED softLight with dimmer function • Maximum extraction power: 740 m³/h • Noise level: 41 dB
Design & Innovation features	<ul style="list-style-type: none"> • Telescopic hood • Soft touch button control with LED display • Efficient BLDC motor technology: iQdrive • Fan speed: 3 stage + 1 Intensive • LED softLight with dimmer function • Automatic fan run - on function: duration 10mins. • Automatic Intensive revert function: duration 6mins. • 3 x Aluminium mesh filters; Dishwasher safe • Saturation indicator: Grease filter and Charcoal filter • Soft close drawer • Maximum extraction power: 740 m³/h • Noise level: 41 dB • Suitable for ducted or re-circulated operations
Dimensions	• Exhaust / Re-circulating Dimensions (HxWxD): 42.6cm x 89.8cm x 29cm
Technical Information	<ul style="list-style-type: none"> • Connecting cable: 175cm • Total connected load: 146 W
Integrated accessories	• Stainless steel handle strip
Optional Accessories	<ul style="list-style-type: none"> • LZ45650 - Recirculating kit • LZ45610 - Active carbon filter • LZ49200 - Installation kit*

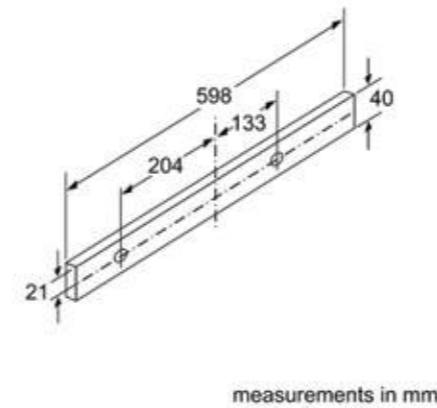
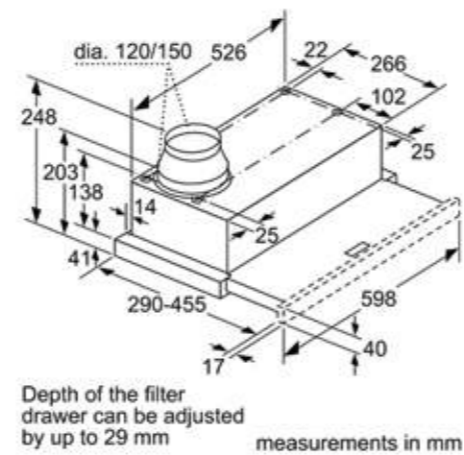
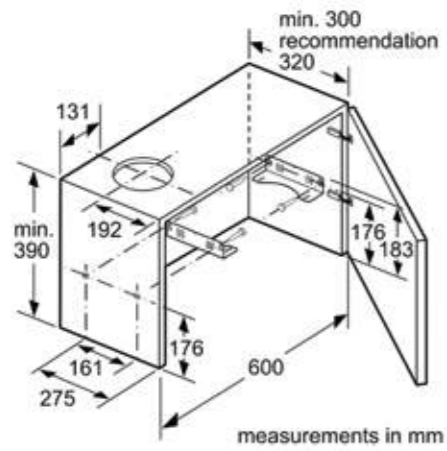
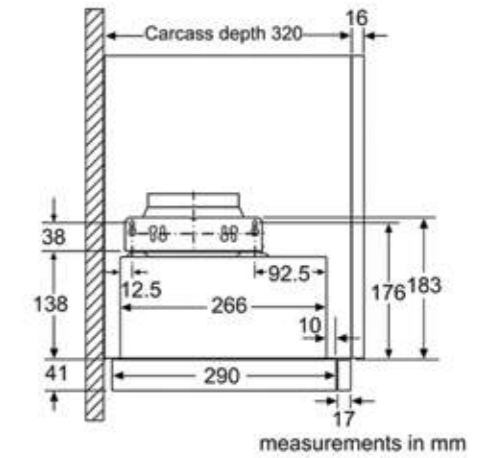
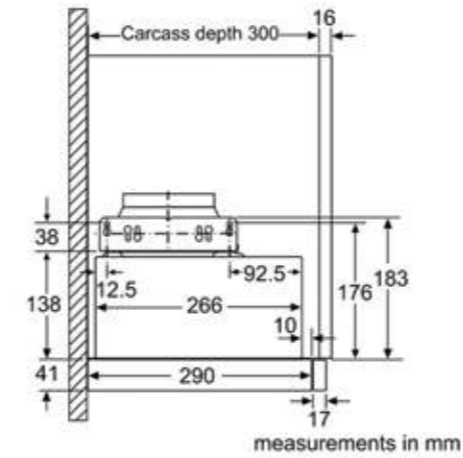
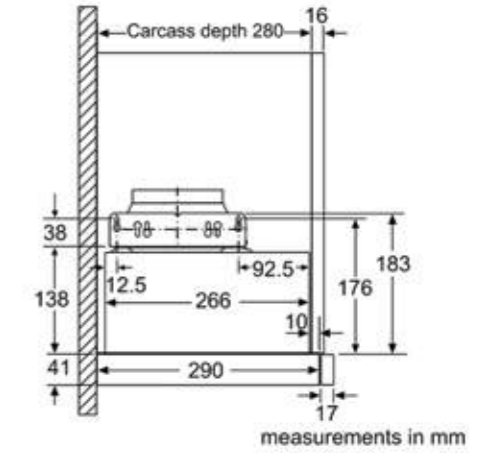
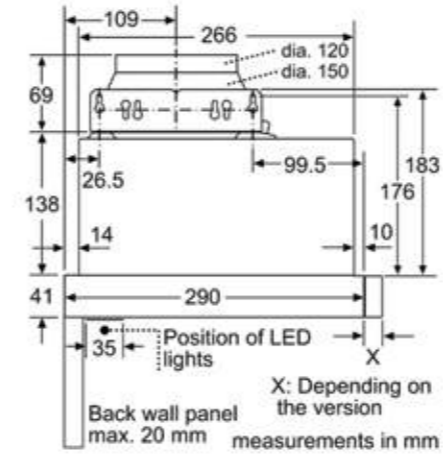
* Installation kit is mandatory to fix the 90cm telescopic hood between the cabinets to avoid damage and has to be ordered separately.



Telescopic Hoods



LI64MA530I	60cm Telescopic Hood
Key Highlights	<ul style="list-style-type: none"> Efficient BLDC motor technology: iQdrive 4 Fan speed LED softLight with dimmer function Maximum extraction power: 420 m³/h Noise level: 45 dB
Design & Innovation features	<ul style="list-style-type: none"> Telescopic hood Soft touch button control with display Efficient BLDC motor technology: iQdrive Fan speed: 3 stage + 1 Intensive 2 x LED lights Automatic fan run - on function: duration 10mins. Automatic Intensive revert function: duration 6mins. 2 x Aluminium mesh filters; Dishwasher safe Back pressure flap Maximum extraction power: 420 m³/h Noise level: 45 dB Suitable for ducted or re-circulated operations
Dimensions	<ul style="list-style-type: none"> Exhaust Dimensions (HxWxD): 20.3cm x 59.8cm x 29cm
Technical Information	<ul style="list-style-type: none"> Connecting cable: 175cm Total connected load: 76 W
Integrated accessories	<ul style="list-style-type: none"> Stainless steel handle strip
Optional Accessories	<ul style="list-style-type: none"> LZ45450 - Recirculating kit LZ45510 - Active carbon filter



studioLine Hoods



studioLine

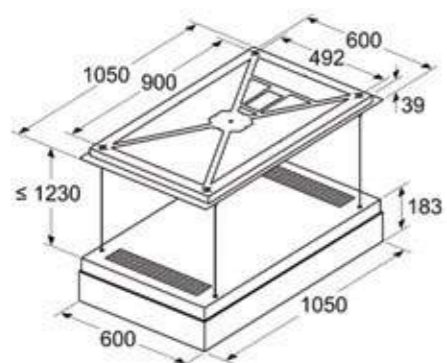
Home Connect

Island

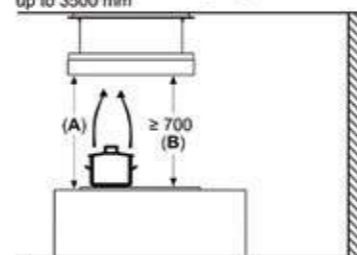


LR18HLT65	105cm Island Hood
Key Highlights	<ul style="list-style-type: none"> Efficient BLDC Motor Technology: iQdrive Fan Speed: 3 Stage + 2 Intensive LED softLight with dimmer function Maximum extraction power: 729 m³/h
Design & Innovation features	<ul style="list-style-type: none"> Island hood Electronic control via Remote with display 6 x LED lights Automatic Fan run - on Function: duration 10 mins Automatic Reset Facility from Intensive to Normal Setting Metal grease filter, dishwasher safe Air Quality Sensor Noise level: 62 dB Suitable for Re-circulated Operation
Dimensions	Re-circulating Dimensions (HxWxD): 25.3 cm x 105 cm x 60 cm
Technical Information	<ul style="list-style-type: none"> Connecting Cable : 120 cm Total Connected Load : 250 W
Optional Accessories	<ul style="list-style-type: none"> LZ21JXB16 Clean Air Plus odor filter LZ20JXP00 Long Life odor filter LZ49200 - Installation kit*

measurements in mm

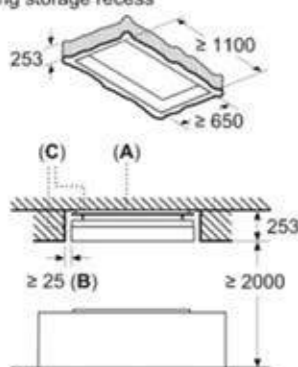


measurements in mm
Recommended for ceiling heights up to 3500 mm



A: Optimum performance 700-1500
B: From upper edge of pan support

measurements in mm
Ceiling storage recess



A: Concrete ceiling
B: ≥ 25 mm all around
C: Depending on the cooking method, residual moisture may escape from the appliance even after use. We therefore recommend treating the ceiling storage recess with a paint that prevents mould formation.



studioLine Hoods



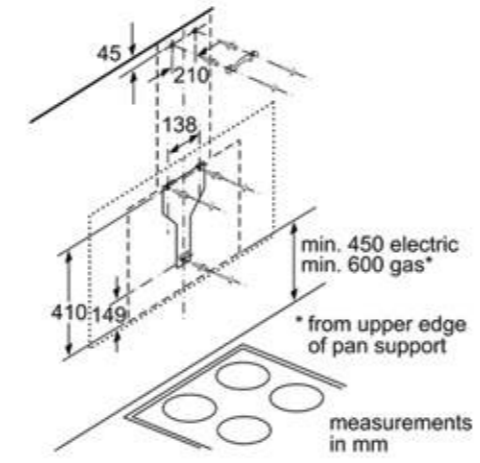
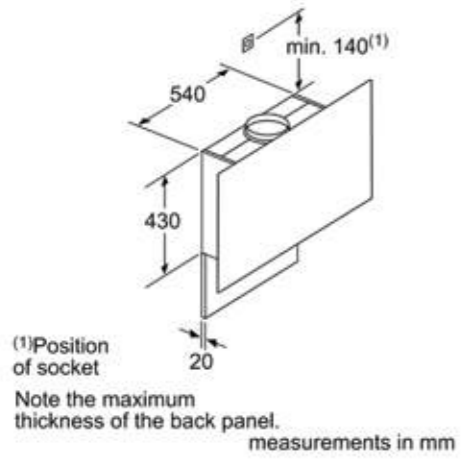
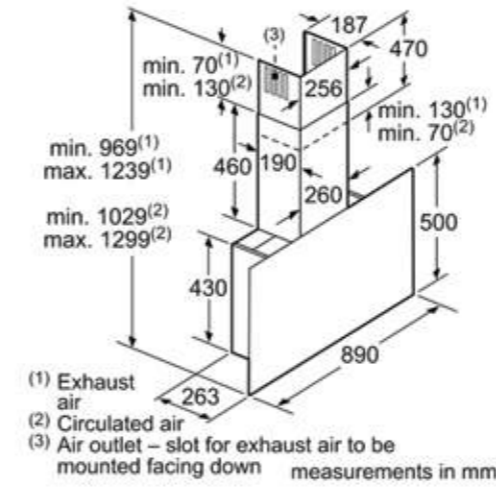
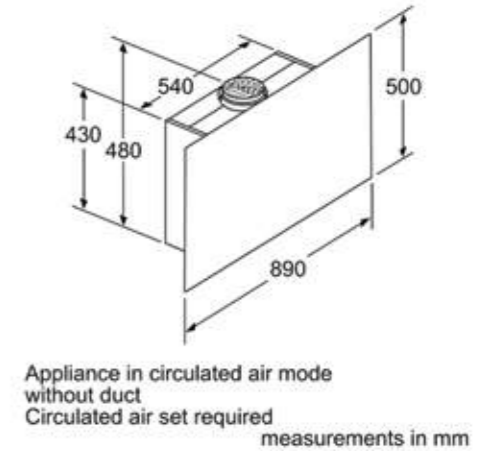
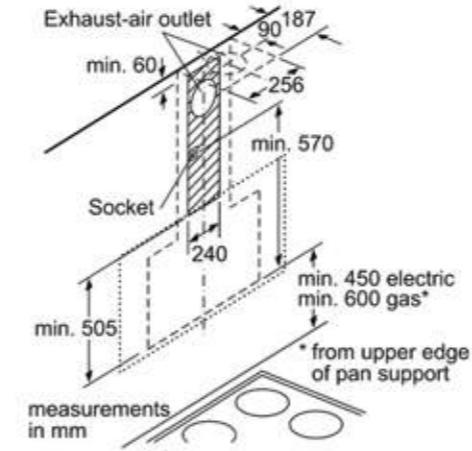
studioLine

Home Connect

Inclined



LC97FVW69I	90cm Wall Mounted Hood
Key Highlights	<ul style="list-style-type: none"> Efficient BLDC Motor Technology: iQdrive Fan Speed: 3 Stage + 2 Intensive LED softLight with dimmer function Maximum extraction power: 717 m³/h
Design & Innovation features	<ul style="list-style-type: none"> Inclined Hood Touch control with LED Display 2 x LED lights Automatic Fan run - on Function: duration 10 mins Automatic Intensive revert function: duration 6mins. Metal grease filter, dishwasher safe Air Quality Sensor Noise level: 57 dB Suitable for ducted or re-circulated operations
Dimensions	<ul style="list-style-type: none"> Exhaust Dimensions (HxWxD): 96.9cm - 123.9cm x 89cm x 26.3 cm Re-circulating Dimensions (HxWxD): 102.9cm - 129.9cm x 89cm x 26.3 cm
Technical Information	<ul style="list-style-type: none"> Connecting Cable : 130 cm Total Connected Load : 150 W
Integrated accessories	<ul style="list-style-type: none"> Stainless steel handle strip
Optional Accessories	<ul style="list-style-type: none"> LZ31XXB16 Clean Air Plus odor filter (replacement) LZ11AXE61 Chimney standard black LZ11AXC56 Clean Air Plus recirc. kit external LZ10AXL50 Chimney extension 1500 mm LZ10AXK50 Chimney extension 1000 mm LZ10AFU00 Standard recirculation kit LZ10AFT00 Standard recirculation kit (chimless) LZ10AFS00 Long Life recirculation kit LZ10AFR00 Long Life recirculation kit (chimless) LZ10AFA00 Standard odor filter (replacement) LZ00XXP00 Long Life odor filter (replacement)





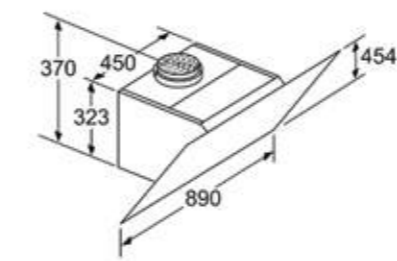
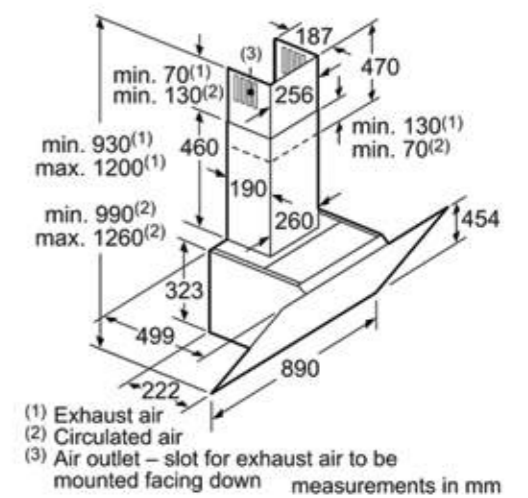
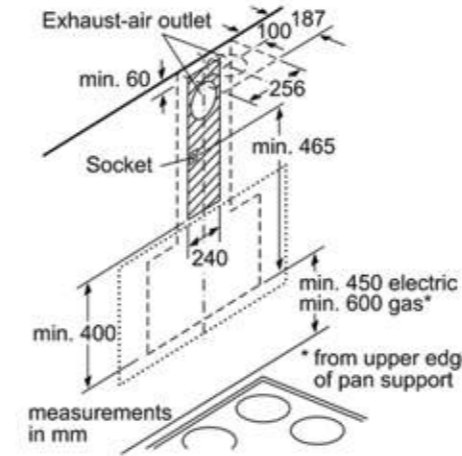
studioLine

Home Connect

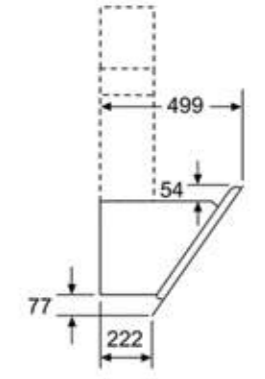
Inclined



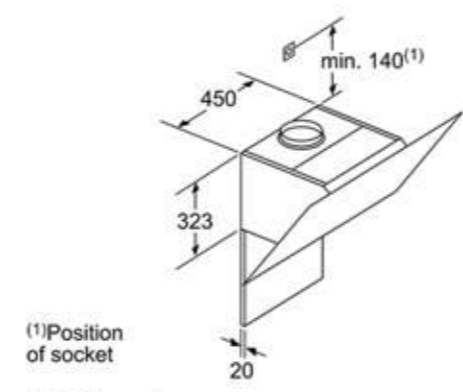
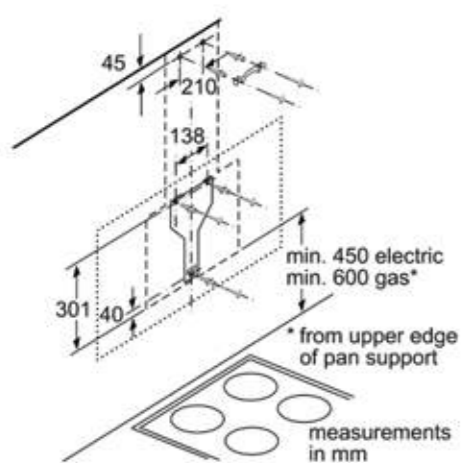
LC91KWW61I	90cm Wall Mounted Hood
Key Highlights	<ul style="list-style-type: none"> Efficient BLDC Motor Technology: iQdrive Fan Speed: 3 Stage + 2 Intensive LED softLight with dimmer function Maximum extraction power: 788 m³/h
Design & Innovation features	<ul style="list-style-type: none"> Inclined Hood Touch control with LED Display 2 x LED lights Automatic Fan run - on Function: duration 10 mins Automatic Intensive revert function: duration 6mins. Metal grease filter, dishwasher safe Air Quality Sensor Noise level: 56 dB Suitable for ducted or re-circulated operations
Dimensions	<ul style="list-style-type: none"> Exhaust Dimensions (HxWxD): 93-120cm x 89cm x 49.9 cm Re-circulating Dimensions (HxWxD): 99 - 126 cm x 89cm x 49.9cm
Technical Information	<ul style="list-style-type: none"> Connecting Cable : 130 cm Total Connected Load : 270 W
Optional Accessories	<ul style="list-style-type: none"> LZ11AXE61 : Chimney standard black LZ11AXC56 : Clean Air Plus recirculating kit external



Appliance in circulated air mode without duct
Circulated air set required
measurements in mm



measurements in mm



Note the maximum thickness of the back panel.
measurements in mm



Ovens

The oven is the most important piece of cooking equipment in the kitchen. In signature Siemens style, leading edge cooking technology and advanced automation have been presented in the simplest forms possible, so that whichever ovens you choose, they are as easy to use as they are on the eye.



Conventional ovens
Pioneering technology and advanced functionality with full-size capacity.



Combination ovens
Add steam and microwave functionality for truly flexible cooking.



Compact ovens
Combination steam and microwave functions in 45cm form.

The perfect line up.
Coordinated and intuitive
cooking experiences.



From ovens to warming drawers and coffee centres Siemens clean lines and matching appliances allow for perfect design coordination.

With stylish design Siemens built-in ovens are designed to impress, ensuring a sleek finish when coordinated with other Siemens appliances. Their ability to be installed independently allows full flexibility to fit appliances under work surfaces, in tall units or in a bank with other appliances. These multiple combinations mean that you have full freedom with your kitchen design, not to mention state-of-the-art technology and features which save you time when cooking.

Compacts

With the variety of appliances in our compact built-in range, Siemens provides a combination of options to suit your preferences, while delivering complete visual perfection. Siemens 45cm and 36cm high compact appliances allow for a full array of cooking experiences. Depending on the range and model, compact ovens are available with steam or integrated microwave, offering space-saving design without compromising on style or utility.



Energy efficient ovens*

Most Siemens single ovens achieve a European Class A+ rating for energy efficiency. Siemens double ovens have a rating of between A and B. For better efficiency, certain models feature the hotairGentle and conventional heat Gentle functions.

*For individual product energy efficiency ratings please check the product technical specifications.

Key features within the iQ700 and iQ500 range



varioSpeed

Twice as fast in combination: by adding the integrated microwave function to a conventional cooking option, you can speed up the preparation of your dishes without compromising on the quality.



fast preheat

No more tedious waiting for the oven to get to the right temperature! When you need it, just switch on fast preheating. By activating multiple heating elements simultaneously, Siemens ovens with fast preheating get to the desired temperature very quickly.



coolStart

Cooking certain frozen foods in the oven is now even faster – thanks to the innovative coolStart function. Without the need to wait for the oven to reach the set temperature, you can successfully cook frozen foods without preheating, while still using the recommended cooking time.





Steam cooking. The healthy way to cook



fullSteam

With the Siemens multifunction fullSteam ovens you can prepare delicious and healthy vitamin-rich dishes. Choose the fullSteam option from the 15 different functions and use only hot steam to cook the food, which is perfect for rice, fish and vegetables. You therefore retain the food's full flavour, colour, vitamins and minerals while cooking without fat or oil. The iQ700 oven is easy to use, even for someone who has never cooked with steam before. fullSteam functionality is also available on Siemens compact oven models

How does it work?

Siemens steam and steam combination ovens are quick and easy to install as they do not require plumbing-in. Our fullSteam ovens have the temperature range indicated. The removable 1 litre water tank (1.3 litre for compact steamer) is accessed behind the semi-automatic control panel making it more convenient and easier to refill, even during cooking. Water is heated by a fast and efficient steam generator before being introduced into the oven. Thermostatic controls allow a pure steam temperature of 30 – 100°C.



4D hotAir

Be flexible with your cooking. The innovative technology of the fan motor enables optimum heat distribution around the interior of the oven, as the oven is programmed to change the rotating direction of the fan every few minutes. Due to even distribution of heat within the cavity cooking on up to 4 shelf levels is possible. Your food therefore always turns out perfectly, just as you want it, no matter which shelf you choose to place it on.

Rail Systems: The perfect accessories, designed especially for your iQ700 oven.

We supply accessories that help make cooking easier and more enjoyable for you. Great for tailoring your oven to your individual needs offering ease of use and flexible cooking options to help you create the perfect dish.



iQ700 telescopic rails

Selected Siemens iQ700 ovens offer a single level, fully extendable telescopic rail¹. Designed to glide smoothly and effortlessly out of the oven, these rails offer clear and comfortable access to tend to your food during cooking and to remove the food once cooked without having to reach into the hot oven. Optional single or triple telescopic rails sets are available for all models in the iQ700 range, including versions suited to pyrolytic models which can remain in the appliance during the cleaning cycle, allowing you to effortlessly clean the oven and the rails at the same time.

¹Please see product descriptions for models that have the rails as standard

²Telescopic rails are not available as optional accessories on ovens with integral microwave



Fixed level telescopic rails



Discover the new way of cooking: the simple one

With recipeWorld you can choose from a wide range of delicious recipes in your Home Connect App and transfer the ideal settings directly to your oven. You can remotely start the heating.

For more information, scan this QR code



Easy Monitoring

Turn your oven on and off while on the go, change running programmes and keep an eye on things

Remote preheat

Preheat your oven from anywhere using the Home Connect app so the oven is ready to cook when you are

Remote Delayed Start

If you're delayed while you're out? That's fine. You can simply adjust the start time from wherever you are and, if the food has already started cooking, you can simply press "pause". The oven will lower the temperature until you start it again so your meal isn't ruined.

World of recipes

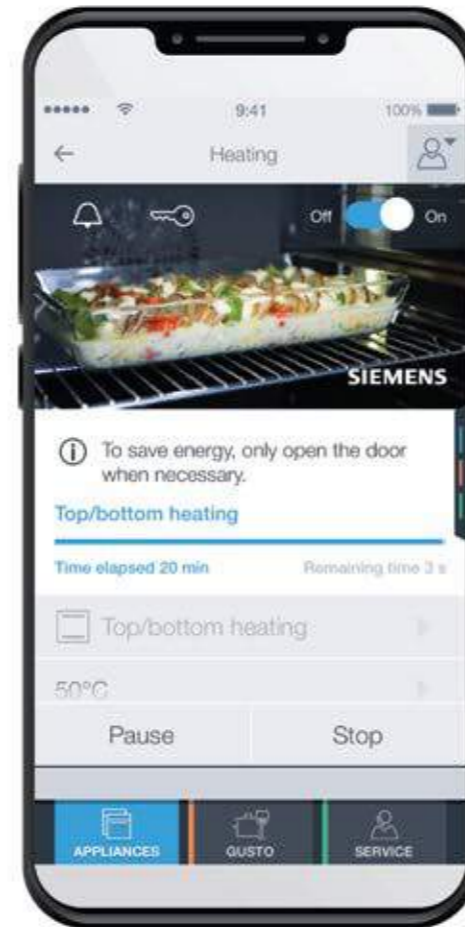
Access a world of healthy, delicious recipes from the Home Connect app, then send the appropriate settings straight to your wall oven

Push Notification

simply get a notification at the end of a programme. Save yourself effort and waiting time.

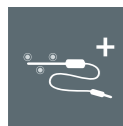
Safe & Sound

Child Lock





More to explore. Achieve the best results.



Easier than ever before: roastingSensor Plus

Thanks to three measuring points, the innovative roasting thermometer is able to precisely and reliably measure the core temperature of your dishes. This allows you to use it with a wider range of foods. Ideal for meat, poultry and fish, it can even be combined with the integrated microwave and the pulseSteam function. Without the need to keep checking, the roastingSensor Plus gives you the freedom to get on with the rest of your cooking. Within the iQ500 range there is the roastingSensor; a temperature probe with one measuring point, so for leaner cuts of meat you can roast without worry.



bakingSensor Plus

An oven that can detect when the baking process is complete: with bakingSensor Plus, all that is left for you to do when baking is to prepare the pastry or mix and select the required dish. Innovative sensor technology fitted inside selected iQ700 ovens can automatically control the baking process for consistently delicious baking. The bakingSensor constantly measures the moisture levels in the oven interior and is therefore able to tell you when the dish is fully cooked and ready.

The ideal kitchen helper.



cookControl Plus

Make perfect preparation easier than ever before. Select your chosen dish and enter the weight. The oven will then provide individual setting recommendations for perfect preparation of your dish ensuring the best results for a wide range of dishes, every time.



Quadruple glazed coolGlass door with heat reflective glass.

The Siemens quadruple glazed door ensures the door surface temperature is kept as low as possible. The reflective inner glass keeps the heat in, while providing a safe-to-touch door on the outside.



Automatic programs.

Roast beef? Steamed artichokes? Choux pastry? Simply find your desired dish from a wide selection of pre-loaded options, and let your Siemens oven take over. This automatic cooking offers up to 70 programmes to ensure your food is cooked to perfection. If you're using the intelligent functions like roastingSensor, bakingSensor or cookControl Plus it will automatically suggest the mode, time and temperature for your cooking.

Intelligence as standard.



softMove

For smooth operation, when you open or close your oven door the intelligent dampers ensure that the oven door is left to open and close gently and quietly. Available on all iQ700 built-in ovens.



Every model in a great light.

Being in full control means having a better view of what's happening inside. Whether it's the standard halogen, the LED, or the impressive Multilevel LED-illumination, iQ700 studioLine ovens provide a view to whatever you are creating, so you can enjoy full oversight.





Oven cleaning at the touch of a button, rails included.



activeClean®: Pyrolytic cleaning, rails included.
 Siemens activeClean® takes care of oven cleaning for you. It heats the oven interior to a very high temperature and turns all residues to ash allowing the contents to be easily wiped away. So no matter how flamboyant it gets in the kitchen, you no longer need any chemical treatment to clean your oven – just the push of a button. For even more convenience, pyrolytic iQ700 studioLine ovens feature pyrolysis proof rails, eliminating the hassle of having to remove interior fittings and wash them by hand.



ecoClean®: Siemens patented coating.
 Ovens with ecoClean® use a specially designed ceramic coating on the inside of the oven designed to absorb waste deposits. The oven notifies you when a cleaning program needs to be run, cleaning the lining by causing the absorbed waste to be oxidised. The next time the oven is used, oxygen is restored to the coating leaving it rejuvenated and ready to absorb waste.



Full control at every step.

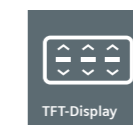
If your energetic lifestyle means you have less time for cooking, you don't have to compromise on enjoying a beautifully prepared meal. The Siemens iQ700 studioLine range gives you faster, more flexible cooking options, so you can command your time as you wish.



It has never been this easy to navigate an oven, with bigger size, brighter colours, and useful information that anticipates your needs at the precise moment. Thanks to a menu structure which is simple to navigate, the iQ700 studioLine TFT-Touchdisplay Plus sets a new standard in usability to give you total control.



The TFT-Touchdisplay allows you to operate the oven and choose its unique features with ease – thanks to the combination of the bright colour display, touch navigation and intuitive menu structure.



The TFT-Display with clearText makes it easy to read information from every angle. The intuitive menu guidance allows you to control oven functions in just a few simple steps.

Explore compact ovens and microwaves.

Microwave Combination Ovens*

These models are designed to provide more functionality than a solo microwave oven, focussing on combination cooking, with the microwave using higher power (max. 600W) to lead the cooking process, supported by hot air or grill functions to deliver speedy crisp and browned results. Based around a more traditional microwave functionality these models offer the perfect solution if regular microwave heating is the priority, but with the back-up of separate or combination hot air cooking and grill functionality if required.



compact microwave combination oven with steam

Ovens with integral microwave*

When teamed with a single oven, Siemens compact ovens with microwave offer a great alternative to a double oven if you require more space for traditional cooking. Designed first and foremost to function as an oven, with construction, features and functions identical to a traditional single oven, these models benefit from the addition of microwaves at low medium power (max. 360W) to deliver oven-led combination cooking. Our varioSpeed faster cooking feature speeds up the cooking process while retaining traditional cooking results.

*These models are designed to operate best in combination mode, so when heating using microwave only, it may be necessary to adjust cooking times.



compact oven with integral microwave

Compact Ovens with Steam

Looking for healthier cooking options? The Siemens range of compact ovens with steam allow you to enjoy healthier meals using the power of steam to deliver juicier meats, crisped and fluffy baked items and vegetables that retain more of their vibrant colours, vitamins and nutrients. Siemens fullSteam models offer pure steam cooking, plus many models also offer pulseSteam – pulses of steam are injected into the oven to work in tandem with traditional cooking functions. Please check individual models for exact specifications.



compact pyrolytic oven with integral microwave



Inverter Technology

Inverter Technology delivers microwave power constantly while cooking – other, traditional microwaves are only able to deliver maximum power and manage the differing settings by alternating between on and off for specific time periods. This can result in uneven heating or over-cooked food and can be especially damaging to more delicate foods or smaller portions.

With Inverter technology, the microwave delivers power constantly, gradually managing the power levels down over time in order to control the food temperature. This gentle approach to cooking reduces uneven heating or overheated food and is especially beneficial for delicate foods. It may be necessary to adjust cooking times to ensure foods are thoroughly cooked before serving.

Siemens recommends that the maximum power setting be used for heating liquids and the microwave is calibrated to provide a burst of high power initially, before managing the power down in stages to the next level over the first few minutes.



Perfect built-in design and incredible results with iQ700 studioLine.

Designed for those who value the ultimate in style, innovation and intelligent features.

The characteristic look of the studioLine built in ovens, range balances clean lines with intuitive controls and state-of-the-art technology for an unparalleled experience. Coordinated design, blackSteel handles, stainless steel disc controls and big and bright TFT touchDisplays combine to create a guaranteed design statement. The sleek stainless blackSteel appearance offers a solid, quality aesthetic and is used across the studioLine range so you can seamlessly match your cooking appliance to your coffee machine, hob and hood.

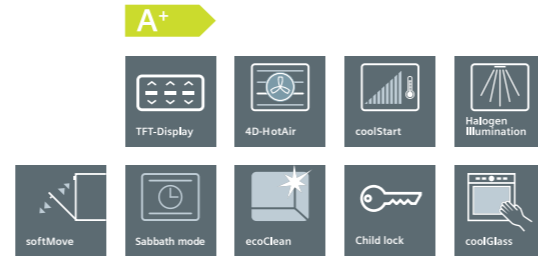
Exclusive to studioLine, prepare and cook food with the most exquisite flavours and delicate textures using the sous-vide setting and vacuum drawer.

Sous-vide means, food is cooked extremely tender with steam under constantly low temperatures. This unique cooking method saves vitamins and aromas.

This is achieved by vacuum sealing your ingredients in the Siemens vacuum drawer and leaving them to marinate before cooking gently on an exact low temperature in your studioLine single oven or studioLine compact steam oven. This ensures that any moisture and flavour is fully absorbed into the food, for a gastronomic fine-dining experience in your own home.

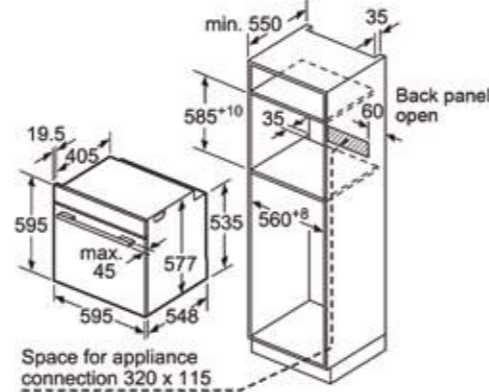
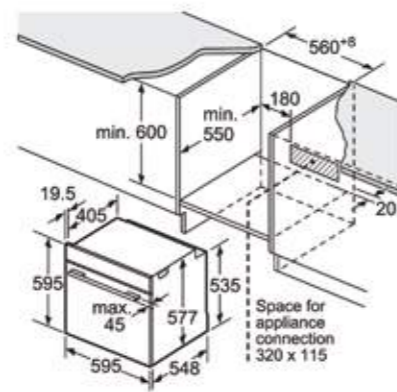
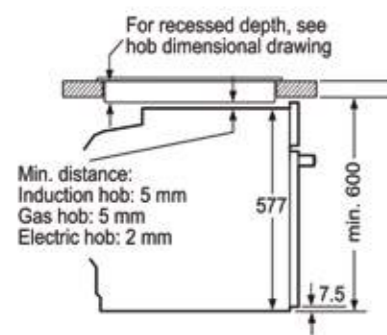


Single Oven



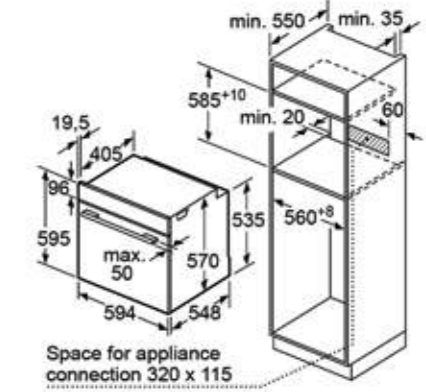
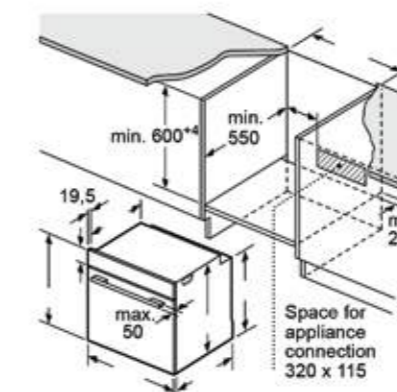
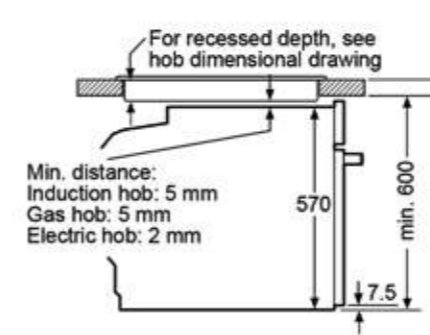
HB634GB511	60cm Single Oven
Key Highlights	<ul style="list-style-type: none"> • Large capacity oven 71 L • TFT display with direct touch • 4D hotAir • coolStart function • softMove door • Energy efficiency A-30%
Design & Innovation features	<ul style="list-style-type: none"> • Multifunction oven with 13 cooking functions: 4D hotAir, hotAir-Eco, Top/bottom heating, Top/bottom heating Eco, Circulated air grilling, Large area grill, Small area grill, Pizza setting, coolStart function, Bottom heating, Slow cook, Keep warm, Plate warming • Internal glass door • Anthracite enamel smooth oven interior • Oven interior light on top • Integral cooling fan • Grill element: fixed assembled • Electronic clock timer: on, off and alarm • 5 Shelf levels • Automatic rapid heat function • Sabbath function
Cleaning Features	<ul style="list-style-type: none"> • ecoClean function for back panel
Safety & Quality features	<ul style="list-style-type: none"> • Residual heat indicator • Childproof lock function • Automatic safety switch off • coolDoor with triple glass: keeps the door cool at a max. 40°C
Dimensions	<ul style="list-style-type: none"> • Appliance Dimensions (HxWxD): 59.5cm x 59.5cm x 54.8cm • Cutout Dimensions (HxWxD): 58.5cm - 59.5cm x 56cm - 56.8cm x 55cm
Technical Information	<ul style="list-style-type: none"> • Connecting cable: 120cm • Total connected load: 3.60 kW (16 A plug connection) • Heating Temperature: 30°C - 300°C
Integrated Accessories	<ul style="list-style-type: none"> • 1 x Enamel baking tray • 1 x Combination grid • 1 x Universal pan
Optional accessories	<ul style="list-style-type: none"> • HZ617000 - Pizza tray • HZ327000 - Baking stone • HZ631070 - Enamelled baking tray • HZ638270 - 2 Level, full extension telescopic rails

Installation with a hob.

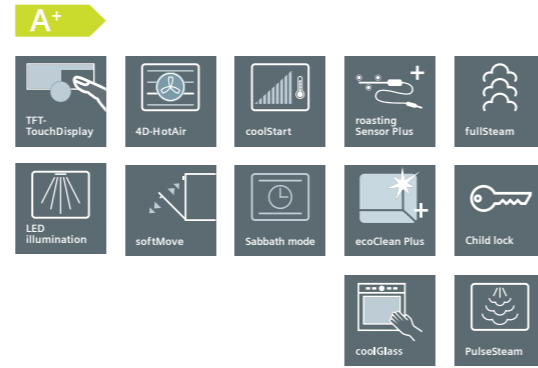


HB237ABR0Z	60cm Single Oven
Key Highlights	<ul style="list-style-type: none"> • Large capacity oven 71 L • 4D hotAir • 10 Automatic programmes • Energy efficiency A
Design & Innovation features	<ul style="list-style-type: none"> • Multifunction oven with 7 cooking functions: 4D hotAir Plus, conventional heat, hot air grilling, Full width grill, Pizza setting, Bottom heat, hot air gentle • Triple glazed door with heat reflective glass • Rotary control dials • Grey enamel smooth oven interior • Halogen interior light • Electronic functions: Heating-up control, automatic start, cookControl
Cleaning Features	<ul style="list-style-type: none"> • ecoClean function for back panel
Safety & Quality features	<ul style="list-style-type: none"> • Childproof lock function • Triple glazed door with heat reflective glass
Dimensions	<ul style="list-style-type: none"> • Appliance Dimensions (HxWxD): 59.5cm x 59.4cm x 54.8cm • Cutout Dimensions (HxWxD): 58.5cm-59.5cm x 56cm-56.8cm x 55cm
Technical Information	<ul style="list-style-type: none"> • Connecting cable: 120 cm • Total connected load: 2.99 kW (16 A plug connection) • Heating Temperature: 50°C - 275°C
Integrated Accessories	<ul style="list-style-type: none"> • 1 x Enamel baking tray • 1 x Combination grid • 1 x Universal pan
Optional accessories	<ul style="list-style-type: none"> • HZ327000 - Baking Stone

Installation with a hob.

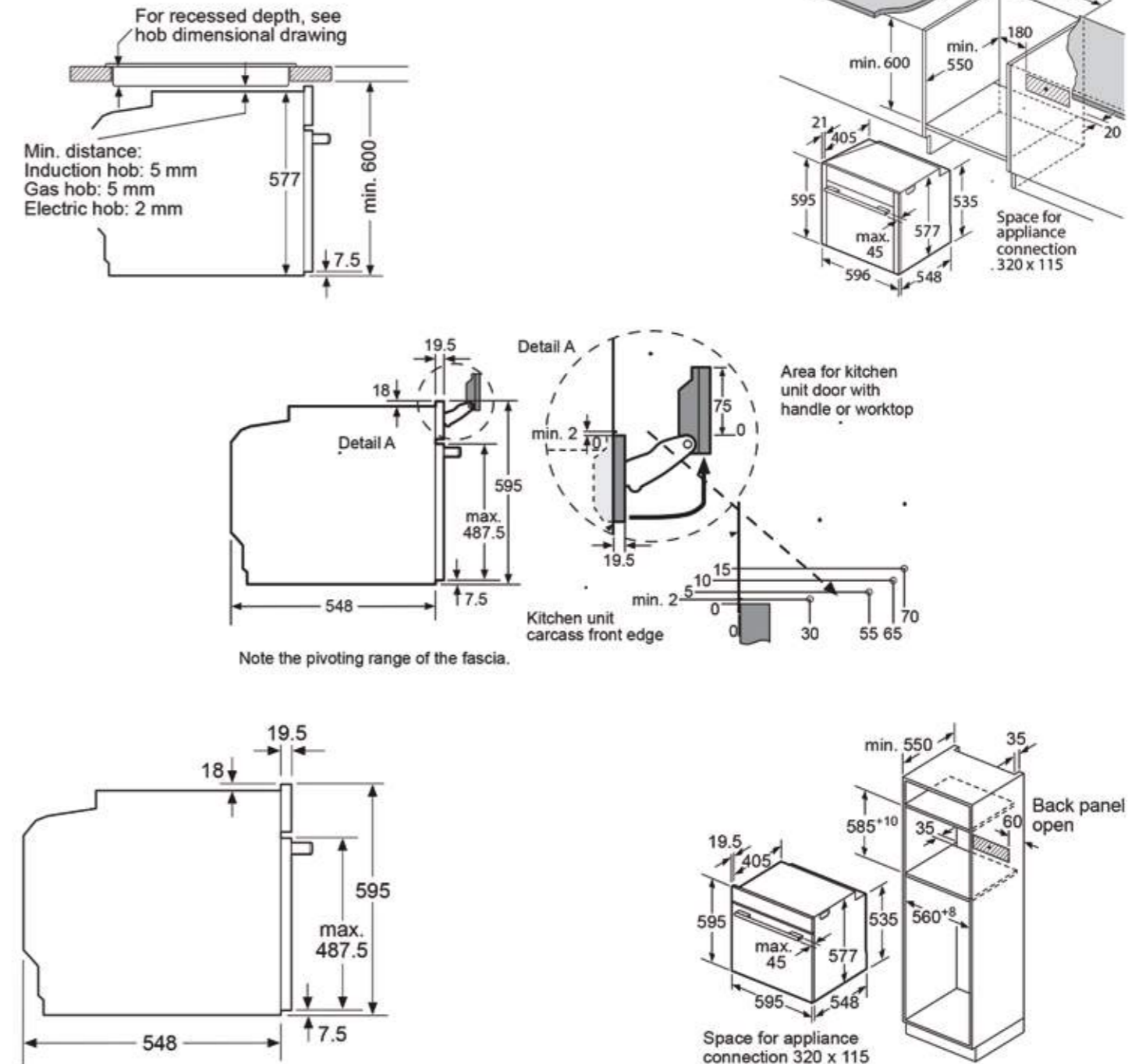


Combination Steam Oven



HS636GDS11	60cm Full size Combination Steam Oven
Key Highlights	<ul style="list-style-type: none"> • Large oven capacity: 71 litres • 5.7" TFT colour and graphics display with direct touch • 4D hotAir • roastingSensor Plus and PulseSteam • coolStart function • softMove door • Oven interior LED light on top • Energy efficiency A - 30%: 30% less energy consumption than the best energy class A
Design & Innovation features	<ul style="list-style-type: none"> • Multifunction combination steam oven with 13 cooking functions: 4D hotAir, hotAir-Eco, Top/bottom heating, Top/bottom heating Eco, Circulated air grilling, Large area grill, Small area grill, Pizza setting, coolStart function, Bottom heating, Slow cook, Keep warm, Plate warming • Additional cooking functions: Full steam, Regeneration, Fermentation and Defrost • Internal glass door • Stainless steel oven interior • Integral cooling fan • Water tank capacity: 1 litre • Tank empty indicator • 5 Shelf levels • Automatic rapid heat function • Sabbath function
Cleaning Features	<ul style="list-style-type: none"> • Drying function • ecoClean Plus function for back panel • Descaling programme
Safety & Quality features	<ul style="list-style-type: none"> • Residual heat indicator • Childproof lock function • Automatic safety switch off • coolDoor with triple glass: keeps the door cool at max. 40°C
Dimensions	<ul style="list-style-type: none"> • Appliance Dimensions (HxWxD): 59.5cm x 59.5cm x 54.8cm • Cutout Dimensions (HxWxD): 58.5cm - 59.5cm x 56cm - 56.8cm x 55cm
Technical Information	<ul style="list-style-type: none"> • Connecting cable: 120cm • Total connected load: 3.60 kW (16 A plug for connection) • Heating Temperature: 30°C - 250°C
Integrated Accessories	<ul style="list-style-type: none"> • 1 X Grid • 1 X Steam container punched (size XL) • 1 X Steam container punched (size S) • 1 X Steam container unpunched (size S) • 1 X Enamel baking tray • 1 X Universal pan
Optional accessories	<ul style="list-style-type: none"> • HZ327000 - Baking Stone • HZ631070 - Enamelled baking tray

Installation with a hob.



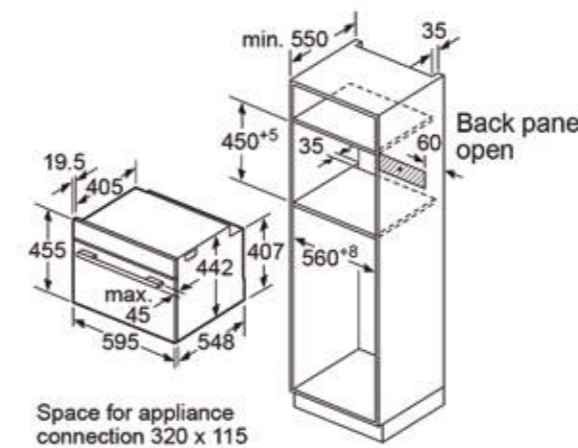
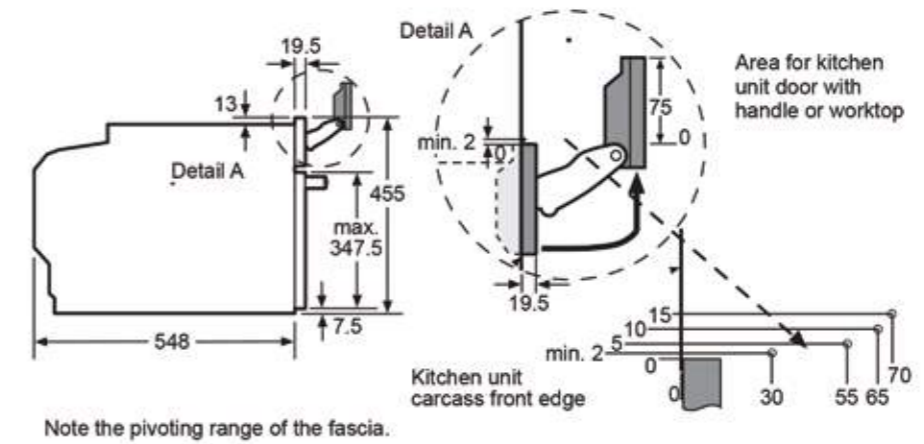
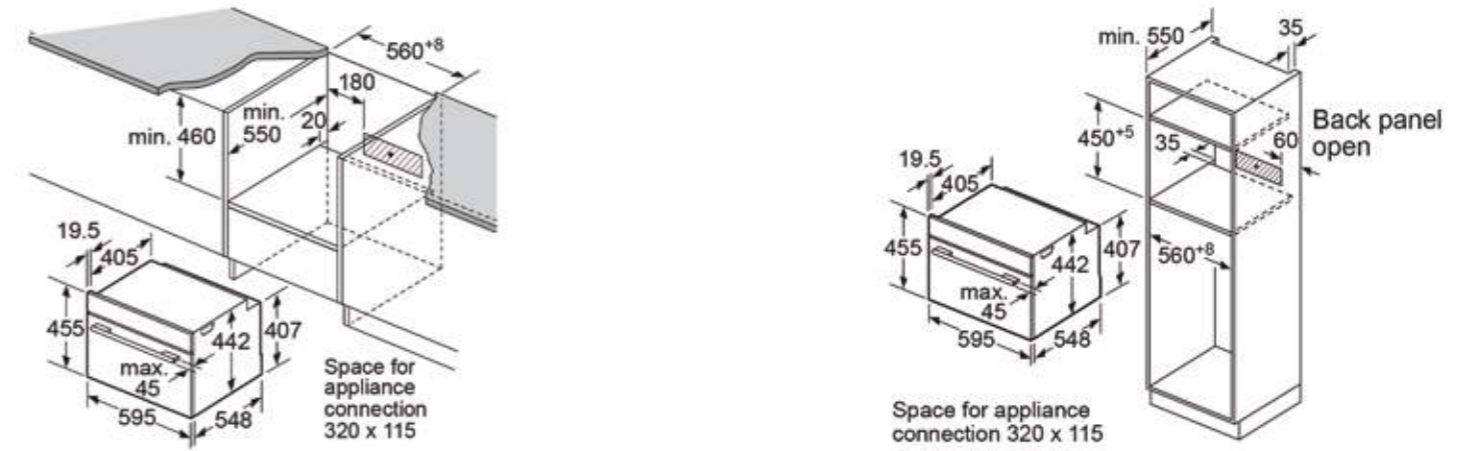
If the appliance will be installed underneath a hob, the following worktop thicknesses (including substructure if necessary) must be taken into account.

Hob type	min. worktop thickness	
	fitted	flush
Induction hob	37 mm	38 mm
Full surface induction hob	43 mm	48 mm
Gas hob	32 mm	42 mm
Electric hob	22 mm	24 mm

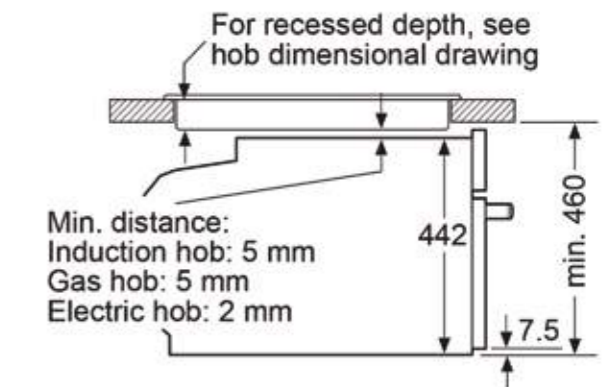
Compact Combination Steam Oven



CS656GBS2	45cm Compact Combination Steam Oven
Key Highlights	<ul style="list-style-type: none"> Oven capacity: 47 litres 5.7" TFT colour and graphics display with direct touch 4D hotAir PulseSteam: added steam with few cooking functions coolStart function softMove door Oven LED interior light on top
Design & Innovation features	<ul style="list-style-type: none"> Multifunction combination steam oven with 13 cooking functions: 4D hotAir, hotAir-Eco, Top/bottom heating, Top/bottom heating Eco, Circulated air grilling, Large area grill, Small area grill, Pizza setting, coolStart function, Bottom heating, Slow cook, Keep warm, Plate warming Additional cooking functions: Full steam, Regeneration, Fermentation and Defrost Internal glass door Stainless steel oven interior Integral cooling fan Water tank capacity: 1 litre Tank empty indicator softMove door 3 Shelf levels Automatic rapid heat function Sabbath function
Cleaning Features	<ul style="list-style-type: none"> Drying function ecoClean Plus function for back, ceiling and side liners Descaling programme
Safety & Quality features	<ul style="list-style-type: none"> Residual heat indicator Childproof lock function Automatic safety switch off coolDoor with triple glass: keeps the door cool at a max. 40°C
Dimensions	<ul style="list-style-type: none"> Appliance Dimensions (HxWxD): 45.5cm x 59.5cm x 54.8cm Cutout Dimensions (HxWxD): 45cm - 45.5cm x 56cm - 56.8cm x 55 cm
Technical Information	<ul style="list-style-type: none"> Connecting cable: 150cm Total connected load: 3.3 kW (16 A plug connection) Heating Temperature: 30°C - 250°C
Included accessories	<ul style="list-style-type: none"> 1 x Grid 1 x Steam container, punched (size XL) 1 x Steam container, punched (size S) 1 x Steam container, unpunched (size S) 1 x Universal pan
Optional Accessories	<ul style="list-style-type: none"> HZ327000 - Baking Stone HZ631070 - Enamelled baking tray



Installation with a hob.



If the compact appliance will be installed underneath a hob, the following worktop thicknesses (including substructure if necessary) must be taken into account.

Hob type	min. worktop thickness	
	fitted	flush
Induction hob	42 mm	43 mm
Full surface induction hob	48 mm	53 mm
Gas hob	37 mm	47 mm
Electric hob	28 mm	30 mm

Combination Microwave Oven

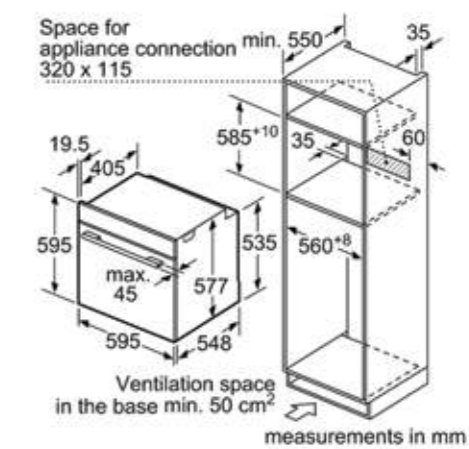
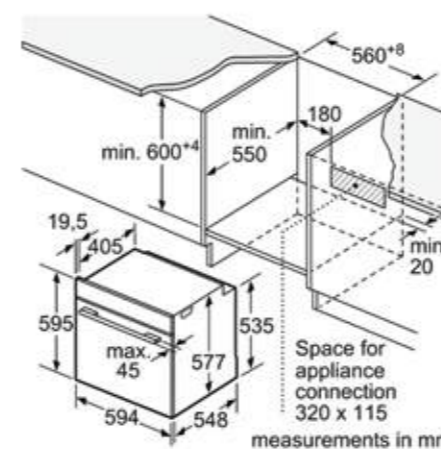


HM676G0S11	60cm Full size Combination Microwave Oven
Key Highlights	<ul style="list-style-type: none"> • Large oven capacity: 67 litres • 5.7" TFT colour and graphics display with direct touch • 4D hotAir • varioSpeed • Pre set programmes • coolStart function • softMove door • Energy efficiency A-20%
Design & Innovation features	<ul style="list-style-type: none"> • Multifunction combination steam oven with 13 cooking functions: 4D hotAir, hotAir-Eco, Top/bot tom heating, Top/bottom heating Eco, Circulated air grilling, Large area grill, Small area grill, Pizza setting, coolStart function, Bottom heating, Slow cook, Keep warm, Plate warming • Internal glass door • Anthracite enamel smooth oven interior • Oven interior LED light on top • Electronic clock timer: On, Off and Alarm • cookControl Plus: Automatic cooking programmes • Automatic rapid heating up function • 5 Shelf levels • Automatic rapid heat function • 1-level Telescopic rails: pyrolytic proof • Sabbath function
Cleaning Features	<ul style="list-style-type: none"> • activeClean: Pyrolytic self-cleaning function
Safety & Quality features	<ul style="list-style-type: none"> • Residual heat indicator • Childproof lock function • Automatic safety switch off • Door lock function • coolDoor with quadruple glass: keeps the door cool at max. 30°C
Dimensions	<ul style="list-style-type: none"> • Appliance Dimensions (HxWxD): 59.5cm x 59.5cm x 54.8cm • Cutout Dimensions (HxWxD): 58.5cm - 59.5cm x 56cm - 56.8cm x 55cm
Technical Information	<ul style="list-style-type: none"> • Microwave power levels: 900W, 600W, 360W, 180W, 90 W • Connecting cable: 150cm • Total connected load: 3.60 kW (16 A plug connection) • Heating Temperature: 30°C - 250°C
Included accessories	<ul style="list-style-type: none"> • 1 x Combination grid • 1 x Universal pan • 1 x Enamel baking tray
Optional Accessories	<ul style="list-style-type: none"> • HZ327000 - Baking Stone

studioLine Oven



HB878GBB6B	60cm Oven
Key Highlights	<ul style="list-style-type: none"> • Oven Capacity: 71 L • 5,7"-TFT-color and graphics display with direct touch function • 4D hotAir display with direct touch function display with direct touch function • coolStart function display with direct touch function display with direct touch function • Oven LED Interior Light
Design & Innovation features	<p>Type of oven / heating system:</p> <ul style="list-style-type: none"> • Oven with 15 heating methods: 4D hotAir, hotAir eco, Conventional heat, Conventional heat ECO, hotAir grilling, Full width grill, Half width grill, Pizza setting, coolStart, Bottom heat, Intensive heat, Soft steaming, Plate warming setting, Dehydrate, Hold warm setting • Full Glass Inner door • Integral cooling fan • softMove door • Automatic rapid heat function • Sabbath function
Cleaning Features	<ul style="list-style-type: none"> • Automatic System for Effortless Cleaning- activeClean.
Safety & Quality features	<ul style="list-style-type: none"> • Residual heat indicator • Childproof lock function • Automatic safety switch off
Dimensions	<ul style="list-style-type: none"> • Appliance Dimensions (HxWxD): 59.5cm x 59.4cm x 54.8cm • Cutout Dimensions (HxWxD): 58.5cm - 59.5cm x 56cm - 56.8cm x 55cm
Technical Information	<ul style="list-style-type: none"> • Connecting cable: 120cm • Total connected load: 3.6 kW • Heating Temperature: 30°C - 300°C
Integrated Accessories	<ul style="list-style-type: none"> • combination grid • Universal pan
Optional accessories	<ul style="list-style-type: none"> • HZ6BMA00 : Assembly kit for vertical installation. • HZ638370 : 3 level telescopic rails • HZ634000 : Baking and roasting grid (standard) • HZ633070 : Professional pan, anthracite enamelled



studioLine Oven

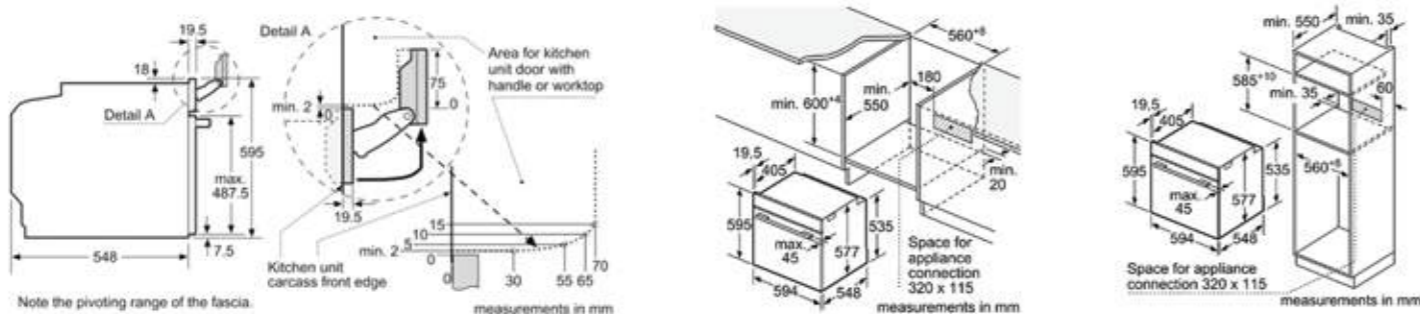


studioLine

Home Connect



HS858GXB6B	60cm Oven with Steam
Key Highlights	<ul style="list-style-type: none"> Oven Capacity: 71 Litres 5,7"-TFT-color and graphics display with direct touch function 4D hotAir Full Steam Functions
Design & Innovation features	<ul style="list-style-type: none"> Combi-steam oven with 15 heating methods: 4D hotair, hotAir eco, Conventional heat, Conventional heat ECO, hotAir grilling, Full width grill, Half width grill, Pizza setting, coolStart, Bottom heat, Intensive heat, Soft steaming, Plate warming setting, Dehydrate, Hold warm setting Additional heating methods with steam: Steam, Regeneration with steam, Fermentation with steam, Defrost with steam, sous-vide cooking. Full Glass Inner door Integral cooling fan Water tank capacity: 1 litre Tank empty indicator softMove door 3 Shelf levels Automatic rapid heat function Sabbath function
Cleaning Features	<ul style="list-style-type: none"> Drying function ecoClean Plus function for back, ceiling and side liners Descaling programme
Safety & Quality features	<ul style="list-style-type: none"> Residual heat indicator Childproof lock function Automatic safety switch off
Dimensions	<ul style="list-style-type: none"> Appliance Dimensions (HxWxD): 59.5cm x 59.4cm x 54.8cm Cutout Dimensions (HxWxD): 58.5cm - 59.5cm x 56cm - 56.8cm x 55cm
Technical Information	<ul style="list-style-type: none"> Connecting cable: 120cm Total connected load: 3.45 kW Heating Temperature: 30°C - 250°C
Integrated Accessories	<ul style="list-style-type: none"> 1 x steam container Punched (size S) 1 x Steam container punched (size XL) 1 x steam container, unpunched (size S) 1 x grid 1 x sponge 1 x universal pan
Optional accessories	<ul style="list-style-type: none"> HZ664000 : Baking and roasting grid (steam) HZ633070 : Professional pan, anthracite enamelled HZ631070 : Baking tray anthracite enamelled HZ6BMA00 : Assembly kit for vertical installation

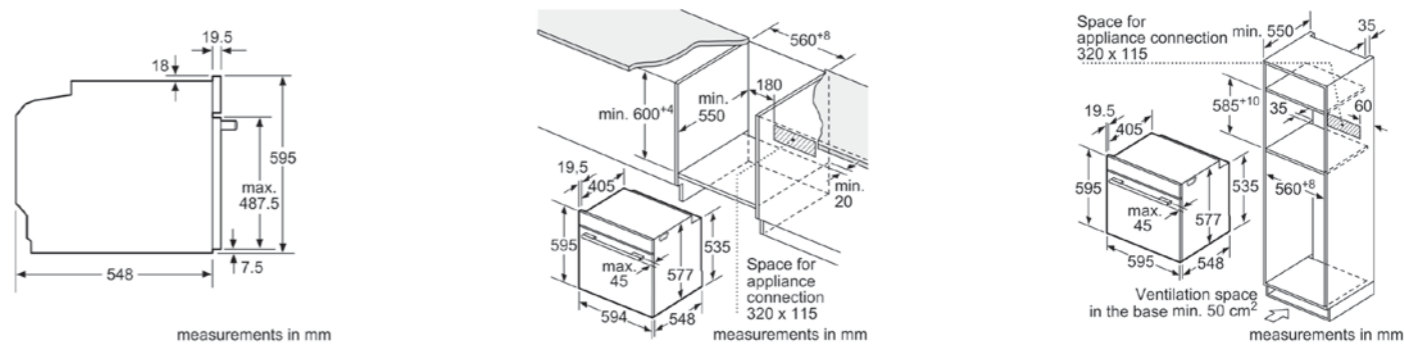


studioLine

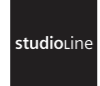
Home Connect



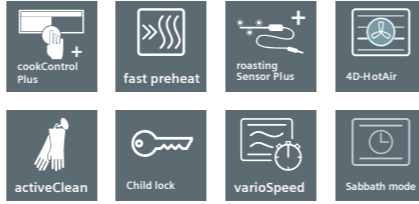
HM876G2B6I	60cm Oven with Microwave function
Key Highlights	<ul style="list-style-type: none"> Cavity volume: 67 l varioSpeed - Prepare excellent dishes up to 50% faster fastPreheat activeClean Home Connect
Design & Innovation features	<ul style="list-style-type: none"> Oven with microwave with 13 heating methods 4D hot air Hot Air grilling Full width grill Plate warming setting Pizza setting cookControl Plus Roasting Sensor Plus Humid Clean Sabbath-Mode
Cleaning Features	<ul style="list-style-type: none"> activeClean:- At the touch of a button, all deposits from baking, roasting and grilling are turned to ash at high temperature
Safety & Quality features	<ul style="list-style-type: none"> Automatic door lock during pyrolysis Child lock Automatic safety switch off Residual heat indicator Start-/Stop button Door contact switch
Dimensions	<ul style="list-style-type: none"> Appliance Dimensions (HxWxD): 59.5cm x 59.4cm x 54.8cm Cutout Dimensions (HxWxD): 58.5cm - 59.5cm x 56.0cm - 56.8cm x 55.0cm
Technical Information	<ul style="list-style-type: none"> Nominal voltage: 220 - 240 V Total connected load electric: 3.6 KW
Integrated Accessories	<ul style="list-style-type: none"> 1 x enamel baking tray 1 x combination grid 1 x universal pan
Optional accessories	<ul style="list-style-type: none"> HZ327000, HZ531010, HZ532010, HZ915003, HZ617000, HZ625071, HZ631070, HZ632070, HZ633001, HZ633070, HZ634080, HZ636000, HZ66X650, HZ6BMA00



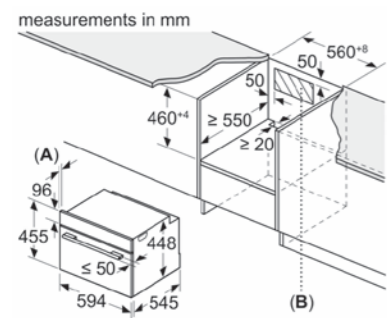
studioLine Microwave



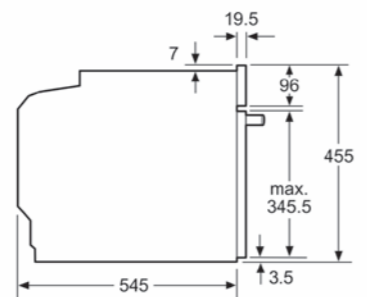
A+



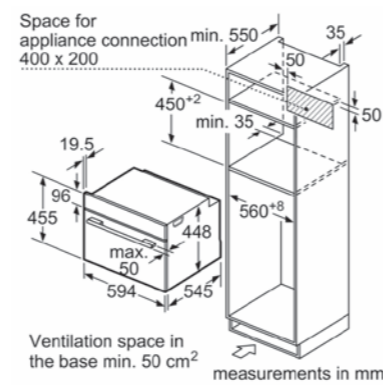
CP465AGB01	45 cm compact microwave with steam function
Key Highlights	<ul style="list-style-type: none"> • Cavity volume: 36 l • LCD Display (white) • cookControl 30 • Full Steam • Touch control
Design & Innovation features	<ul style="list-style-type: none"> • 5 heating methods • Maximum output power 600 W • Temperature range 40 °C - 230 °C • Shelf levels: 5 PC • Rotary Control
Cleaning Features	<ul style="list-style-type: none"> • Cleaning program for water pipe
Safety & Quality features	<ul style="list-style-type: none"> • Child lock • Start-/Stop button • Door contact switch
Dimensions	<ul style="list-style-type: none"> • Appliance Dimensions (HxWxD): 45.5cm x 59.4cm x 54.5cm • Cutout Dimensions (HxWxD): 45.0cm - 45.2cm x 56.0cm - 56.8cm x 55.0cm
Technical Information	<ul style="list-style-type: none"> • Connecting cable: 150 cm • Nominal voltage: 220 - 240 V • Total connected load electric: 3.1 KW



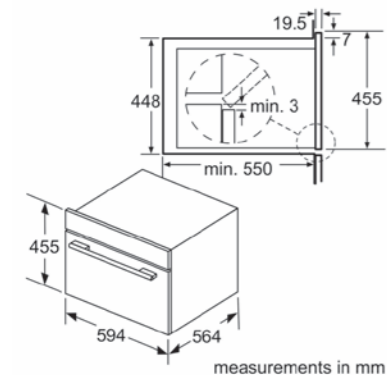
A: 19.5
B: Space for appliance connection 400 x 200



measurements in mm



measurements in mm

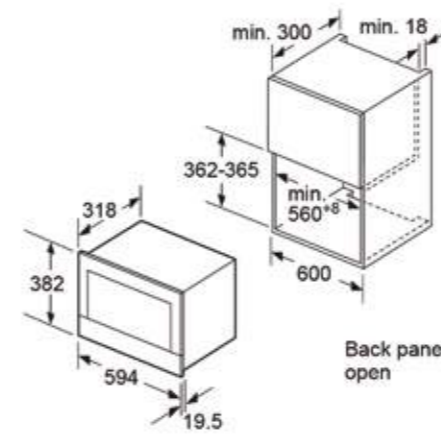


measurements in mm

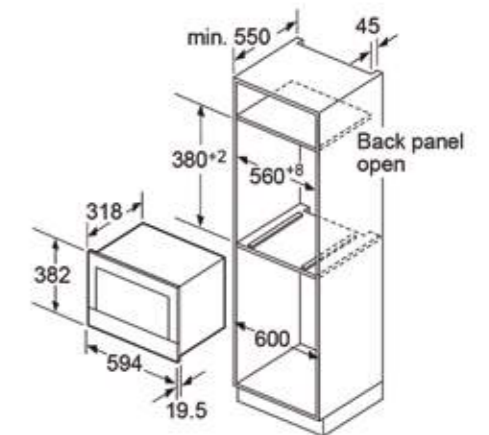
Microwave



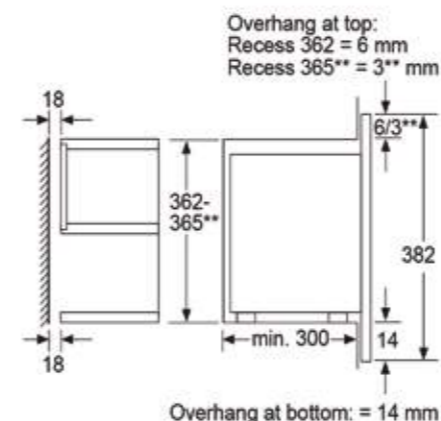
BF634LGS11	38cm Microwave Oven with Grill
Key Highlights	<ul style="list-style-type: none"> • Microwave Oven capacity: 25 litres • Microwave oven with 2 cooking functions: Microwave and Grilling • Glass turntable diameter: 31.5cm • Timer
Design & Innovation features	<ul style="list-style-type: none"> • Side opening left hinged door • Rotary control dial • Push button door opening • Stainless steel oven interior • Oven interior light • Automatic safety switch-off
Dimensions	<ul style="list-style-type: none"> • Appliance Dimensions (HxWxD): 38.2cm x 59.4cm x 38.8cm • Cutout Dimensions (HxWxD): 38cm x 56cm x 55cm
Technical Information	<ul style="list-style-type: none"> • Microwave power levels: 900W, 600W, 360W, 180W, 90W • Connecting cable: 130cm • Total connected load: 1.45 kW (16 A plug connection)



Back panel open

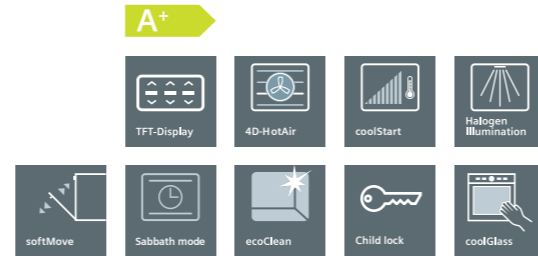


Back panel open



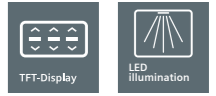
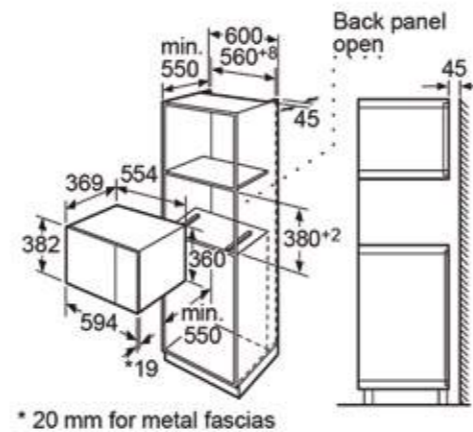
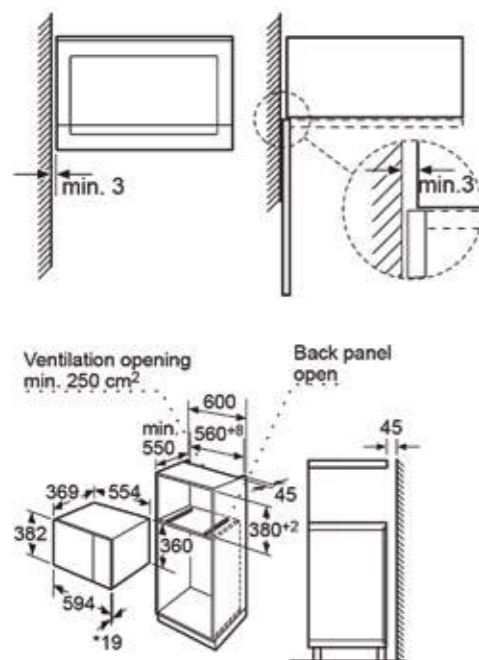
Overhang at bottom: = 14 mm

Microwave

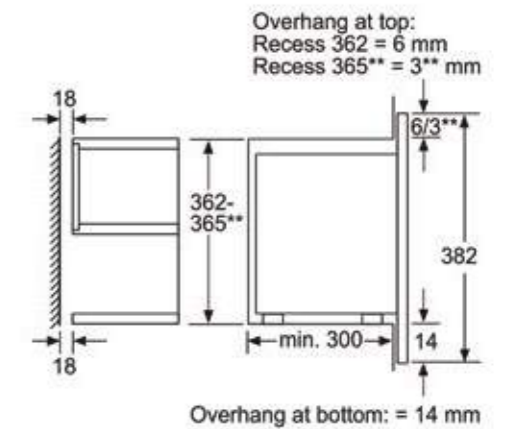
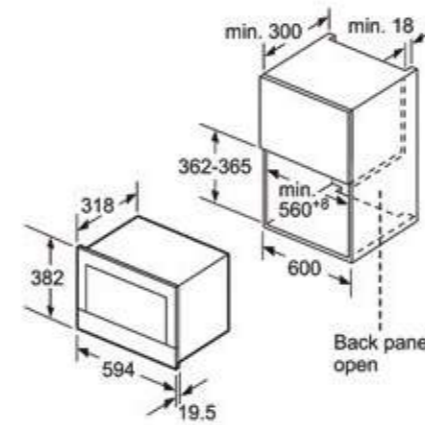


BE550LMR01	38cm Microwave Oven with Grill
Key Highlights	<ul style="list-style-type: none"> Microwave Oven capacity: 25 litres Microwave oven with 2 cooking functions: Microwave and Grilling Glass turntable diameter: 31.5cm Timer
Design & Innovation features	<ul style="list-style-type: none"> Side opening left hinged door Rotary control dial Push button door opening Stainless steel oven interior Oven interior light Automatic safety switch-off
Dimensions	<ul style="list-style-type: none"> Appliance Dimensions (HxWxD): 38.2cm x 59.4cm x 38.8cm Cutout Dimensions (HxWxD): 38cm x 56cm x 55cm
Technical Information	<ul style="list-style-type: none"> Connecting cable: 120cm Total connected load: 3.45 kW Heating Temperature: 30°C - 250°C
Integrated Accessories	<ul style="list-style-type: none"> 1 x steam container Punched (size S) 1 x Steam container punched (size XL) 1x steam container, unpunched (size S) 1 x grid 1x sponge 1x universal pan
Optional accessories	<ul style="list-style-type: none"> HZ664000 : Baking and roasting grid (steam) HZ633070 : Professional pan, anthracite enamelled HZ631070 : Baking tray anthracite enamelled HZ6BMA00 : Assembly kit for vertical installation

Microwave, corner installation



BE634LGS11	38cm Microwave Oven with Grill
Key Highlights	<ul style="list-style-type: none"> Microwave Oven capacity: 21 litres TFT display with direct touch Microwave oven with grill cookControl: 10 automatic cooking programmes Oven interior LED light
Design & Innovation features	<ul style="list-style-type: none"> Microwave oven with 2 cooking functions: Microwave and Grilling Stainless steel oven interior Automatic door opening
Dimensions	<ul style="list-style-type: none"> Appliance Dimensions (HxWxD): 38.2cm x 59.4cm x 31.8cm Cutout Dimensions (HxWxD): 36.2cm - 38.2cm x 56cm - 56.8cm x 30cm
Technical Information	<ul style="list-style-type: none"> Microwave power levels: 900W, 600W, 360W, 180W, 90W Connecting cable: 200 cm Total connected load: 1.99 kW (16 A plug connection)
Integrated Accessories	<ul style="list-style-type: none"> 1 x Glass pan 1 x Grid



Companion appliances.

The finishing touch for your kitchen or dining area, the Siemens coffee center is the ultimate appliance for coffee lovers and those who like to entertain. The central control dial and TFT full colour display with interactive menu continues the iQ700 design story, whilst the concealed milk container achieves the classically understated Siemens look.

The sophisticated, fully automatic built-in iQ700 Coffee center offers a wide selection of beverages, ranging from a strong and aromatic ristretto to an impeccably made, milk-froth cappuccino - all available at the touch of the oneTouch Function. With all these options, it's truly your Barista at home. For a life less ordinary, indeed!

Ristretto | Espresso | Espresso Macchiato | Cappuccino | Latte | Macchiato | Milk froth | Warm milk | Hot water for varieties of tea.

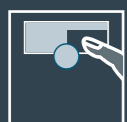


Coffee center machine
A fully automatic built-in coffee center at your fingertips.



Warming drawer
Keep dinnerware warm, food hot and prove dough.

Coffee Center that understands that there's nothing like a perfect cup of coffee!



TFT Colour Touch Display with graphics

It has never been this easy to keep an eye on everything. Thanks to the menu structure, which is optimized for convenient and easy-to-use touch navigation, the new TFT color touch display is the most innovative and intuitive user interface available. Designed to serve one purpose: giving you full control.



Ideal Brewing temperature for maximum aroma: SensoFlow System – an intelligent heater

Imagine a coffee machine that automatically detects the brewing method based on the kind of coffee bean used. The innovative SensoFlow heating system does just that and much more. It gives you the perfect cup of coffee, with its unique aroma intact by regulating the optimum brewing temperature. Moreover, it saves precious resources by heating only when necessary and ensures maximum output at minimum energy use.



Full aroma, incomparable crema: aromaPressure system

Ground coffee from the ceramic grinders is always compressed perfectly, whatever the quantity - releasing even more fantastic flavours from the coffee. Precise pressure and convex tamper from the aromaPressure system, complements the unique SensoFlow System perfectly with consistent brewing temperature and maximum aroma extraction.



Perfectly brewed coffee: coffeeSensor system

Irrespective of the variety of the bean, the coffeeSensor system measures the powder quantity after each grinding process and automatically adapts the time of the following grinding process to the current bean variety. Resulting in always achieving the desired strength and aroma.



Get two perfect beverages at the touch of a button:

oneTouch Double Cup!

Get two perfectly brewed quality milk beverages at the touch of one button with Siemens coffee center. The automatic milk frother with suction function has double spouts for both coffee and milk.



Effortless cleaning: autoMilk clean

Now no need to clean the milk system daily. One second draft of steam cleans away all the remaining milk after every milk beverage. As a result no milk is left to be dried up, and the milk system can be cleaned only once a week, in a dishwasher or manually, to ensure good hygiene and the highest standards for milk beverages.

The finishing touch for your kitchen or dining area, the Siemens coffee center is the ultimate appliance for coffee lovers and those who like to entertain. The central control dial and TFT full colour display with interactive menu continues the design story, whilst the concealed milk container achieves the classically understated Siemens look.

The ultimate entertainer.

Providing your guests with the perfect coffee every time is a true pleasure. The latest Siemens technology makes this possible. SensoFlow is an innovative system that guarantees maximum espresso indulgence every time, thanks to its ideal and constant brewing temperature that releases the best taste and aroma. To take things even further, the coffeeSensor System will automatically adjust the grinding unit to get the best out of each bean variety. And for those who prefer things stronger, aromaDouble Shot produces extra-strong coffee with less bitterness, thanks to two grinding and brewing processes.

Because coffee is a personal experience, even when shared.

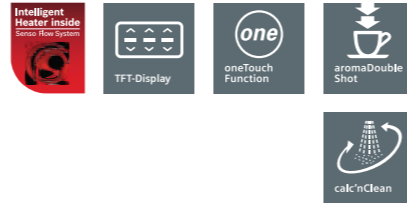
The coffee center gives you unprecedented options for customisation. The myCoffee function is sure to become your favourite, allowing six individual cup preferences to be saved under any name you wish. And when you're performing in front of a crowd, the oneTouch DoubleCup function allows you to make two of the same coffees simultaneously, even those that use milk – so your family and friends won't be kept waiting.

No mess or fuss.

Designed for easy access to the water tank, bean holder and insulated milk jug, the coffee center has front access thanks to a hinged front panel – so it's quick to replace the water or beans. The autoMilk Clean function also performs a fully-automatic steam clean of the milk tubes after every cup, whilst calc'nClean automatically combines the functions of descaling and cleaning. Your Siemens coffee center will even let you know how many cups you have left before the next clean is due.

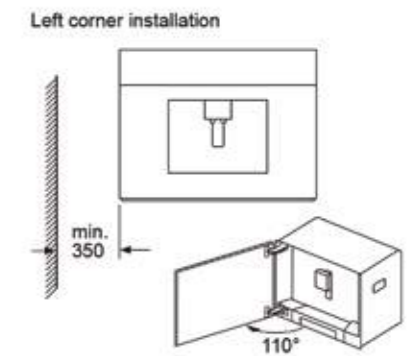
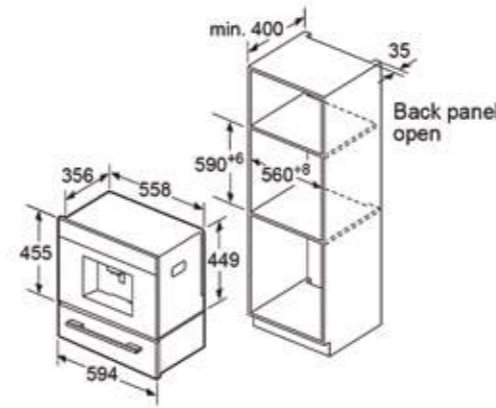
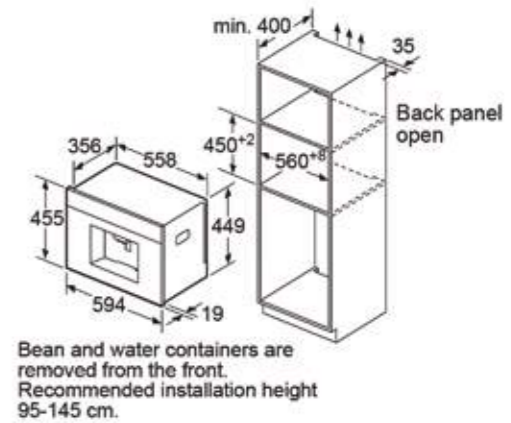
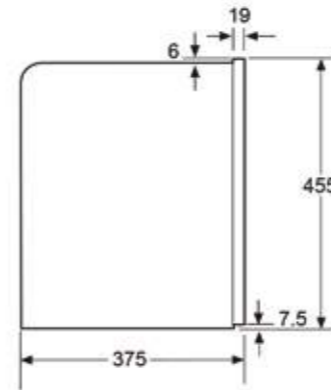


Coffee Machine



CT636LES1	45cm, Fully Automatic Coffee Machine
Key Highlights	<ul style="list-style-type: none"> TFT colour and graphics display with direct touch One-touch coffee shop: 10 types of beverages SensoFlow system: innovative heating system coffeeSensor System: Automatic bean adjustment while grinding AromaDouble shot function
Design & Innovation features	<ul style="list-style-type: none"> One-touch coffee shop: Ristretto, Espresso, Espresso Macchiato, Coffee, Capuccino, Latte, Macchiato, Milk froth, Warm milk and Hot water AromaDouble shot function SensoFlow system: innovative heating system oneTouch DoubleCup selection for regular coffee and myCoffee Mycoffee: 8 memory slots to save favourite beverages individualCup Volume Individual cup sizes adjusted Coffee outlet and milk frother height- adjustable: max 15cm Removable water tank: 2.4 litres Indicator for coffee bean container and water tank Flexible milk solution: Milk Container or carton placement silentCeram Drive: Premium grinder made from nonwearing ceramic coffeeSensor System: Automatic bean adjustment while grinding oneTouch function: Automatic milk frother aromaPressure system Reduced heat-up time: Fastest first cup Separate compartment for ground coffee autoMilk Clean: Fully-automatic steam cleaning of the milk system Milk sensor / reminder: Senses milk container presence singlePortion Cleaning: Complete removal of coffee after each brewing process Integrated Pre-brew function Coffee bean container with aroma preservation lid for 500g Brewing chamber: max 12g Integrated storage compartment for milk tube, short instruction and coffee powder spoon Stainless steel Milk container (0.5 litre) with insulation Water level sensor Indicator for descaling or cleaning programme
Cleaning Features	<ul style="list-style-type: none"> Automatic cleaning system Automatic rinsing function Dishwasher-safe parts of coffee maker: Drip plate, Water tank lid, Milk nozzle, Milk tube, Tester container and Drip tray Display of remaining cups before cleaning or descaling Removable plastic spillage collection Removable drip tray including container for coffee grounds at the push of a button Removable and dishwasher-proof Milk frother Removable brewing unit: Easy cleaning Short rinse function for milk system
Safety & Quality features	<ul style="list-style-type: none"> Childproof lock function Safety functions: Coffee maker is locked if tester container is full, bean tank is missing, brewing unit is missing, door is open, drip tray is full, milk nozzle is missing, powder draw is missing, water tank is empty or water tank is missing
Dimensions	<ul style="list-style-type: none"> Appliance Dimensions (HxWxD): 45.5cm x 59.4cm x 38.5cm Cutout Dimensions (HxWxD): 44.9cm x 55.8cm x 35.4cm
Technical Information	<ul style="list-style-type: none"> Connecting cable: 170cm Total connected load: 1.6 kW

Included Accessories	<ul style="list-style-type: none"> 9 x assembly screws 1 x scoop 1 x water filter 1 x test strip 1 x milk container (insulated) 1 x connection hose for milk frother 1 x milk pipe
Optional Accessories	<ul style="list-style-type: none"> Cleaning tablets - TZ80001 Descaling tablets - TZ80002



A Siemens warmer drawer is the ideal addition to any kitchen.

Designed to blend seamlessly with all Siemens ovens, compact ovens and coffee machines, the warming drawers are available in 140mm format, and achieve perfect alignment in any configuration. Handleless push-pull mechanisms make the drawers a delight to open and close, whilst a simple indicator light tells you at a glance whether they are in operation.

Striking elegance

Designed to perfectly blend with the Siemens ovens, compact combi ovens, microwaves and coffee machines, you will have a choice of 14cm or 29cm in height, holding up to 12 or 40 plates respectively, with four temperature options ranging from 40°C - 80°C.

Elegance and practicality combined

Siemens built-in appliances are designed so that a warmer drawer can be aligned below to appear integral to the unit. This is particularly useful when you have built-in, side-by-side appliances of different heights. The seamless fit of the warmer drawer provides a uniform appearance to both appliances and is pleasing to the eye. The additional warmer drawer provides valuable storage space for crockeries or food in a beautiful seamless manner.

Simple cleaning

The warmer drawer's easy-to-clean smooth and hard ceramic glass base is recessed, which allows for any spillage to be easily contained and then easily wiped off.

Easy access

The fully extendable pull-out drawer allows easy access to the substance and can also accommodate up to 25kgs.



Warming drawers

Perfect for warming plates, a Siemens warming drawer will keep food warm for latecomers – as well as keeping plates at an optimum temperature to ensure hot food keeps its warmth when plated. With adjustable temperatures of 40-80°C, a four-setting iQ700 14cm or 29cm high warming drawer can be installed as a standalone appliance, or acts as the perfect accompaniment to Siemens iQ700 ovens and compacts. The iQ500 range also includes a 14cm high warming drawer featuring 3 settings, designed to coordinate with Siemens iQ500 ovens and compacts.

The perfect line up of an oven, compact appliance with warming drawer is sure to bring style and elegance to any refined kitchen space.

Warmer Drawer

BI630DNS1
29cm Warmer Drawer

Key Highlights

- Frameless glass design
- Stainless steel cavity with Push and Pull
- Blue indicator lights
- Rotary control
- 29cm height

Design & Innovation features

- Interior cavity volume: 52 litres
- Maximum load taken: 25kg (up to 40 plates or 192 espresso cups)
- Functions: Dough proving, Defrost, Hold warm and Plate warming
- Adjustable temperature range from 30-80° C
- Easy-to-clean toughened glass heating plate
- Telescopic full extension rails
- coolDoor

Dimensions

- Appliance Dimensions (HxWxD): 29cm x 59.4cm x 54.8cm
- Cutout Dimensions (H X W X D): 29cm x 56cm x 55cm

Technical Information

- Cavity dimensions (H X W X D): 24.2cm x 46.8cm x 45.8cm
- Connecting cable: 150cm
- Total connected load: 0.81 kW



Warmer Drawer

BI630CNS1
14cm Warmer Drawer

Key Highlights

- Frameless glass design
- Stainless steel cavity with Push and Pull
- Blue indicator lights
- Rotary control
- 14cm height

Design & Innovation features

- Interior cavity volume: 20 litres
- Maximum load taken: 25kg (up to 12 plates or 64 espresso cups)
- Functions: Dough proving, Defrost, Hold warm and Plate warming
- Adjustable temperature range from 30-80°C
- Easy-to-clean toughened glass heating plate
- Telescopic full extension rails
- coolDoor

Dimensions

- Appliance Dimensions (HxWxD): 14cm x 59.4cm x 54.8cm
- Cutout Dimensions (H X W X D): 14cm x 56cm x 55cm

Technical Information

- Cavity dimensions (H X W X D): 9.2cm x 46.8cm x 45.8cm
- Connecting cable: 150cm
- Total connected load: 0.81 kW



Accessories - Coffee Centre

Accessory No.	Image	Name	Accessory for	Description
TZ80001		Cleaning tablets	CT636LES1	The coffee machine signals for its cleaning after few days of usage. The cleaning ensures the old coffee has been removed from brewing unit area.
TZ80002		Descaling tablets	CT636LES1	The coffee machine would signal for its descaling when required or we can opt for descaling process after continuous usage. This method will ensure removal of minerals from water/milk pipe and other compartments. This method of cleaning will also ensure the taste of the espresso is revived and the ability of milk froth is recovered.





Built-in dishwasher, what a modern modular kitchen craves for.

Live your dream. Live your passion. Live the moment. Live to explore. Live to achieve. Because, there's more to life and there's more for you to explore.

Integrated kitchen décor.

Adds a touch of class to your kitchen with a built-in dishwasher by Siemens. It seamlessly integrates with your décor, with its understated and classy finish will enhance the look of the kitchen. Needless to say, compliments galore.

Directly integrated into the kitchen cabinet.

Built-in dishwashers by Siemens are a game changer for modern kitchens. Without making its presence felt, it makes more room for things you love the most. So subtle, so discreet - yet so powerful. Disguised behind a kitchen cabinet, it silently does so much more so that you can live more, live extra-ordinary.

Super capacity. Solid performance.

It can wash more than you think with its tableware settings at one time. Now, playing a perfect host is easy and managing the after party cleaning is even easier. Thankfully, it's all at the touch of a button and the dishes and utensils will be sparkling once again even before you know it.

Inspires to do more.

Make your life larger than life. Do it more simply by making a smart choice that will allow you to go beyond the ordinary. So gear up to dream, explore and discover. Enjoy new experiences and live the life less ordinary with a built-in dishwasher by Siemens by your side.



Made in Germany. Made for you.

Siemens Dishwashers has changed the way washing utensils is thought and perceived in India. Being one of the leading brands, it's cutting-edge innovation coupled with German precision ensures that the most greasy and oily utensils are cleansed with utmost ease, much to the liking of Indian households.





Experience unmatched convenience in dishwashing.

With the state-of-the-art technology, the new range of built-in dishwashers make washing dishes more flexible and convenient than ever before with innovative features like Home Connect, Touch Panel, and rackMatic basket. These dishwashers boast of the patented Zeolith® drying technology which optimises water usage to make your kitchen experience more convenient for your urban lifestyle.



Semi-integrated

The Semi-integrated dishwashers from Siemens blend perfectly into your kitchen. The high-quality control panel of the dishwasher remains clearly visible. It comes with superior Siemens design and convenient access to the numerous functions and programmes. You can choose the material and the colour of your choice.



Fully integrated

Subtly brilliant, the Fully Integrated Dishwashers from Siemens come with pure, clean design. And guess what, they are practically invisible. Basking in its own understated glory and underscoring your kitchen's design. The front panel matches the kitchen cabinets, disguising the entire front of the appliance. The control and display elements are located on the top edge of the door, catching your eye only when you open the dishwasher. Innovative technology couldn't be any more discreet.

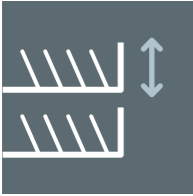
Innovation that excites your imagination.

Siemens dishwashers feature modern design and ingenious ideas for seamless living.



Home Connect

Control your dishwasher through the HomeConnect eco system and in just a few taps you can operate your dishwasher from any remote location.



rackMatic

The 3-Stage rackMatic basket which comes with the smart clip that helps you adjust the upper basket at 3 levels vertically and makes room for all kinds of utensils - be it tall glasses or large pots.



Touch Panel

Our touch panel is not just beautiful, it is also easy to use, intuitive in design and convenient in every sense.



openAssist

Siemens' fully integrated dishwashers are now equipped with a convenient door opening system.



dryingAssist

The door opens automatically and gently during the drying process, allowing the natural drying of the dishes without the need for additional energy.





Crafted for a sparkling and hygienic experience.

Siemens dishwashers give you a seamless cleaning experience.



Hygiene

When it comes to greasy utensils and germs, our 70°C hot water wash makes sure that your dishes are 99.99% germ-free with a squeaky clean shine and an odour-free experience.



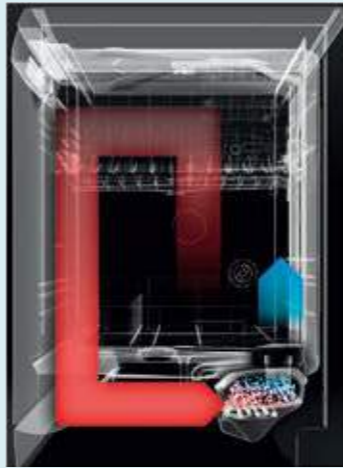
Experience the brilliance of innovative drying.

Zeolith®: Super efficient drying technology.



Using advanced drying technologies, Siemens dishwashers keep energy consumption to a minimum. Zeolith®, a form of zeolite mineral has the astonishing ability to absorb moisture and convert it to heat. What does this mean for you? The heat produced naturally by Zeolith® is used for the drying cycle. No additional energy is therefore required to heat up the contents of your dishwasher for the drying process (as with a standard drying system). This results in perfect drying, with less energy usage than models without Zeolith® technology.

Zeolite is stored in the depths of the dishwasher; this regenerates itself and keeps working for the lifetime of the machine meaning you never have to replace it! Combine this with the Eco 50°C programme to get brilliant results with minimal energy.



Drying phase

Zeolith® absorbs moisture and converts it to heat energy.



Cleaning phase

As the mineral is heated during the cleaning cycle, it is recharged and ready to absorb moisture once more.



Fast enough to break the world record
Siemens dishwashers are powered by Zeolith® drying technology which reduces the complete cycle by 28% than regular dishwashers. This makes us, by a fair distance, the fastest in the world. That's not it, the energy consumption too is at a record of one unit with a phenomenally quick wash time.

Home Connect: Surround yourself with smartness.

Control your dishwasher through the Home Connect ^ mobile app and in just a few taps unravel the future of connectivity anywhere, anytime.



Remote monitoring & Controlling

Experience a smart way to track every move of your dishwasher. With a few taps, you can get easy access to current status of your dishwasher on the go. This includes starting and ending a program, notifications when the washing is done and also enabling you to adjust the settings from a remote location.



Downloadable Programmes*

The Home Connect app allows you to seamlessly download the programme of your choice as per your requirement.



Notification & Reminder

Getting notifications like low rinse aid/salt levels and low detergent levels can be as easy and effortless. The Home Connect app brings to you all the important updates right on your mobile phone or smart watch and also reminds you to buy a new package of tablets when needed.



Favorites

The Home Connect app powers you to save all your favorite programmes and options on the home screen for easy access and better navigation.



Easy Start Assistance

Discover a world of convenience that guides you about your cleaning preferences in accordance to your dish type. It also recommends you the ideal programmes/ options to be used anywhere, anytime.



Voice assistance

It seamlessly integrates with Alexa and Google Assistant. Just by your mere voice, you can easily switch on and off your dishwasher. The voice control function also gives you a check on the duration of the washing cycle.



Remote Diagnostics*

Our advanced systems empower our customer service to remotely determine the issue. This further aids our technicians to assist you better as they are aware of the issue reducing time and effort at both ends.



Software Update

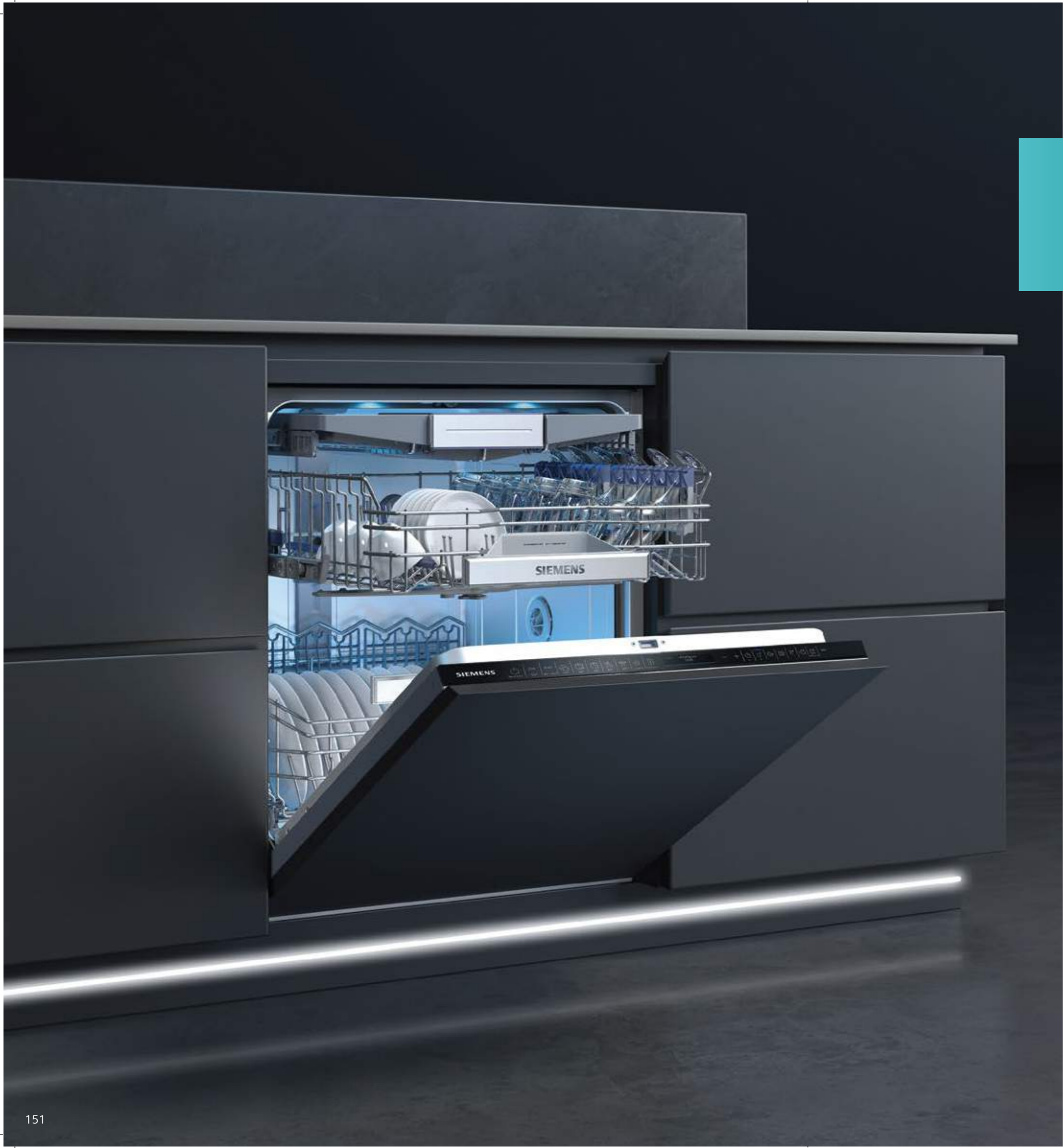
Appliance software update through Home Connect

Home Connect Connected Partner

IFTTT | Google Assistant | Apple WATCH | amazon alexa | fitbit | Wear OS by Google



*Home Connect is currently available in 9 cities (Mumbai, Pune, Bangalore, Hyderabad, Chennai, Jaipur, Kolkata, Ahmedabad, Delhi) and will be available in other cities very soon. *Remote diagnostic & downloadable programs will be available soon in India as well. Images are used for representation purpose only.



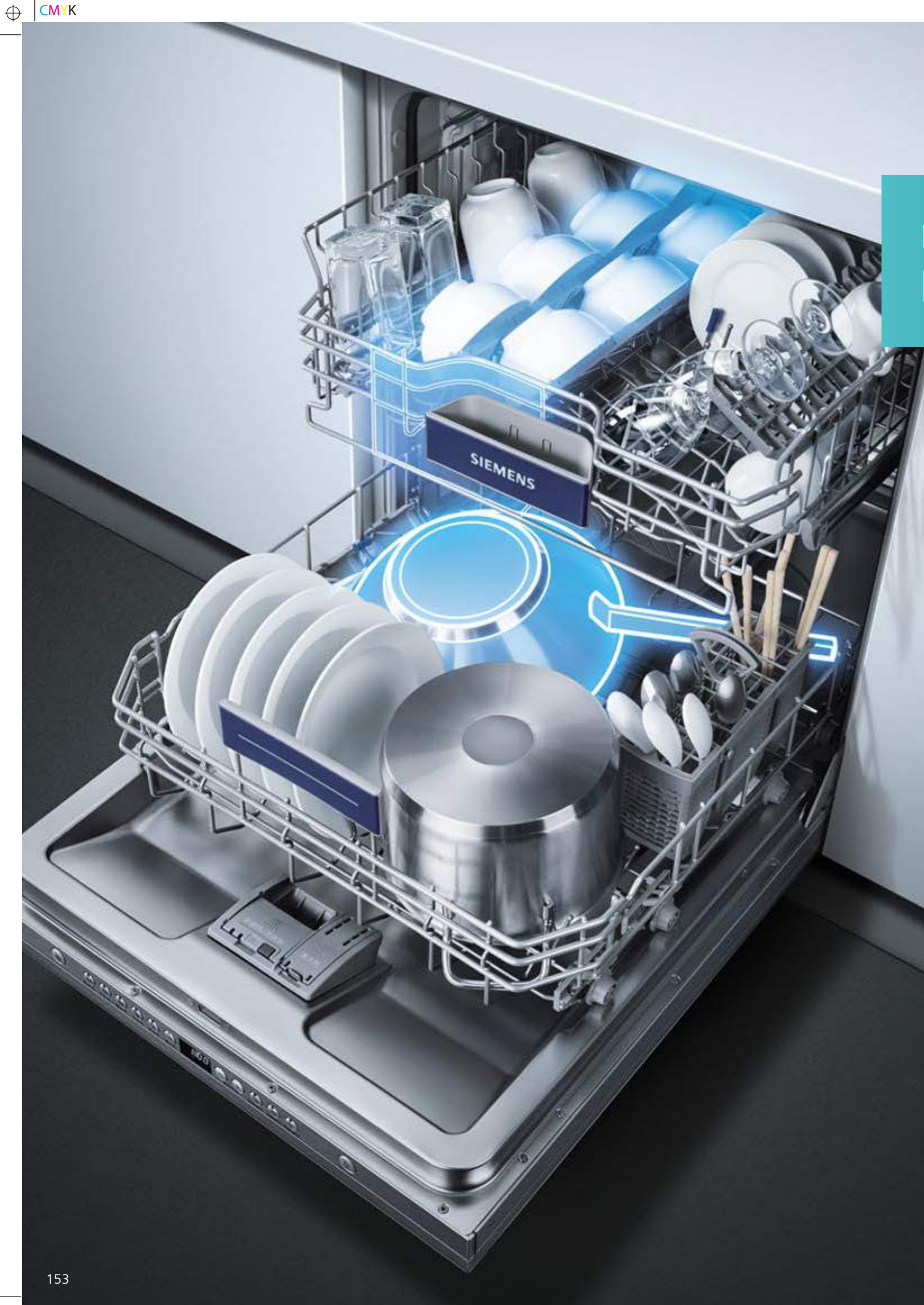
The perfect mate that automates.



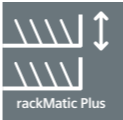
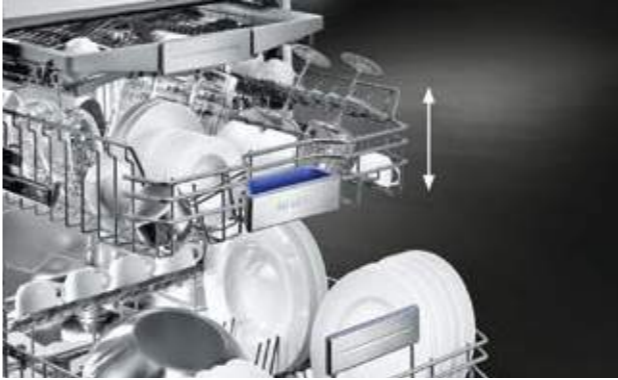
openAssist
 Siemens' fully integrated dishwashers are equipped with a convenient door opening system. With openAssist, you only need to press lightly on the door front to open the dishwasher door. It's so easy and can be seamlessly integrated into any modern handle-free kitchen.



dryingAssist
 Gentle drying, all thanks to dryingAssist: the door opens automatically and gently during the drying process, allowing the natural drying of the dishes without the need for additional energy.



rackMatic: More flexibility for loading your utensils.



rackMatic
Leap into the power of innovation with utmost flexibility offered by the 3-Stage rackMatic basket which comes with the smart clip that helps you adjust the upper basket at 3 levels vertically to make room for all kinds of utensils - be it tall glasses or large pots.



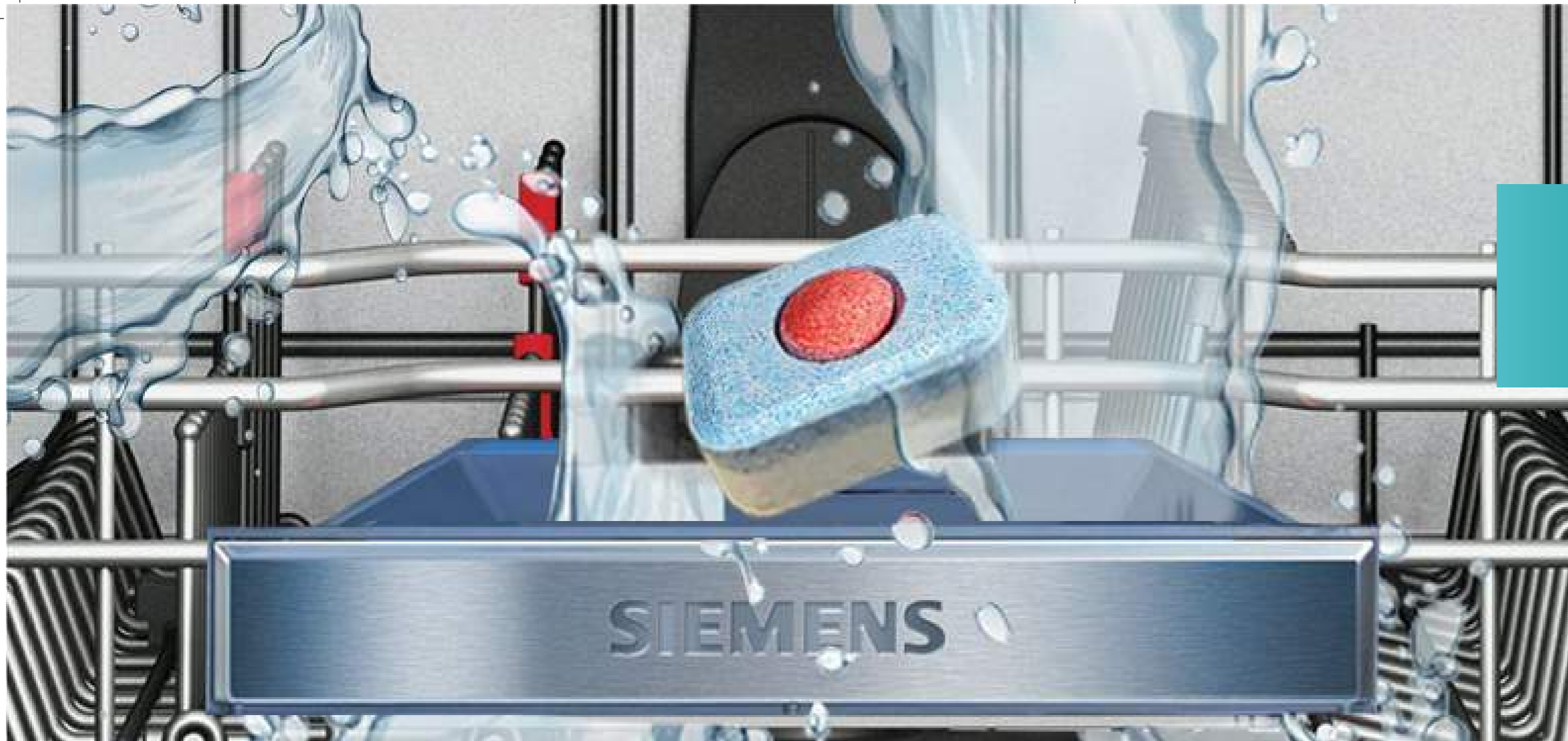
varioDrawer Pro
With its blue adjustment markings, the varioDrawer Pro offers even more assistance in adapting to your individual loading. Whether normal cutlery, cooking utensils or small dishes: in the optimized vario drawer Pro is enough space for everything. And through this additional Loading level, you automatically have more space for large dishes, regardless of the occasion.



varioFlex Pro basket
varioFlex Pro is an innovative racking system that offers remarkably new levels of comfort and flexibility for both upper and lower baskets loading. Combine varioDrawer with varioFlex basket system, up to 15 place settings can be easily achieved. Dishwashing is hassle free even at a party or special occasions.



Coloured Touchpoints guidance
For fast and flexible loading at first glance, handy coloured touchpoints highlight adjustable elements across all levels in the dishwasher.



dosageAssist

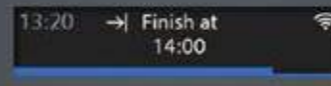
The dosageAssist feature drops the tablet into a specially designed tray making sure the water jets precisely target the tablet resulting in an accurate and even dissolution giving you the efficient utilization of the detergent and sparkling clean utensils.



glassZone

Our new glassZone provides gentle and thorough washing for all kinds of glasses. Thanks to the new glassZone, you can now put even your most valuable glasses in the dishwasher with complete peace of mind. Six integrated nozzles ensure a continuous but gentle water supply, enabling thorough cleaning without damaging sensitive materials. In addition, integrated soft anti-slip elements provide a secure hold, protecting against mechanical stress and preventing damage to glass rims.

SIEMENS

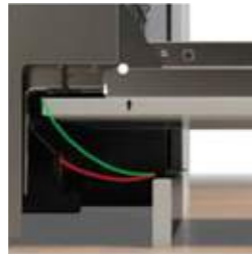


Key Features



Touch Panel

Our touch panel is not just beautiful, it is also easy to use, intuitive in design and convenient in every sense. Sleek in appearance and finished exquisitely, it brings easy access and easy usage, right at your fingertip.



Fixation of furniture front: varioHinge

The furniture front is fixed to the dishwasher door with and by a hinge. When opening the door, the furniture front on top moves. Thus, a collision of the furniture front with plinth and base is avoided. With the variable hinge varioHinge, a minimal plinth height of 6.5 cm can be realized. (Depending on the built-in situation) Ideal installation aid: the VarioHinge pushes the furniture panel upwards, and the appliance door opens easily.



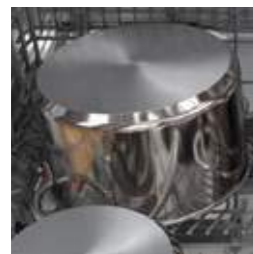
Efficient, sturdy and quiet: iQdrive motor

Siemens Dishwashers are powered by the revolutionary iQdrive motor which is quieter, faster and more efficient. They improve the energy performance of the dishwasher. Set your dishwasher to use less energy while maintaining the same performance level. Its innovative magnetic technology drives the iQdrive without friction for a virtually wear free operation.



varioSpeed Plus

Use the varioSpeed Plus button to run the dishwasher significantly faster without compromising on the wash quality. It is Standard for all models.



intensiveZone

Delicate items and pots and pans can be cleaned together in the same wash. The IntensiveZone option increases the spray pressure and temperature in the bottom basket to handle greasy kadhai, whilst delicate items can be washed safely in the top basket.



Gentle on top, high pressure below. Ideal for mixed load

The Mixed load programme makes cleaning of soiled pots and fragile glasses together possible. It generates more spray pressure in the lower basket so that the most stubborn soiling is taken care of, while the top basket remains unchanged. A perfect dishwashing result is guaranteed even for mixed loads.



emotionLight

Siemens dishwashers feature an internal blue emotionLight that has the wow-factor. Creating a relaxed ambiance, the emotionLight uses LED lights to reflect off your brilliantly-cleaned glasses and create a cool blue glow emanating from inside your dishwasher when you open the door, and switching off again when you close it.



sidelight - Gap illumination.

With the sidelight, you can see immediately whether the washing programme is still running. During operation, the blue light strip illuminates the furniture gap next to the left of the dishwasher. Fulfilling sophisticated requirements for appliances with varioHinge and ideal for high installation.



Machine Care with Siemens dishwashers

For excellent results while washing and drying, it is important to look after your dishwasher correctly. All of our integrated Siemens dishwashers include the Machine Care Programme. This is designed to be used together with a dishwasher cleaning detergent and provides a short, high temperature, high pressure wash designed to remove limescale and grease build up inside your dishwasher and outlet pipes.



Whisper-soft dishwasher

Our special sound insulation technology has made Siemens dishwashers particularly quiet in operation. The innovative pump which pushes the water out of the machine will automatically turn off when no excess water has to be removed, thus eliminating the unpleasant pumping sound. Selected models operate at no more than 42 dB, making them even quieter than whispering.



easyGlide wheel

The smooth-running pull-outs allow the baskets to glide smoothly and quickly, making it particularly convenient to put them in and take them out, even when fully loaded.



rackStopper

A small step in the dishwasher door and specially developed basket rollers with a stop function, guarantees safe sliding of the lower basket. Now pulling it out too far is virtually a thing of the past.



Fully Integrated Dishwasher



SN97YX01CE

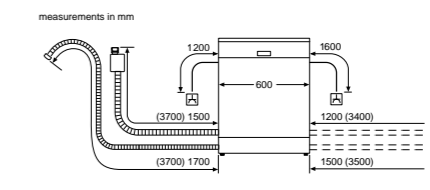
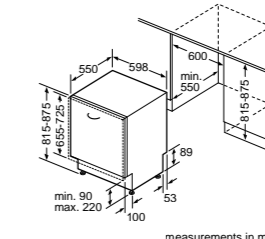
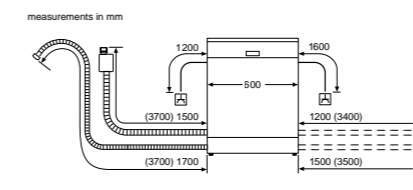
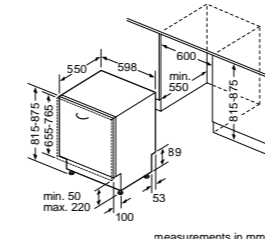
- 14 Place settings
- Fully Integrated



SN636X00ME

- 14 Place settings
- Fully Integrated

Key Highlights	<ul style="list-style-type: none"> • Zeolith® drying Technology • Home Connect* - IOT Enabled Remote Access • openAssist • dryingAssist • Special glassZone • varioHinge • Made In Germany 	<ul style="list-style-type: none"> • rackMatic - 3 Stage Height adjustable Basket • iQdrive • aquaSensor, loadSensor • varioSpeed Plus • Glass Care protection System • Made In Germany
Design & Innovation	<ul style="list-style-type: none"> • Integration with: Google / Alexa voice assistance, IFTTT, Fitbit/Apple/Andriod smart watch, etc. • Touch control Panel • Downloadable Programme* • Remote Diagnostic* • rackMatic - 3 Stage Height adjustable Basket • Cutlery Drawer -VarioDrawer Pro • 8x Flip tines in lower basket • 6x Flip tines in upper basket • 2 cup shelves in top basket • Glass Care protection System • Inbuilt Water softener • Self-cleaning filter system with 3-fold corrugated filter • emotionLight • StatusLight - Gap illumination • aquaSensor, loadSensor • dosageAssist • Detergent Automation • Top shower • Machine Care Program • Time delay: 1-24 hours • aquaStop • iQdrive 	<ul style="list-style-type: none"> • Cutlery Drawer -VarioDrawer • 4x Flip tines in lower basket • 2x Flip tines in upper basket • 2 cup shelves in top basket • infoLight • Inbuilt Water softener • Self-cleaning filter system with 3-fold corrugated filter • dosageAssist • Detergent Automation • Top shower • Time delay: 1-24 hours • aquaStop
Programmes & Options	<ul style="list-style-type: none"> • 8 Programmes: Including Brilliant Shine • 6 Special options: Shine + Dry, intensiveZone, hygienePlus, varioSpeed Plus, Machine Care, Remote Start 	<ul style="list-style-type: none"> • 6 Programmes: Including Intensive 70°C • 3 Special options: varioSpeed Plus, Extra Dry, Machine Care
Technical information	<ul style="list-style-type: none"> • Energy consumption: 0.74kWh • Water consumption: 9.5L • Noise level: 43dB • Dimensions (HxWxD): 81.5 x 59.8 x 55cm 	<ul style="list-style-type: none"> • Energy consumption: 0.93kWh • Water consumption: 9.5L • Noise level: 46dB • Dimensions (HxWxD): 81.5 x 59.8 x 55cm



▲ socket
() values with extension kit

▲ socket
() values with extension kit



Semi-integrated Dishwasher



SN57ZS00VI

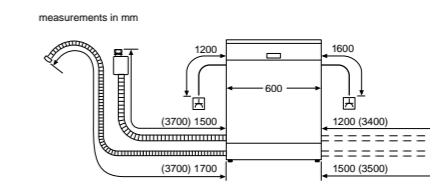
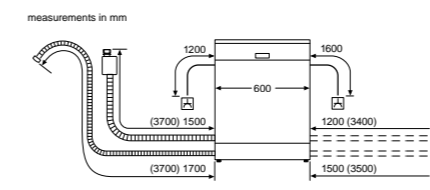
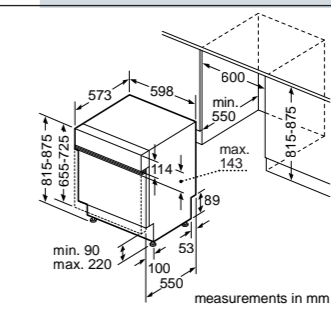
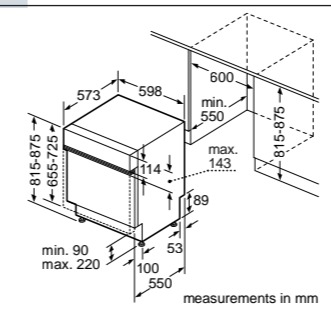
- 15 Place settings
- Semi-integrated



SN55HS00VI

- 14 Place settings
- Semi-integrated

Key Highlights	<ul style="list-style-type: none"> • Zeolith® drying Technology • Home Connect® - IOT Enabled Remote Access • Integration with: Google / Alexa voice assistance, IFTTT, Fitbit/Apple/Andriod smart watches, etc. • rackMatic - height adjustable basket • iQdrive • aquaSensor, loadSensor • Made In Germany 	<ul style="list-style-type: none"> • Home Connect® - IOT Enabled Remote Access • Integration with: Google / Alexa voice assistance, IFTTT, Fitbit/Apple/Andriod smart watches, etc. • rackMatic - 3 Stage Height adjustable Basket • iQdrive • aquaSensor, loadSensor
Design & Innovation	<ul style="list-style-type: none"> • Touch control Panel • Downloadable Programme* • Remote Diagnostic* • Cutlery Drawer -VarioDrawer Pro • 8x Flip tines in lower basket • 6x Flip tines in upper basket • 2 cup shelves in top basket • Glass Care protection System • Inbuilt Water softener • Self-cleaning filter system with 3-fold corrugated filter • emotionLight • dosageAssist • Detergent Automation • Top shower • Machine Care Program • Time delay: 1-24 hours • aquaStop 	<ul style="list-style-type: none"> • Downloadable Programme* • Remote Diagnostic* • Cutlery Drawer -VarioDrawer • 4x Flip tines in lower basket • 2x Flip tines in upper basket • 2 cup shelves in top basket • Glass Care protection System • Inbuilt Water softener • Self-cleaning filter system with 3-fold corrugated filter • dosageAssist • Detergent Automation • Top shower • Time delay: 1-24 hours • aquaStop
Programmes & Options	<ul style="list-style-type: none"> • 8 Programmes: including Intensive Kadhai 70°C • 6 Special options: Hygiene 80° Air, Shine + Dry, intensiveZone, varioSpeed Plus, Machine Care, Remote Start 	<ul style="list-style-type: none"> • 6 Programmes: including Intensive Kadhai 70°C • 5 Special options: intensiveZone, Halfload, varioSpeed Plus, Extra Dry, Remote Start
Technical information	<ul style="list-style-type: none"> • Energy consumption: 0.83kWh • Water consumption: 9.5L • Noise level: 46dB • Dimensions (HxWxD): 81.5 x 59.8 x 57.3cm 	<ul style="list-style-type: none"> • Energy consumption: 0.92kWh • Water consumption: 9.5L • Noise level: 48dB • Dimensions (HxWxD): 81.5 x 59.8 x 57.3cm



socket
() values with extension kit

socket
() values with extension kit

*Home Connect is currently available in 9 cities (Mumbai, Pune, Bangalore, Hyderabad, Chennai, Jaipur, Kolkata, Ahmedabad, Delhi) and will be available in other cities very soon. *Remote diagnostic & downloadable programs will be available soon in India as well.



Free Standing Dishwasher



SN27ZI00VI

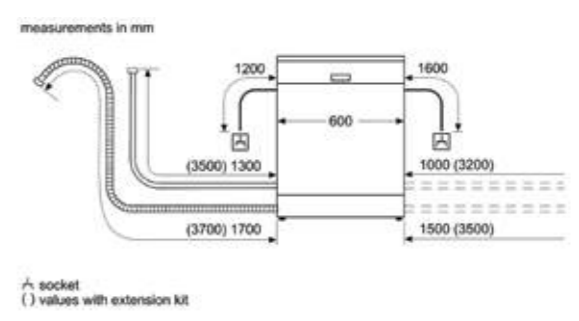
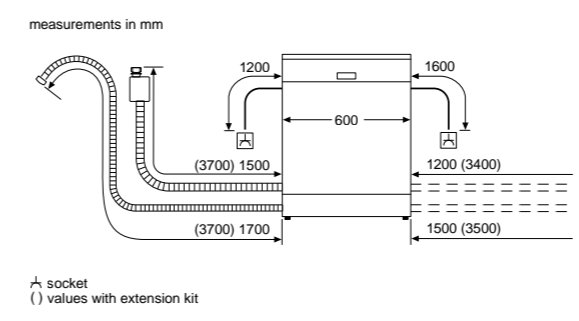
- 15 Place settings
- Free Standing
- Silver Inox



SN25HI00VI

- 14 Place settings
- Free Standing
- Silver Inox

Key Highlights	<ul style="list-style-type: none"> • Zeolith® drying Technology • Home Connect™ - IOT Enabled Remote Access • Integration with: Google / Alexa voice assistance, IFTTT, Fitbit/Apple/Andriod smart watches, etc. • rackMatic - 3 Stage Height adjustable Basket • iQdrive • aquaSensor, loadSensor • dosageAssist • Top shower • Glass Care protection System 	<ul style="list-style-type: none"> • Home Connect™ - IOT Enabled Remote Access • Integration with: Google / Alexa voice assistance, IFTTT, Fitbit/Apple/Andriod smart watches, etc. • rackMatic - 3 Stage Height adjustable Basket • iQdrive • aquaSensor, loadSensor • dosageAssist • Top shower • Half Load • Glass Care protection System
Design & Innovation	<ul style="list-style-type: none"> • Touch Panel • Inbuilt Water softener • Self-cleaning filter system with 3-fold corrugated filter • Downloadable Programme* • Remote Diagnostic* • Machine Care Program • Detergent Automation • Time delay: 1-24 hours • Cutlery Drawer - varioDrawer Pro • 8x Flip tines in lower basket • 6x Flip tines in upper basket • 2 cup shelves in top basket 	<ul style="list-style-type: none"> • Touch Panel • Inbuilt Water softener • Self-cleaning filter system with 3-fold corrugated filter • Downloadable Programme* • Remote Diagnostic* • Detergent Automation • Time delay: 1-24 hours • Cutlery Drawer - varioDrawer • 4x Flip tines in lower basket • 2x Flip tines in upper basket • 2 cup shelves in top basket
Programmes & Options	<ul style="list-style-type: none"> • 8 Programmes: Including Intensive Kadhai 70°C • 6 Wash option: Shine + Dry, intensiveZone, Hygiene 80° Air, varioSpeed Plus, Machine Care, Remote Start 	<ul style="list-style-type: none"> • 7 Programmes: Including Intensive Kadhai 70°C • 6 Wash option: Extra Dry, IntensiveZone, Half Load, hygienePlus, varioSpeedPlus, Remote Start.
Technical information	<ul style="list-style-type: none"> • Energy consumption: 0.83kWh • Water consumption: 9.5L • Noise level: 46dB • Dimensions (HxWxD): 84.5 x 60 x 60cm 	<ul style="list-style-type: none"> • Energy consumption: 0.92kWh • Water consumption: 9.5L • Noise level: 46dB • Dimensions (HxWxD): 84.5 x 60 x 60cm



*Home Connect is currently available in 9 cities (Mumbai, Pune, Bangalore, Hyderabad, Chennai, Jaipur, Kolkata, Ahmedabad, Delhi) and will be available in other cities very soon. *Remote diagnostic & downloadable programs will be available soon in India as well.



Refrigerators, the choice of the connoisseurs.

Connoisseurs know that different foods have hugely different storage requirements. Some require a little more time to mature while others prefer a particularly cool environment. Prized beverages should be stored at a constant temperature and brought precisely up to drinking temperature.

In order to meet the highest demands at Siemens, we develop professional-grade refrigerators for new professional domestic kitchens. Having years of experience, we do this with unparalleled quality and perfection. In doing so, we use materials and techniques that have proven their outstanding quality over decades and draw on our long history of innovation.



The world of extraordinary, lies within our refrigerator.

We at Siemens believe in innovating and developing new technologies as an integral part of our tradition. We have innovations such as fridges that can be controlled according to 4 climate zones to the exact degree, smart technology which ensures that the stored fruits and vegetables stay fresh and don't get affected by the extreme outside temperature, and refrigerators that maintain cooling close to 0 degrees, emulating the modern-day refrigeration units.

Our best-known freshness innovations include freshSense, hyperFresh, and freshProtectbox. These are known to keep your food fresh at any given time. It's our endeavour to provide products that are not only technically advanced, but aesthetically most appealing too. It is the reason why our designers focus on creating simple and minimalistic solutions worldwide. The outcome of this is a range of refrigerators that are both functional and modern, and provide the coolest kitchen experience.

A woman with long dark hair, wearing a black t-shirt and white gloves, is working on a refrigerator door in a factory. She is standing in front of a large metal frame, possibly a testing rig, and is adjusting a component on the door. The background shows industrial machinery and a clean, well-lit factory environment.

Tried and tested for a lifetime.

All Siemens refrigerator appliances are built to last. Every single one of our appliances is rigorously tested before it leaves the factory, ensuring that our products meet all the requirements & more of our customers for a long period of time. For 24 hours a day, our components are tested continuously to the maximum tolerance possible for an equivalent lifetime of the appliance. The doors are then opened and closed by the handle 200,000* times during testing to ensure that they are robust. Materials are not tested for suitability and longevity only; we also look at how they sound and feel when we use them, right down to getting a satisfying door-closing action.



Refrigerators that make a difference.

A refrigerator functions throughout the day, 365 days a year. Thus, it is worthwhile to choose a refrigerator that offers the best energy efficiency. It is our endeavour at Siemens to create products that are high in quality, efficiency and performance. Our appliances are at the top of EU energy saving classifications. In fact some even surpass this benchmark.

Climate class.

Refrigeration works by drawing the warmth out of food stored in the appliance and passing it back into the room. Because of this it is important for refrigerator to be used in the climate range for which it is designed, the climate classes are as below

This is true for all brands in Built-in Range

SN: 10-32°C

N: 16-32°C

ST: 16-38°C

T: 16-43°C

To ensure that the refrigerator operates efficiently and economically make sure that the room in which it is installed is within the temperature range specified for its climate class.

Note: Features will vary from product-to-product. Please refer to individual product specification for full details.

Designed to cool. Designed to look even cooler.

When it comes to refrigerators there is lot more to the word 'cooling' than we know. Keeping your food & other items at the correct temperature requires a sophisticated ecosystem. Trust Siemens refrigerators to know the best condition for your fresh fruits, vegetables and other products that require refrigeration.



2 Cooling system

The Siemens 2 Cooling System compartments ensures constant even temperatures and ideal humidity. Fridge and Freezer compartments are powered by separate cooling circuits with individual temperature controls using 2 evaporators. The cold air is hence not shared between the freezer and the fridge.



multiAirflow System

The multiAirflow System in the refrigerator ensures that cold air is distributed evenly throughout the interior and along the inside of the door. This keeps the temperature constant, even if the door is accidentally left open for a short period of time.



bigBox

The extra-large freezer space, The bigBox is 27cm high so you can stack several pizzas, or put large freezer containers in the spacious bigBox with ease. There's even enough room for pre-filled dessert glasses.



superCooling

With superCooling the temperature of the refrigerator can be quickly reduced to a set time, to cool down the fresh food items. This prevents an undesirable rise in the temperature of the already chilled food.



superFreezing

superFreezing prevents frozen food items from defrosting as you add new food items into the freezer. Once the set temperature is reached, it switches off automatically to prevent energy wastage.





Be spoilt for choice with Siemens.

Multiple integral parts in Siemens Sereis can be arranged in many ways to form an elegant cooling wall in your kitchen. Now take a pick from a variety of styles, be it Bottom freezer, Fridge-Freezer, Fridge-Freezer-Wine Cooler, Four-Door, Three-Door, under counter Fridge-Freezer, Side by Side, Side by Side with Wine Cooler, you name it and we have it.



Bottom Freezer & Fridge



Bottom Freezer & Freezer



Bottom Freezer & Wine Cooler



Side by Side & Wine Cooler



Bottom Freezer



Large Side by Side (1000L) & Wine Cooler



Side by Side & Under Counter Fridge



Four Door & Fridge



Four Door & Freezer



Four Door



Three Door



Large Side by Side (1000L)



Medium Side by Side (500L)



Fridge & Wine Cooler



Fridge & Under Counter Freezer



Fridge



Bottom Freezer



Freezer



Under Counter Side by Side



Under Counter Fridge



Under Counter Freezer



Redefine lifestyle.
Redefine freshness.

There's nothing worse than stocking your fridge with fresh food, only to find that a few days later it is no longer edible. Saving you time and money Siemens fridge freezer features new technology that is going to prolong the life of your fresh produce, meaning there will be fewer trips to the supermarket so you can enjoy your favorite foods for longer.

These benefits include; keeping your food at the correct temperature, locking in the nutrients with our innovative freshProtectbox, hyperFresh drawer, and the airFresh filter that helps to separate the smells in your fridge which means no cross contamination between sweet and savory foods. A Siemens fridge freezer is the smartest way to preserve your food.



FreshSense

Your fridge door is the most frequented door in your home. This can affect the shelf life of a food product. The challenge here is to maintain a consistent and controlled environment despite ongoing changes. freshSense, a combination of temperature sensors with smart electronics and variable-speed fans creates a controlled environment and optimum temperature. It monitors your style of using the fridge and adjusts accordingly to maintain a stable and even temperature.



FreshProtect Box

The freshProtectbox is the luxury suite in your refrigerator. You can set the temperature in the box completely independent from the rest of the refrigerator to 3°C, 1.5°C or 0°C



HyperFresh Plus

Your fresh food can now last twice as long as it would than in a standard vegetable drawer with the Siemens hyperFresh drawer. With an innovative humidity control feature, the drawer retains minerals and nutrients from your vegetables, salads and fruits, increasing their durability by 2X longer.



CoolBox

Ideal for storing meat and fish, the coolBox creates an environment that is almost 3°C which is cooler than the rest of the fridge. The coolBox stores meat and fish at the optimum preservation temperature, whilst allowing other food in the fridge to be chilled at around 4°C.



AirFresh Filter

The airFresh filter separates the odours, ensuring that the fridge smells fresh at all times. The filter neutralises odours in the fridge, ensuring that different smells don't transfer between foods, while the anti-microbial filter stops the transfer of germs and bacteria.



Convenience, a luxury that comes standard with Siemens.

Uninterrupted wide-open spaces and numerous shelving options enable easy customization for different uses. Quality extension runners allow you to slide out storage bins and trays fully for easy loading and unloading. The storage bins are removable, making food preparation and cleaning easier. With a digital display that keeps consumers informed of the precise temperature and helps navigate easily through the operating menus, a door sensor that sets off a warning alarm if the door is left open for any reason; aCool appliances from Siemens feature top of the range technologies.

Storage for anything and everything

For bottles stored in the door, there is a handy bottle storage support that prevents them from rocking moving and tipping over when the door is opened or closed. The versatile pull-out fridge tray in certain models can be positioned at any shelf level and is suitable for storing cold cuts, cheese and other small items.

Acoustic door warning signal

The acoustic door warning signal ensures you're in control. The acoustic door open warning signal alerts you if the door has been left ajar, or if there is no power getting to the fridge. Both energy and wine are safe from being needlessly wasted, saving you money.



SoftClosing door system

The hinges include a special damping system so that when you push the door, it closes gently yet firmly, with no sudden "clunk". And you can walk away with absolute confidence, because the softClosing system will also automatically ensure that the door always closes, completely and securely. With this, even heavier furniture doors are smooth and easy to open and close.



Brilliant illumination with LED

Bright, long-life and maintenance-free LED lights are integrated in to the side walls. With the light aimed slightly towards the rear, the light neither shines directly into your eyes, nor can be blocked by objects stored in your refrigerator.



EasyLift shelves

Expect nothing but convenience with easyLift shelves. Even when full, you can raise or lower the shelf by 6cm to make room for taller items – ideal for serving jugs. The height-adjustable easyLift glass fridge shelf lets you organize storage space quickly and easily, in a way that flexibly meet your needs. The shelf can be raised or lowered by 6cm with one hand - even when fully loaded. The refrigerator door shelves too are adjustable, sliding smoothly and effortlessly up or down as required and without having to unload the contents first.



VarioShelf

The varioShelf consists of two separate 14-cm deep storage shelves and the front shelf can be positioned separately to meet individual storage needs. Positioned one behind the other, the two parts form a whole storage shelf. By sliding the front glass shelf under the back shelf, you can create space in front for particularly tall items, like open bottles or jars.



Fully extendable drawers on telescopic rails

The drawer in the fridge section can be easily pulled out completely and gives a better overview of the refrigerated food. This is ideal because nothing can fall out while getting food items stored at the back of the refrigerator even when stacked fully.



Electronic controls

The digital display allows you to set the precise temperature and helps you to navigate easily through the operating menus. A door status sensor sets off an optical and acoustic warning alarm if the door is left open for any reason. The eco mode helps you to save energy, whilst the vacation setting keeps your items cooled or frozen while you are away for longer periods.

The professional wine storage system.

A perfect addition to our refrigeration appliances, is our full height aCool wine cabinet stores up to 98 bottles whilst adding glamour and individuality to your kitchen.

Dual temperature zones

With the dual temperature zones, your wines can be stored under the best possible conditions. For example, you can keep your white wines in the lower temperature zone, while increasing the temperature in the upper zone for your delicate reds. The LED lighting system is strategically positioned to display your wine to perfection without affecting the internal temperature, and because airFresh filters keep the air inside fresh, your treasured wines won't absorb any unwanted odours.

UV filter

The glass door with integrated UV filter. The aCool vinoThek will always give you an unobstructed view of your fine wines. And to ensure that your wines won't be damaged by harmful UV radiation on sunny days, the aCool vinoThek's glass door is equipped with a UV filter.

Fully extendable shelves

With 14 shelves and seven bottles per shelf, your vinoThek can cradle 98 bottles of wine. To ensure that you can easily access and inspect each and every one of them, every shelf, with the exception of the two fixed in place to distinguish the cooling zones, rest on a smooth-sliding rail system, making them easy to extend as required.



Always control how cool you want your refrigerator to be.



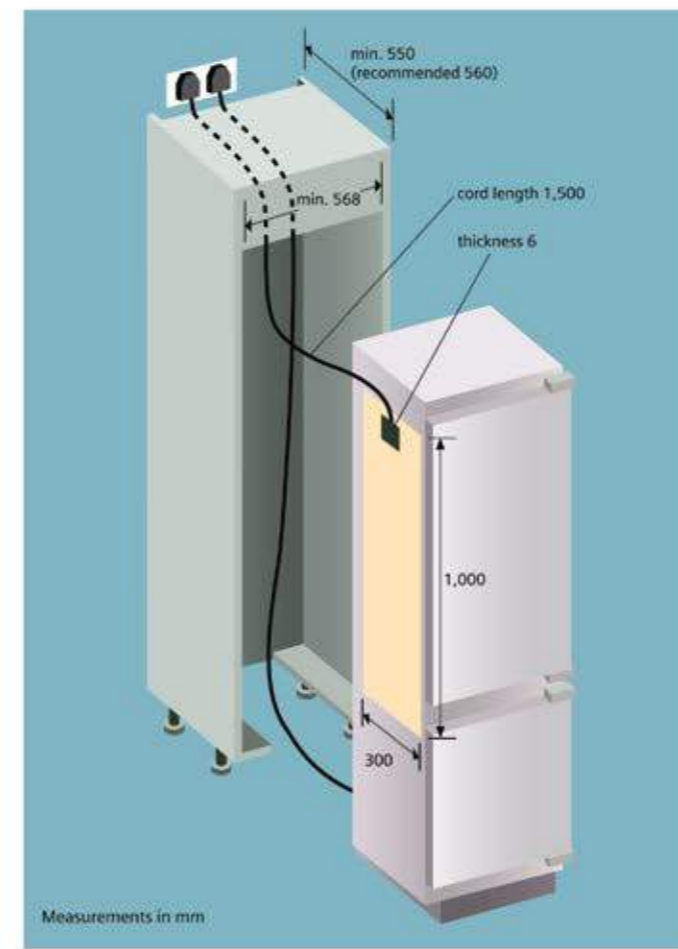
With noFrost technology you'll never have the job of defrosting the freezer again.



noFrost
Defrosting the freezer is now done automatically. Siemens freezers are equipped with intelligent sensor-controlled technology to save the chore of defrosting the freezer. An air-circulation system guides the humidity to the outside of the refrigerator into an external evaporation tray, and sensors measure the degree of humidity and any frost production – ensuring the appliance is periodically defrosted without the need to turn off the appliance or empty it out. Also, ice no longer forms on the inside of the refrigerator, and the appliance's energy consumption remains consistently low.



lowFrost
For those models that come with lowFrost, life is still made easier. lowFrost reduces the build-up of frost by up to 50%, so there is no need to defrost the freezer as often, only once every 3 to 4 years. Designed to save you time and provide added convenience, you can spend your time on the things you enjoy, not defrosting your freezer.



Remove condensation effectively

India is a highly humid region. Particularly during the high humidity periods, condensation is a normal occurrence in our daily lives and homes. Our refrigerators have cool surfaces and so, when the warm humid air contacts its surface, condensation occurs. This condensation will disappear when humidity levels drop, therefore, installing the refrigerator in a dry and/or air-conditioned room is generally recommended.

In response to the environment, Siemens introduced an accessory to enhance the product's usage experience. This accessory is the heating pad (Model number: 00749287).

The heating pad serves dual purpose. It protects the refrigerators from the humid environment, it also protects the kitchen furniture as an optional solution for you.

The heating pad requires a separate power connection with its own adaptor, which is placed on the outer wall of opening side, without any connection or restructuring done to the refrigerators.

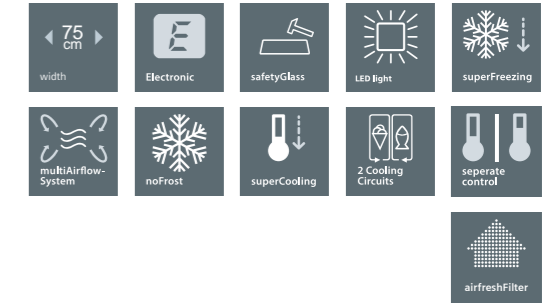
This heating pad is compatible to built-in models.

The heater installation has minimum space requirements. For further details, please arrange for an on-site inspection service.

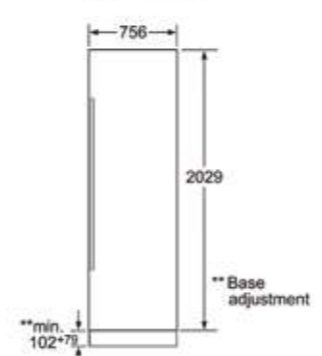
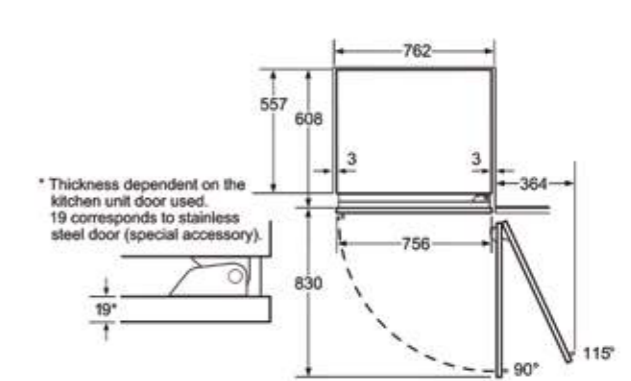
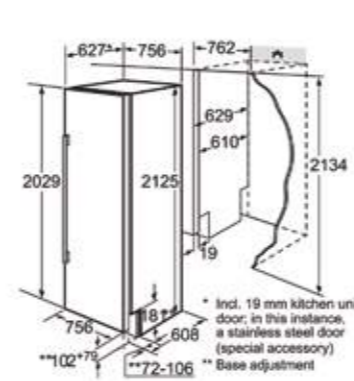
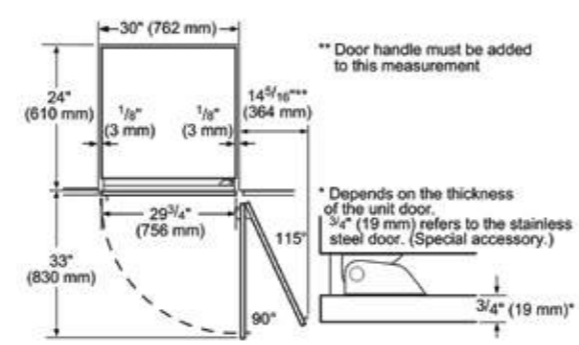
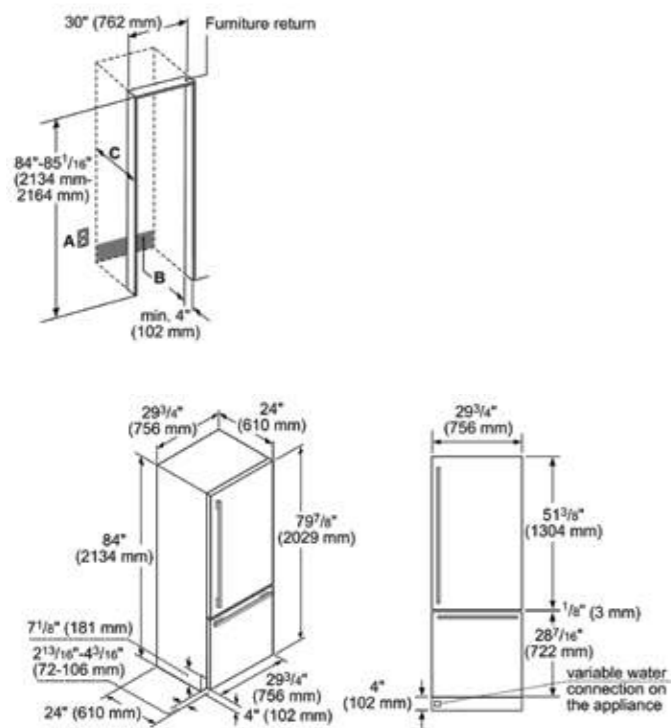
aCool Range



CI30BP02	Built-in Bottom Freezer
Key Highlights	<ul style="list-style-type: none"> Gross Capacity : 517 L Ventilation in plinth (Plinth size can vary) TFT touch electronic display noFrost Holiday Mode Super cool function Acoustic open door warning system Energy Efficiency Class: A++ Right hinged door Reversible door
Fridge Section	<ul style="list-style-type: none"> airfreshFilter multiAirflowSystem 3 Safety glass shelves: 2 are height adjustable 3 Door shelves LED light bars 1 Vegetable container 1 Hyperfresh box for fish and meat
Freezer section	<ul style="list-style-type: none"> Freezing capacity: 14 kg / 24 h Storage time in power failure: 17 h
Dimensions	• (HxWxD): 212.5cm x 75.6cm x 60.8cm
Accessory	• 1 ice cube scoop



CI30RP02	Built-in Fridge
Key Highlights	<ul style="list-style-type: none"> Gross Capacity : 547 L Ventilation in plinth (Plinth size can vary) TFT touch electronic display noFrost Eco Mode Super cool function Acoustic open door warning system Energy Efficiency Class: A++ Right hinged door Reversible door
Fridge Section	<ul style="list-style-type: none"> airfreshFilter multiAirflow-System 4 Safety glass shelves: 3 are height adjustable 4 Door shelves (1 large; 3 small) LED light bars 2 Vegetable containers
Dimensions	• (HxWxD): 212.5cm x 75.6cm x 60.8cm
Accessory	• 1 egg tray



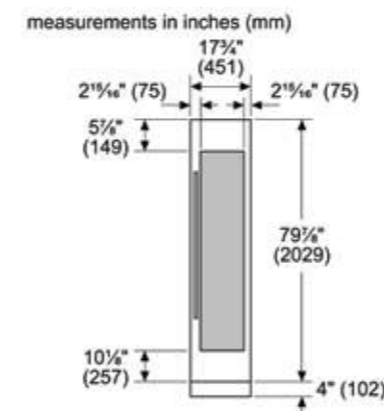
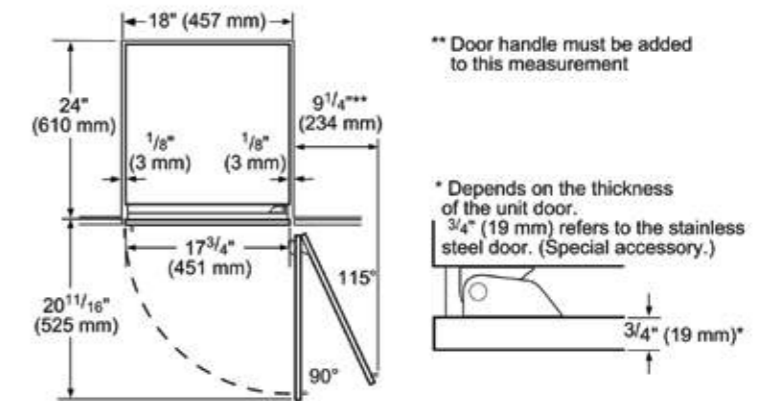
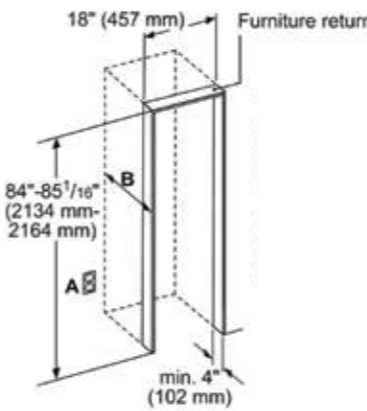
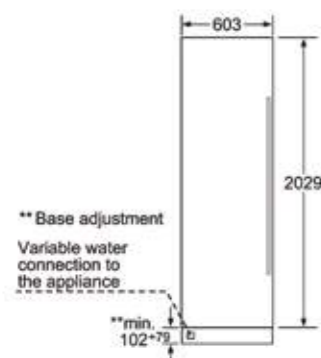
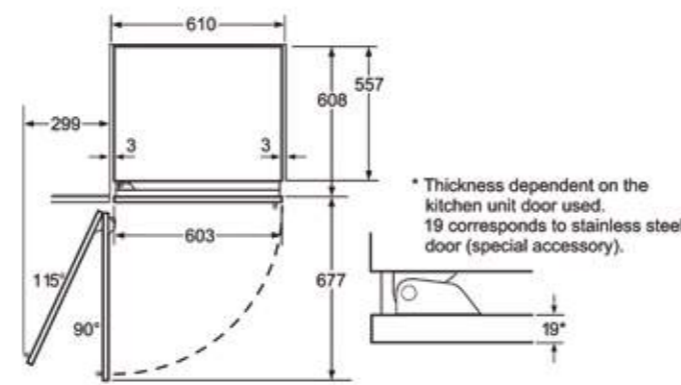
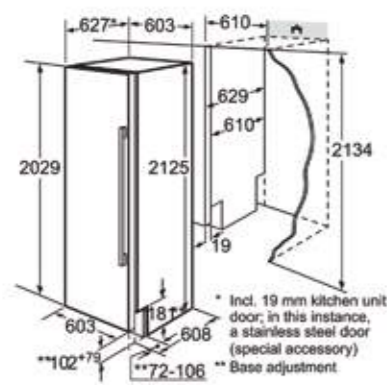
aCool Range



FI24NP32	Built-in Freezer
Key Highlights	<ul style="list-style-type: none"> Gross Capacity : 382 L Ventilation in plinth (Plinth size can vary) TFT touch electronic display noFrost Eco Mode Super cool function Acoustic open door warning system Energy Efficiency Class: A++ Right hinged door Reversible door
Freezer Section	<ul style="list-style-type: none"> Freezing capacity: 18 kg / 24 h Variozone: Removable safety glass shelves for extra space 3 Metal shelves: 2 height adjustable 4 Door shelves LED light bars 2 Transparent freezer drawers Auto ice-cube maker
Dimensions	• (HxWxD): 212.5cm x 60.3cm x 60.8cm



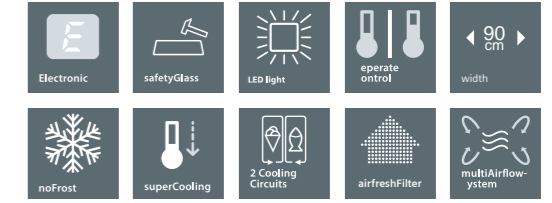
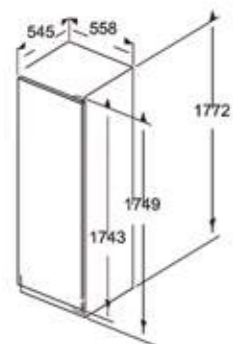
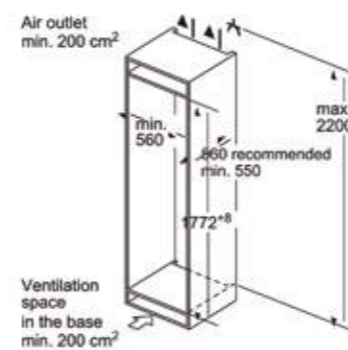
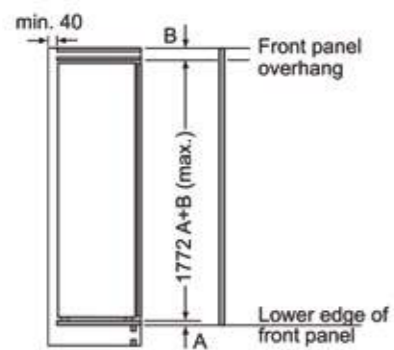
CI18WP03	Built-in Wine Cooler
Key Highlights	<ul style="list-style-type: none"> Gross Capacity : 310 L Ventilation in plinth (Plinth size can vary) Two separate temperature zones, both continuously variable from 5 °C to 18 °C TFT touch electronic display Holiday Mode Dynamic cooling via integrated fan Acoustic open door warning system Glass door integrated with UV Filter Right hinged door Reversible door
Fridge Section	WINE SECTION: <ul style="list-style-type: none"> airfreshFilter 10 bottle shelves for 58 wine bottles Hidden rails with full extendible wooden shelves
Dimensions	• (HxWxD): 212.5cm x 45.1cm x 60.8cm



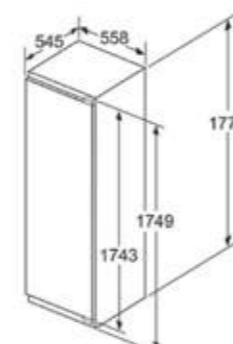
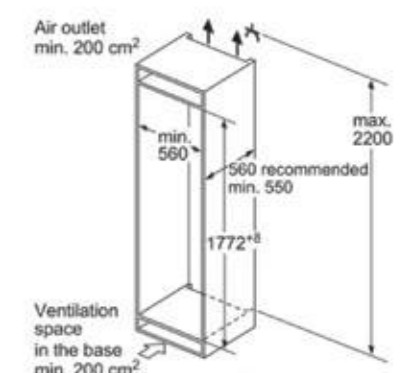
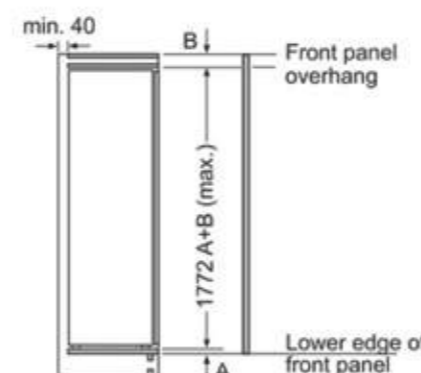
Cool Concept Range



KI81RAF31	Built in Fridge
Key Highlights	<ul style="list-style-type: none"> Gross Capacity : 321L Power ventilation for uniform air circulation Vario shelf: Individually variable for ideal use of space Automatic defrost system noFrost Super Cooling Touch Control Fast cooling switch Acoustic open door warning system Energy Efficiency Class: A++ Right hinged door Reversible door
Fridge Section	<ul style="list-style-type: none"> 1 HyperFresh plus box for fruits and vegetables Fresh Sense Easy access shelf with carbon filter 7 safety glass shelves: 6 are height adjustable 6 door bins 1 dairy compartment
Dimensions	• (HxWxD): 177.2cm x 55.8cm x 54.5cm
Integrated Accessories	<ul style="list-style-type: none"> Egg tray Bottle Holder



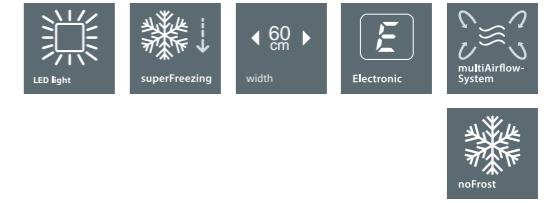
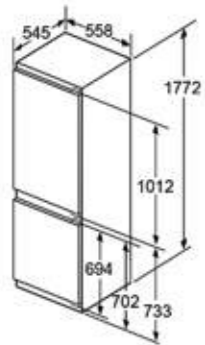
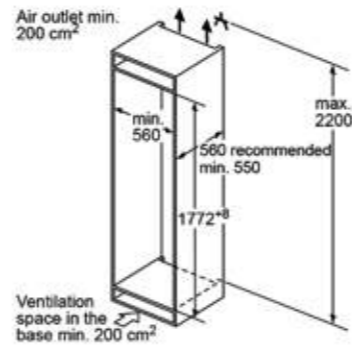
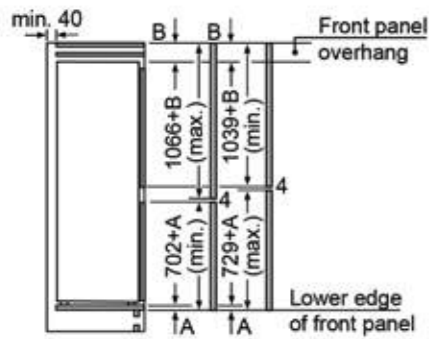
GI81NAE31	Built in Freezer
Key Highlights	<ul style="list-style-type: none"> Gross Capacity :235L Power ventilation for uniform air circulation Automatic defrost system noFrost Super Freezing Function FreshSense Left Hinged Door Reversible door
Freezer Section	<ul style="list-style-type: none"> 2 Big Box drawers 5 pull out drawers Freezing capacity: 20 kg/24 h
Dimensions	• (HxWxD): 177.2cm x 55.8cm x 54.5cm
Integrated Accessories	<ul style="list-style-type: none"> cold accumulator Ice cube tray



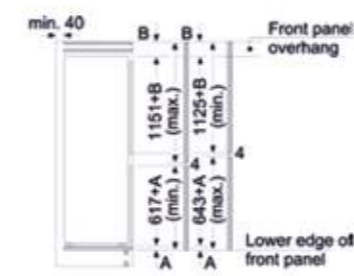
Cool Concept Range



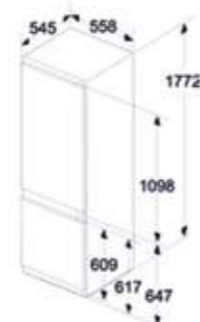
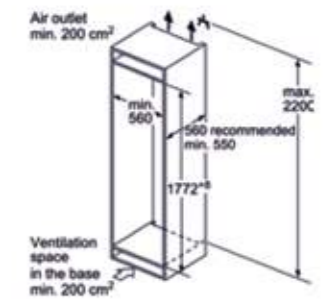
KI86NAF30I	Built-in Bottom Freezer
Key Highlights	<ul style="list-style-type: none"> Gross Capacity : 273L Power ventilation for uniform air circulation Separate temperature control for fridge and freezer Automatic defrost system noFrost Super cool system Super Freezing system Fast Cooling switch Acoustic open door warning system Air Fresh Filter Right hinged door Reversible door
Fridge section	<ul style="list-style-type: none"> 4 safety glass shelves Number of door bins : 4 (3 small & 1 large) 1 Hyperfresh box for fruits and vegetables 1 bigbox for meat and fish LED Light
Freezer Section	<ul style="list-style-type: none"> Freezing capacity: 8 kg/24 h
Dimensions	• (HxWxD): 177.2 cm x 55.8 cm x 54.5 cm
Integrated Accessories	<ul style="list-style-type: none"> Egg tray Ice cube tray



KI87SAF31I	Built-in Bottom Freezer
Key Highlights	<ul style="list-style-type: none"> Gross Capacity : 276L Power ventilation for uniform air circulation Separate temperature control for fridge and freezer Automatic defrost system Super cool system Super Freezing system Fast Cooling switch Air Fresh Filter Right hinged door Reversible door
Fridge section	<ul style="list-style-type: none"> 4 safety glass shelves Number of door bins : 4 (3 small & 1 large) 1 Hyperfresh box for fruits and vegetables 1 bigbox for meat and fish LED Light
Freezer Section	<ul style="list-style-type: none"> Freezing capacity: 5 kg/24 h
Dimensions	• (HxWxD): 177.2 cm x 55.8 cm x 54.5 cm
Integrated Accessories	<ul style="list-style-type: none"> Egg tray Ice cube tray



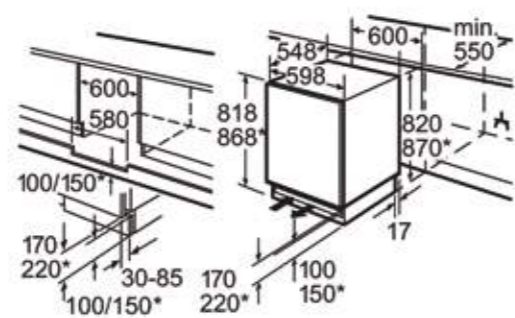
The specified unit door dimensions are valid for a door gap of 4 mm.



Cool Concept Range



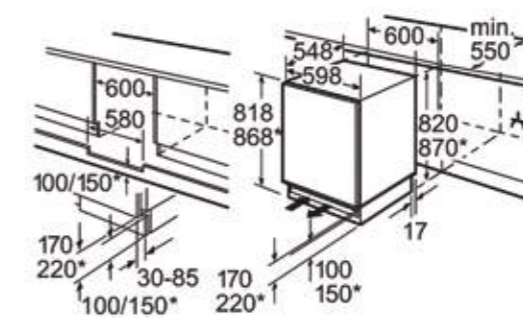
GU15DA55I	Buil-in under freezer
Key Highlights	<ul style="list-style-type: none"> Gross Capacity : 114L Acoustic open door warning system Temperature increase warning system Super Freezing Right hinged door Reversible door Soft closing door
Freezer Section	• 3 transparent freezer drawers
Dimensions	• (HxWxD): 82.0cm x 59.8cm x 54.8cm
Integrated Accessories	<ul style="list-style-type: none"> Cold accumulator Ice cube tray



* Variable base/ substructure height
 Space for electrical connection next to the appliance on the left or right-hand side.
 Ventilation in the base.



KU15RA50I	Built-in under fridge
Key Highlights	<ul style="list-style-type: none"> Gross Capacity : 139L Acoustic door open warning system Easy clean interior Interior with metal applications Right hinged door Reversible door
Fridge Section	<ul style="list-style-type: none"> 3 safety glass shelves, of which 3 are height adjustable Bottle holder Big pull out tray 2 Fresh boxes
Dimensions	• (HxWxD): 82.0 cm x 59.8 cm x 54.8 cm
Integrated Accessories	• Egg tray



* Variable base/ substructure height
 Space for electrical connection next to the appliance on the left or right-hand side.
 Ventilation in the base.

TwinCentre



KS36VAX30I	Free Standing Fridge	GS36NAX30I	Free Standing Freezer
Features	<ul style="list-style-type: none"> Gross capacity : 348L Super Cooling Door Alarm External Door Handle Left Hinged Door Black Inbox door LED Illumination Reversible Door 	Features	<ul style="list-style-type: none"> Gross Capacity : 255L No frost Multi Airflow-System Door Alarm LED illumination in fridge External Door Handle Safety Glass Shelves Black Inbox door Right Hinged Door Reversible Door
Fridge Section	<ul style="list-style-type: none"> 1 hyperFresh plus drawer with humidity control 1 vegetable container with telescopic rail 7 Safety Glass Shelves of which 4 are height adjustable 2 door trays (Large) 2 door trays (Small) 1 door tray with flap 1 bottle rack 	Freezer Section	<ul style="list-style-type: none"> 6 Freezer Safety Glass Shelves 4 Drawers 2 Big boxes Ice twister Freezing capacity : 20kg / 24h
Dimensions	• (HxWxD): 186 cm x 60 cm x 65 cm	Dimensions	• (HxWxD): 186 cm x 60 cm x 65 cm
Accessories	• 3 Egg Trays	Accessories	• 2 Cold Accumulators

French Door Refrigerator



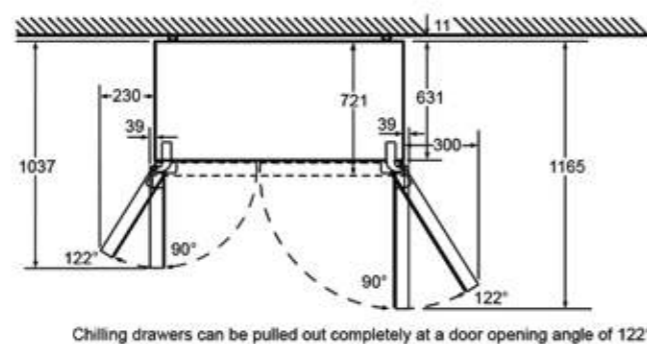
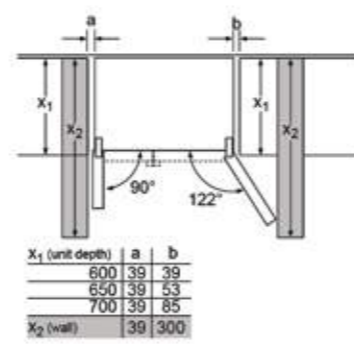
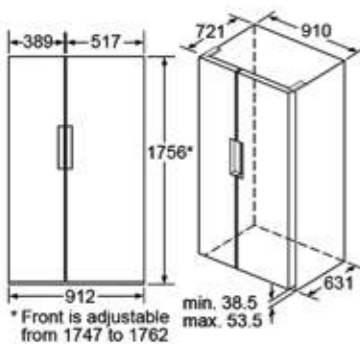
KF86FPB2I*	French Door Bottom Mount Refrigerator
Key Highlights	<ul style="list-style-type: none"> Gross Capacity : 540L Digital LED electronic panel LED illumination Door Alarm Front adjustable Feet for stability Touch Control door panel noFrost Super cool Super Freezing Multi air flow Black glass door with Dots
Fridge section	<ul style="list-style-type: none"> 2 Multibox for extra storage 3 Safety glass shelves, 2 are height adjustable 6 Door trays (2 big ; 4 small) Separate compartment for fresh fruits & vegetable with Hyperfresh premium
Freezer Section	<ul style="list-style-type: none"> 6 transparent freezer drawers 2 Big Box Door opened indicator freezer Freezing Capacity: 14 kg/ 24h
Dimensions	• (HxWxD): 183.0 cm x 81.0 cm x 73.6 cm
Integrated Accessories	<ul style="list-style-type: none"> Cold accumulator Egg tray

*Till stock last.

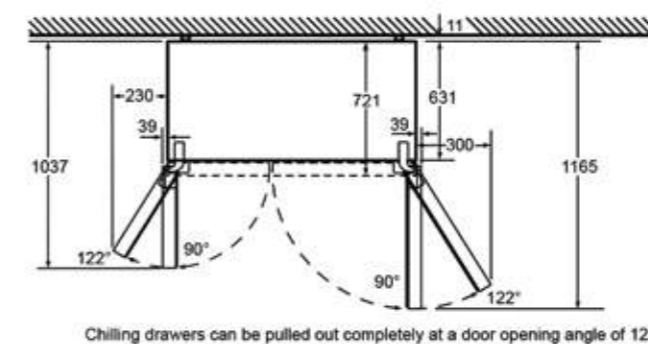
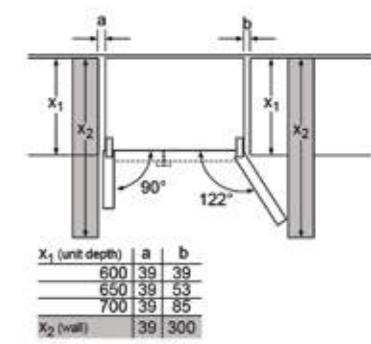
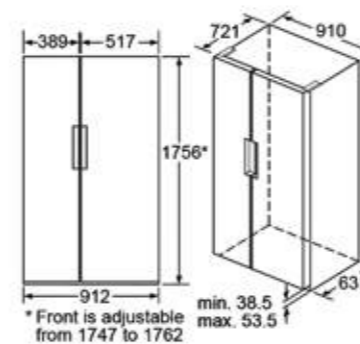
Side - by - Side Refrigerators



KA92NLB35I	Side by side Fridge-Freezer
Key Highlights	<ul style="list-style-type: none"> Gross Capacity : 655L No Frost Multi Air Flow System Air fresh filter Twin LED electronic control Two Cooling Systems Super Cooling: automatic deactivation Super Freezing: manual activation Black glass door with dots Optical and acoustic door open warning system Left and right hinged door
Fridge Section	<ul style="list-style-type: none"> 1 hyperFresh plus box for fresh fruits & vegetables 1 hyperFresh box for fish and meat 1 fresh box 4 Safety Glass Shelves, 3 are height adjustable 2 door shelves large, 3 door shelves small Dairy compartment
Freezer section	<ul style="list-style-type: none"> 2 Pull out drawers with 1 big box 4 glass shelves; 3 are height adjustable 5 door trays Ice cube twister Freezing capacity: 12 kg/24 h
Dimensions	• (HxWxD): 175.6 cm x 91.2 cm x 73.2 cm
Integrated Accessories	• Egg Tray



KA92NVS30I	Side by side Fridge- freezer
Key Highlights	<ul style="list-style-type: none"> Gross Capacity : 658L No Frost Super cool function Superfreezing function Multi Airflow-System Separate temperature control for fridge and freezer Door Alarm Front adjustable Feet for stability Silver door finishing Integrated Vertical Handle
Fridge Section	<ul style="list-style-type: none"> 1 Multibox for extra storage 4 Safety Glass Shelves; 3 are height adjustable 2 door shelves large, 2 door shelves small
Freezer section	<ul style="list-style-type: none"> 2 Pull out drawers on extension rail systems 4 door trays Freezing capacity: 12 kg/24 h
Dimensions	• (HxWxD): 175.6 cm x 91.2 cm x 73.2 cm
Integrated Accessories	<ul style="list-style-type: none"> Ice cube tray Egg tray



Corporate Showroom and Experience Centres:

Mumbai:

BSH Household Appliances Manufacturing Pvt. Ltd.
Arena House, II Floor, Main Building,
Plot No.103, Road No.12,
MIDC, Andheri, Mumbai - 400093. India.

Bangalore:

BSH Household Appliances Manufacturing Pvt. Ltd.
th No - 8, GF, 15 Cross, 6th Phase,
J P Nagar, Bangalore - 560 078. India.

Delhi NCR:

BSH Household Appliances Manufacturing Pvt. Ltd.
nd NIIT, Tapasya Building, 2 Floor,
Plot No - 5, EFGH, Sector 126, Greater Noida, Expressway, Noida - 201 313, UP. India.

Chennai:

BSH Household Appliances Manufacturing Pvt. Ltd.
th 4 Floor, South Towers,
KRM Plaza, Harrington Road,
Chetpet, Chennai - 600031. India.

Siemens toll free number - 1800 209 1850
(Monday to Saturday: 8am to 8pm)

www.siemens-home.bsh-group.in

BSH Group is a Trademark Licensee of Siemens AG.
st Valid from 18th April, 2022.

Important Notes:

Certain appliances shown in this catalogue may not be available in India. Model numbers and specifications are for reference only and subject to change without prior notice. Please contact your local Siemens retailer for the latest information.

BSH Household Appliances Manufacturing Pvt. Ltd. reserves the right to change specifications without notice, in the interest of technological progress. While every effort has been made to ensure that all specifications and descriptions are correct at the time of going to press this brochure should not be regarded as infallible guide nor as an offer of sale for a particular product. Due to variables in the reproduction process, colours of actual products may vary slightly from those depicted. We recommend a visit to a Siemens dealer to confirm that specifications and colours are to your satisfaction.

All descriptions and installation diagrams are intended as a guide only. For additional technical information, full dimensional and installation details, please refer to the instruction manual supplied with the appliance.

All rights reserved. No part of this publication may be reproduced In any form by any means without the prior written permission of BSH Household Appliances Manufacturing Pvt. Ltd. (EOE)