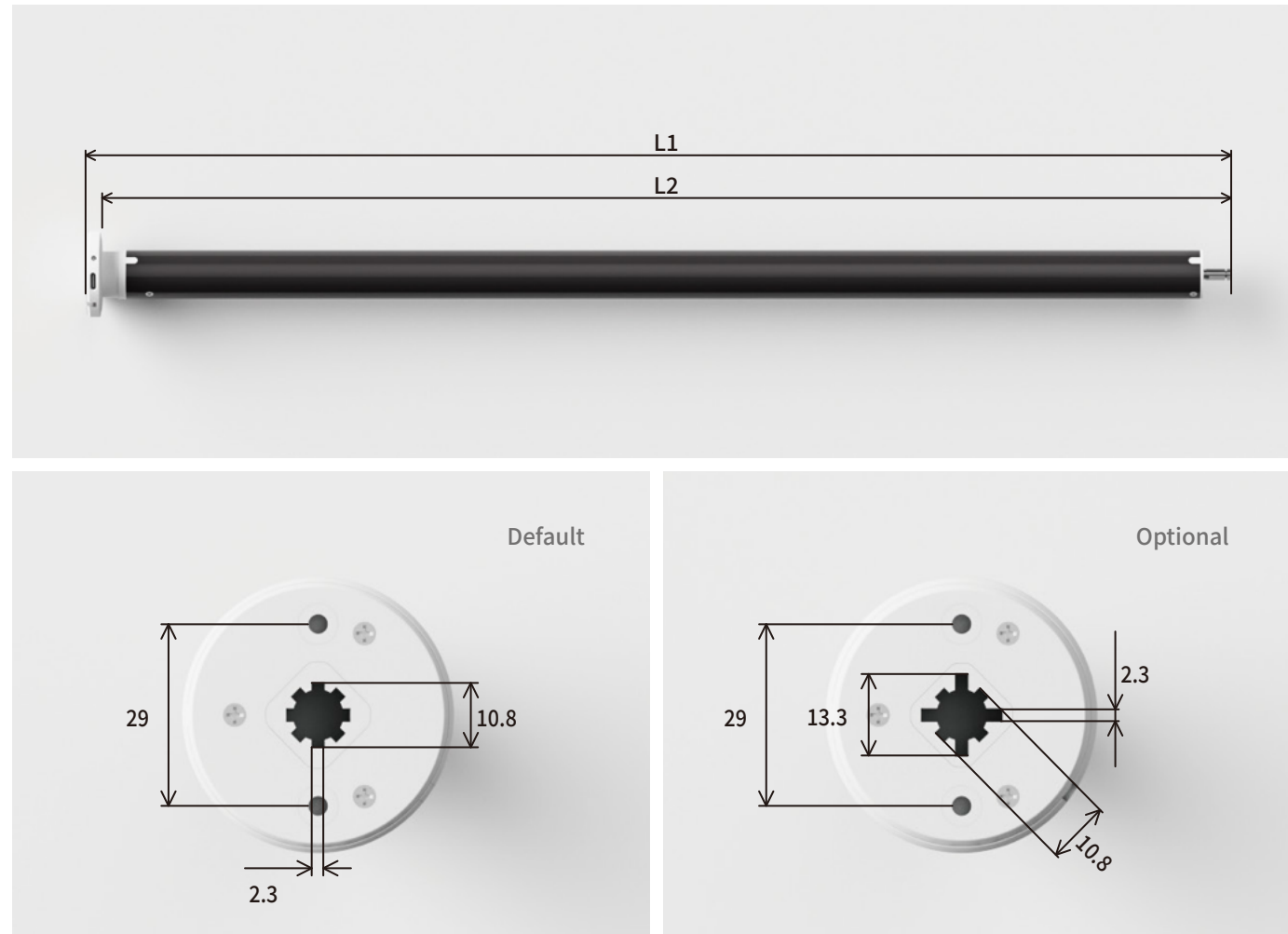


# RM25 LE SERIES

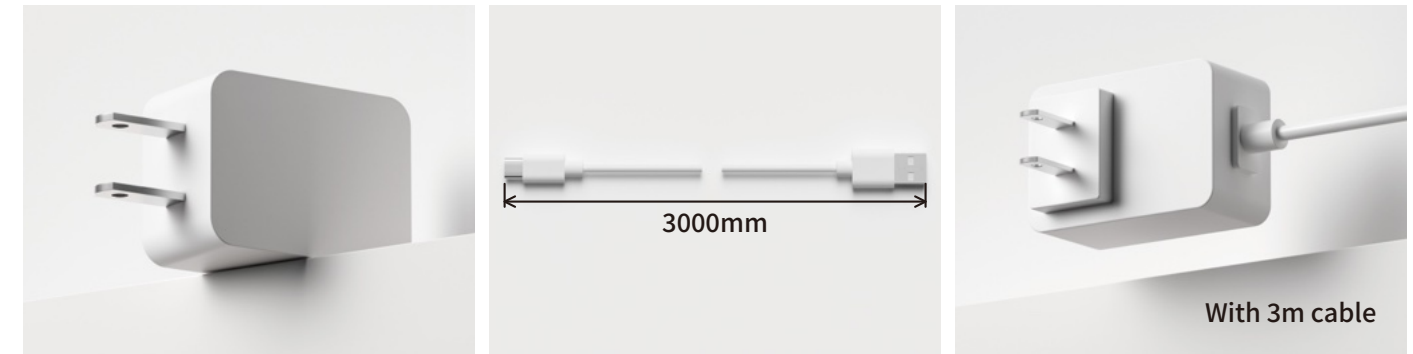
Battery (Li-ion) Powered Motor

## Dimensional Drawing

Unit: mm



## Accessories Information



### Charging Cube DC5V

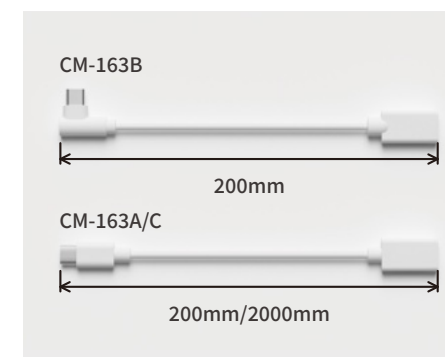
REP118A

### Charging Cable

CM-182A

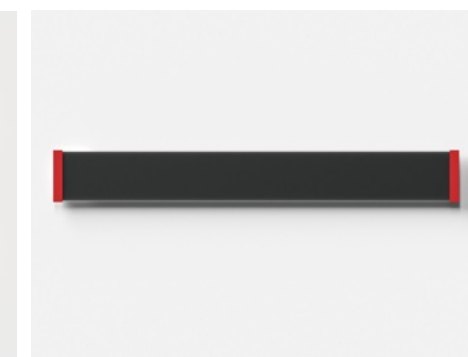
### Fast Charger

REP134



### Extension Cable

CM-163A/B/C



### Solar Panel

REP130

## Regular Features

- 1 Anti-static
- 2 Type-C
- 3 Fast charging
- 4 Power bank
- 5 Solar panel
- 6 Adjustable speed
- 11 Stall protection
- 12 Power-off limits position memory

- 7 Sync running
- 8 Low battery protection
- 9 Soft start and stop
- 10 Favorite position
- 13 Tilting function
- 14 Low power consumption

PARAMETER	RATED TORQUE	BATTERY	RATED CURRENT	RATED POWER	RATED SPEED	RUNNING NOISE	RUNNING TIME	LENGTH L1/L2	PROTECTION GRADE	HIDDEN ANTENNA	FEATURE	CONTROL METHOD
RM25-LAQ-W1-1.1/20	1.1Nm	2-Cell	1A	7.5W	20/28rpm	32dB	6min	485/477mm	IP20	<input checked="" type="checkbox"/>		
RM25-LAM-W1-1.1/20	1.1Nm	2-Cell	1A	7.5W	20/28rpm	32dB	6min	485/477mm	IP20	—		
RM25-LEZY-W1-1.1/20	1.1Nm	2-Cell	0.75A	6.3W	20/28rpm	36dB	6min	485/477mm	IP20	—	—	

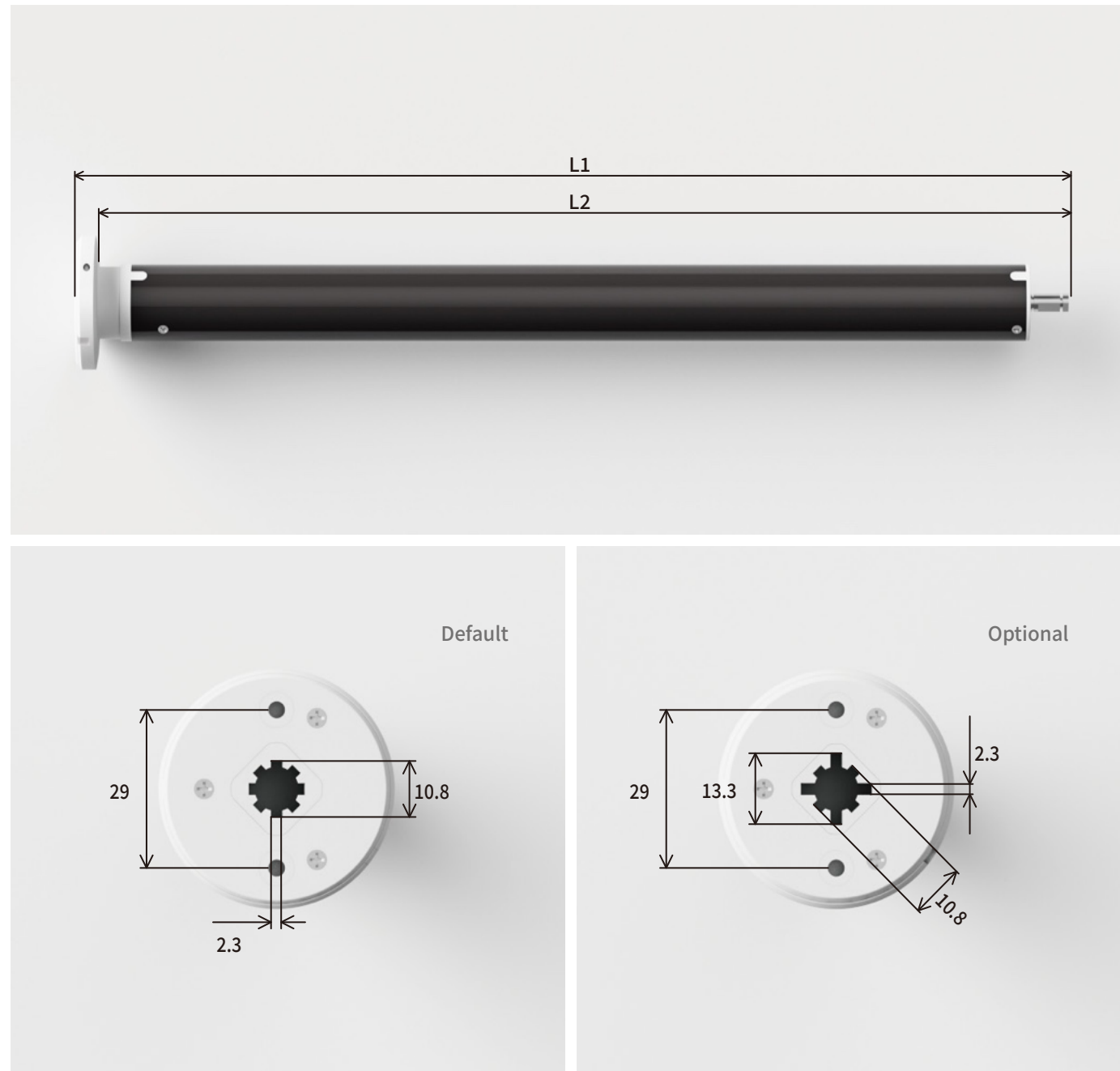
# RM25 OE SERIES

Low Voltage Powered Motor

MOTORIZATION  
SUPPLIES

## Dimensional Drawing

Unit: mm



## Regular Features

- 1 Anti-static
- 2 Adjustable speed
- 3 Sync running
- 4 Soft start and stop
- 5 Tilting function
- 6 Favorite position
- 7 Obstacle protection
- 8 Low start-up voltage
- 9 Power-off limits position memory

## Accessories Information



### Adapter

REP114



### Power Panel

BLD-480W-12V/24V



### Power Panel

LRS-450-24

PARAMETER	RATED TORQUE	RATED VOLTAGE	RATED CURRENT	RATED POWER	RATED SPEED	RUNNING NOISE	RUNNING TIME	LENGTH L1/L2	PROTECTION GRADE	FEATURE	ADAPTER	BATTERY WAND	HIDDEN ANTENNA	CONTROL METHOD
RM25-OA-W1-1.1/20	1.1Nm	24V	0.35A	8.4W	20/28rpm	36dB	6min	325/317mm	IP20	—	—	—	<input checked="" type="checkbox"/>	

# RV24 SERIES

DC Powered Tilt and Cord Lift Motor

MOTORIZATION  
SUPPLIES

## Dimensional Drawing

Unit: mm



## Accessories Information



### Motor Bracket

RA242/243/244/247



### Output Shaft Head

RL241/242



### External Adapter

REP101



### Battery Wand

REP110A



### Power Panel

BLD-480W-12V

## Regular Features

- 1 Soft start and stop
- 2 Sync running
- 3 Adjustable speed
- 4 Tilting function
- 5 Favorite position
- 6 Stall protection
- 7 Electronic limit
- 8 Power-off limits position memory

PARAMETER	RATED TORQUE	RATED VOLTAGE	RATED CURRENT	RATED POWER	RATED SPEED	RUNNING NOISE	RUNNING TIME	LENGTH L1	PROTECTION GRADE	POWER ADAPTER	BATTERY WAND	AUTO CATCH-UP LEVELING	CONTROL METHOD
RV24-OE/L-D3-0.8/30 Venetian & Honeycomb Shades	0.8Nm	12V	0.8A	9.6W	22/30rpm	36dB	6min	207mm	IP40	<input checked="" type="checkbox"/>	<input checked="" type="checkbox"/>	—	

# REMOTE CONTROL



**RE315**  
15-channel emitter

**RE500**  
Smart controller

## RE315 15-Channel Emitter

**Rolling Code 433.92MHz**  
Radio Frequency

**-10°C~55°C**  
Operating Temperature

**> 120 Meters**  
Control Distance

**10%~90% RH (non-condensing)**  
Humidity Range

**139\*37\*15mm**  
Dimension

**DC 3V**  
Input Voltage

# SOLAR PANEL

## REP130 Indoor Solar Panel



**5.5V**  
Output voltage

**4W**  
Output power

**430mm\*55mm\*11mm**  
Dimension

**-20°C ~ +60°C**  
Working temperature

For RM25/28/35/45 LE series + REP140 Battery

# BATTERY

## REP110A Rechargeable Battery Wand



**12V/2.6A**  
Output

**2550mAh**  
Capacity

**225mm\*27.5mm\*27.5mm**  
Dimension

**5V/2A 12.6V/0.5A**  
Input

For All PRAESTO DC12V Motors