

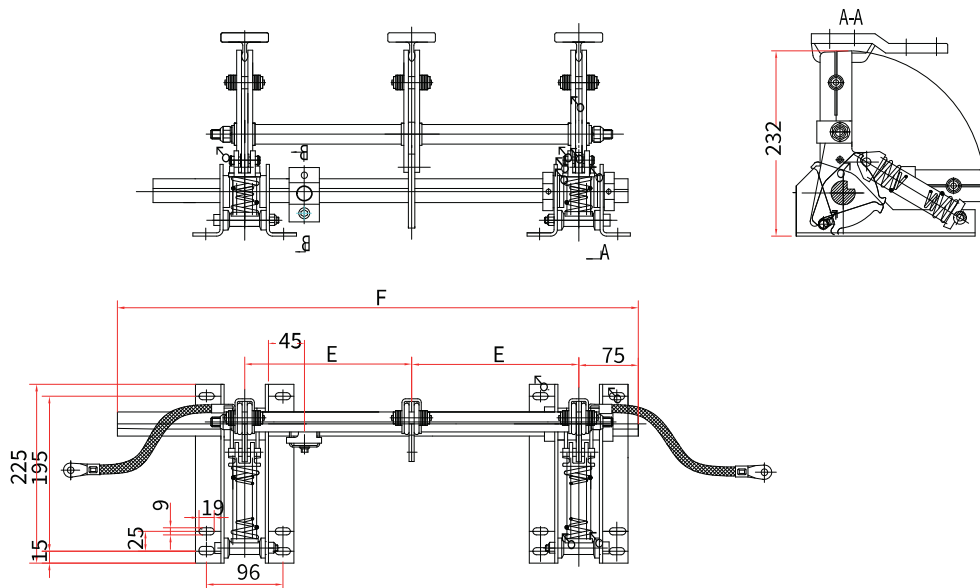
接地開關

Earthing Switch



EA系列

額定電壓 Rated voltage	12KV	24KV
短時耐電流 Rated short-time withstand current	31.5KA	25KA
峰值耐受電流 Rated peak withstand current	80KA	65KA
短路持續時間 Rated short-circuit duration	4s	4s
短路操作能力 short-circle making	2times	2times
耐電壓 Rated short-time powder frequency withstand voltage)	42KV	50KV
衝擊耐受電壓 Rated lightning impact withstand voltage	75KV	125KV
機械壽命 Mechanical endurance	2000	2000



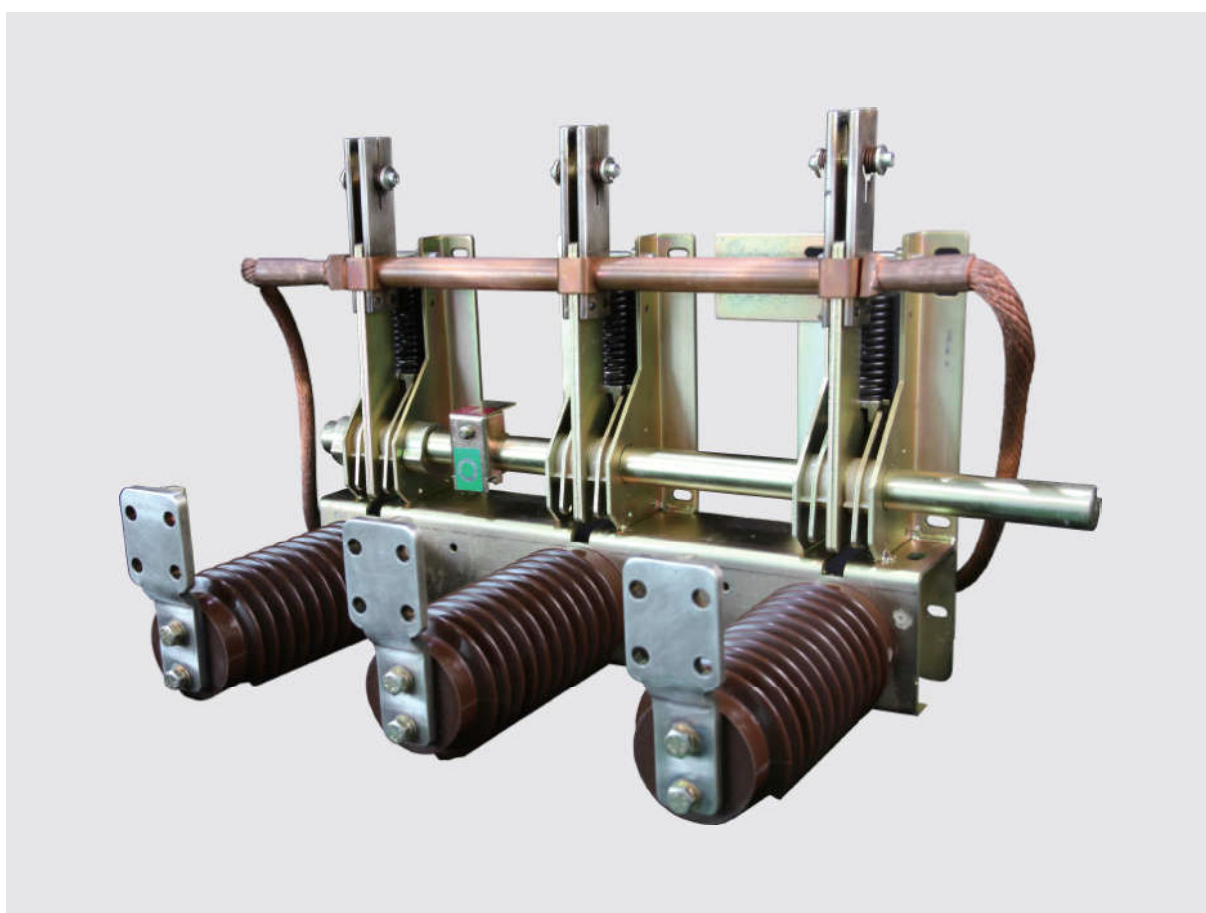
型式	E	F	H
EA-A1231-P150	150	565	232
EA-A1231-P210	210	655	232
EA-A1231-P275	275	810	232
EA-A2431-P210	210	655	335
EA-A2431-P275	275	810	335

接地開關

Earthing Switch



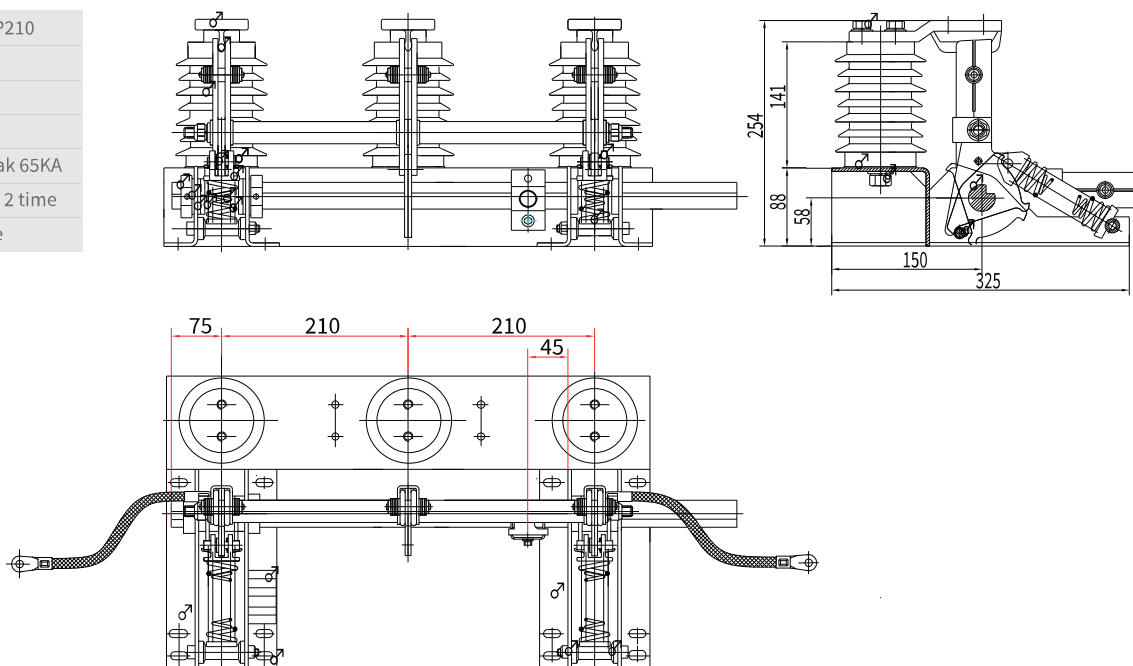
ES系列



ES-A121231-P210

型號	ES-A121231-P210
額定電壓	12KV
耐電壓	36KV / 1min
衝擊電壓	70KV
短時耐電流	31.5KA 4S peak 65KA
短路試驗	E1 peak 65KA 2 time
機械壽命	M1 2000 time

符合IEC62271-102:2013



ES-A241225-P210

型號	ES-A241225-P210
額定電壓	24KV
耐電壓	50KV / 1min
衝擊電壓	125KV
短時耐電流	25KA 4S peak 65KA
短路試驗	E1 peak 65KA 2 time
機械壽命	M1 2000 time

符合IEC62271-102:2013

