



PT.GLOBAL SINDO PERKASA

Ruko Taman Palem Lestari Blok D10 NO.27

Cengkareng Barat, Cengkareng, kota Administrasi Jakarta Barat, 11730

DKI Jakarta - INDONESIA

Email :gsp.sales@global-sindo.com



TABLE OF CONTENT

01. COMPANY OVERVIEW

02. OUR PROCESS

03. BUSINESS OVERVIEW

04. OUR PRODUCT

04.01. CONVEYOR BELT

04.02. CONVEYOR ROLLER

04.03. CONVEYOR PULLEYS

04.04. DRLQ- HOT VULCANIZER MANUFACTURER

04.05. TIRE CAP VALVES

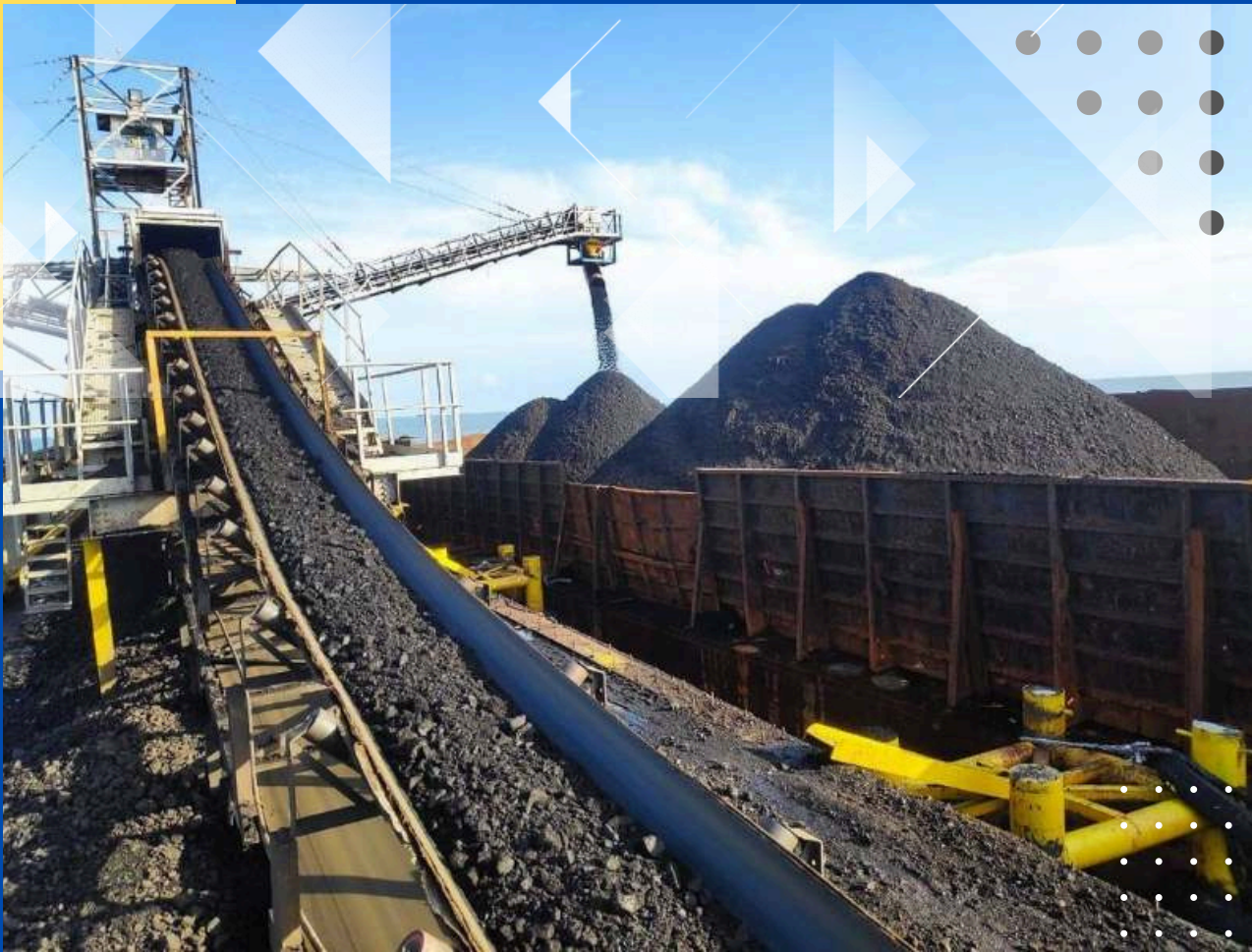
04.06. VELG BAN TUBELESS

04.07. INNER TUBE

04.08. BAN TUBELESS & NON TUBELESS

04.09. K.J PUMP

04.010. MAGLEV TURBO VACUUM PUMP



COMPANY OVERVIEW

About Us

PT. Global Sindo Perkasa established since September 2023 is a company engaged in the fields of large trade, mechanical machinery, electrical and its spearparts. PT. Global Sindo Perkasa answers the need to become the largest Distributor Company by supplying goods to industrial area; Cement Industry, Mining, Pulp & Paper Industry, Chemical Industry, Contractors, Food & Beverage Industry, Sugar Industry, etc.

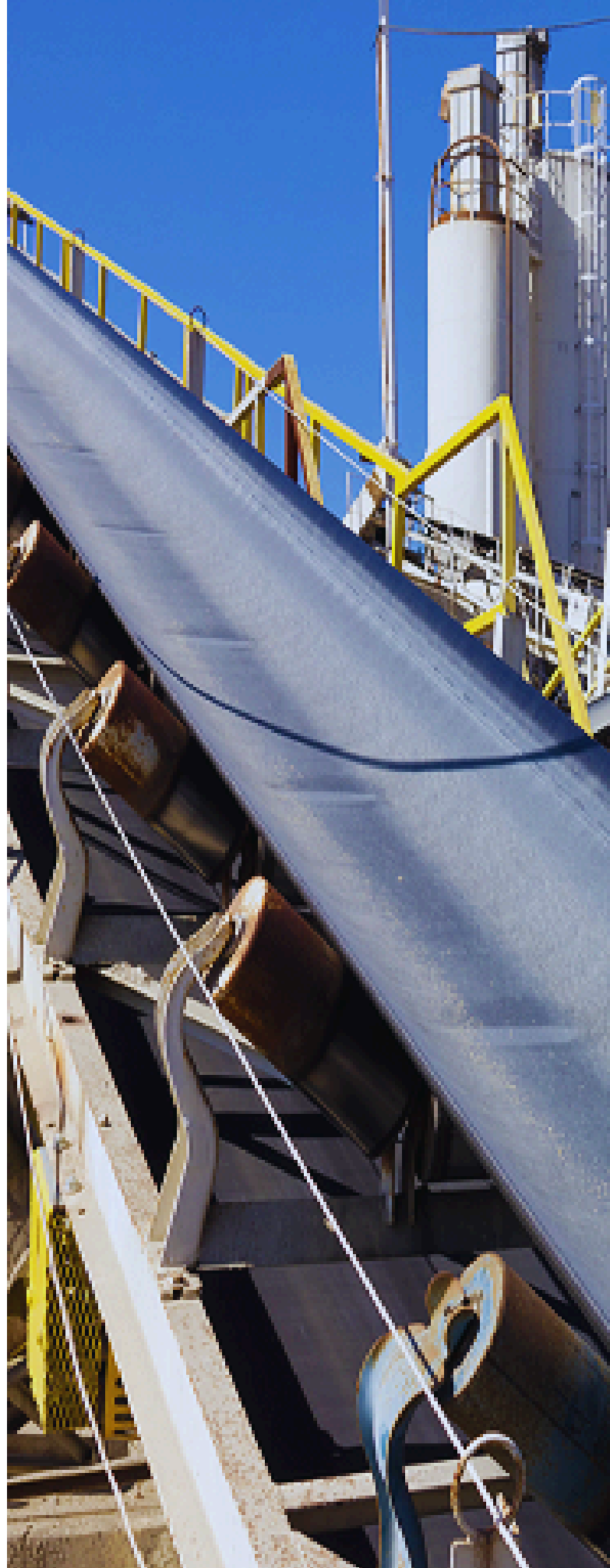
MISSION & VISION

Mission

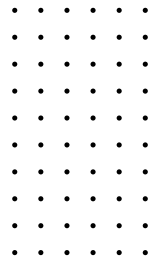
A strong, sturdy and sustainable partnership is the foundation that we will build and hope for, so that it can provide sustainable profits in maintaining business continuity and be able to contribute to economic development both within the company and global society.

Vision

We are dedicated to growing into a leading trading company for machinery and equipment, committed to sustainable development and continuous innovation amidst change



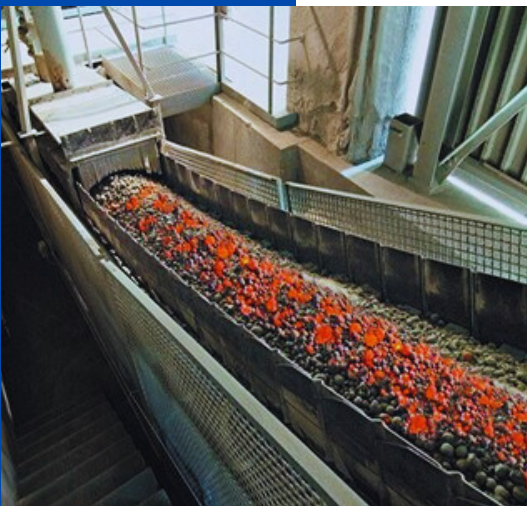
BUSINESS OVERVIEW



Core Values



Partners



KAIFENG PENGZHUO AUTO PARTS CO., LTD.

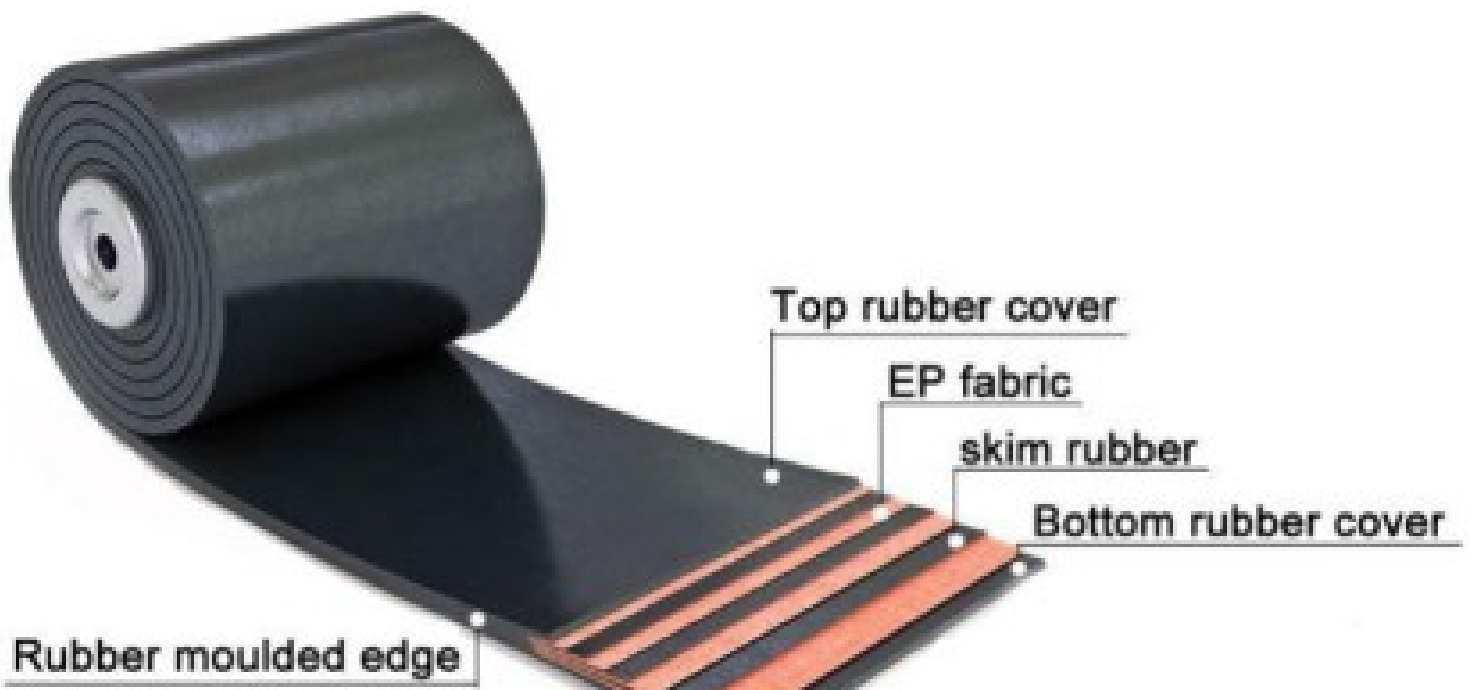
CONVEYOR BELT

For conveying combustible materials such as coal dust, gas, fertilizer, etc., it is very important to choose SINOCONVE refractory conveyor belt. It is mostly used in wood, paper and pulp, sugar and food, recycling and fertilizer plants.

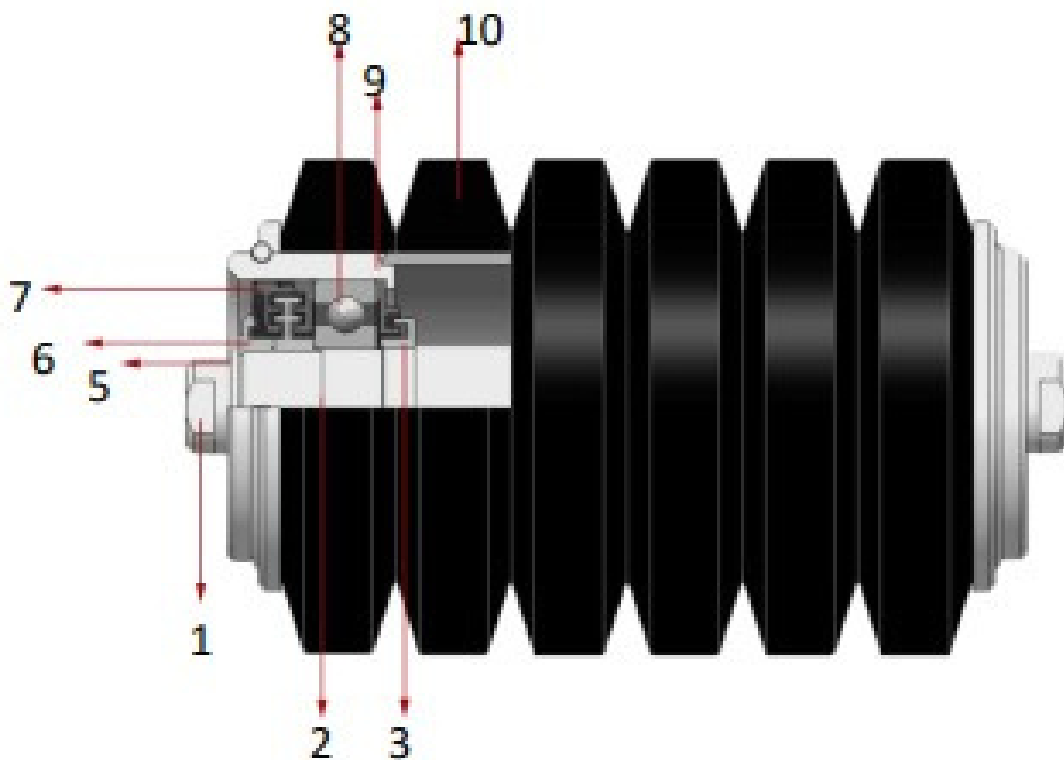
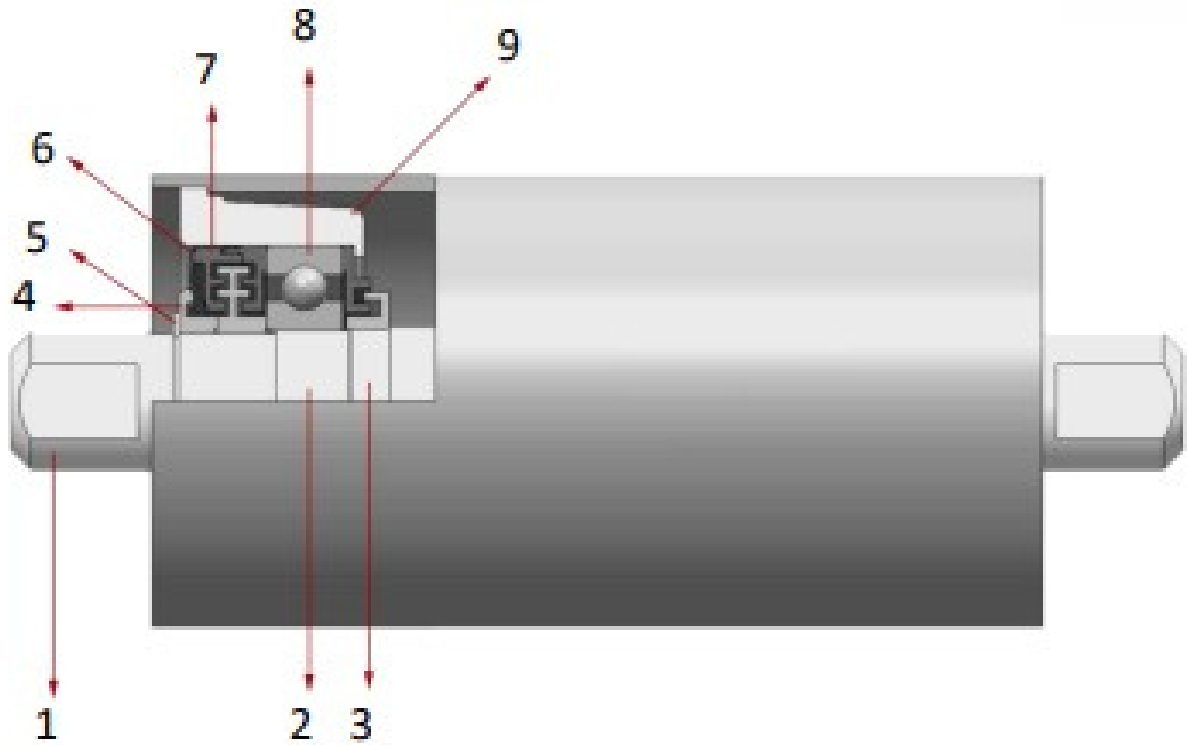


The SINOCONVE standard. It is based on DIN 22131 as well as on European standard EN ISO 15236, type A1. SINOCONVE can supply most existing belt types following different

Please contact us for enquiries about belt types according to the EN types A2, for belts wider than 2400 mm, or other types that differ from sinoconve's standard



CONVEYOR ROLLER

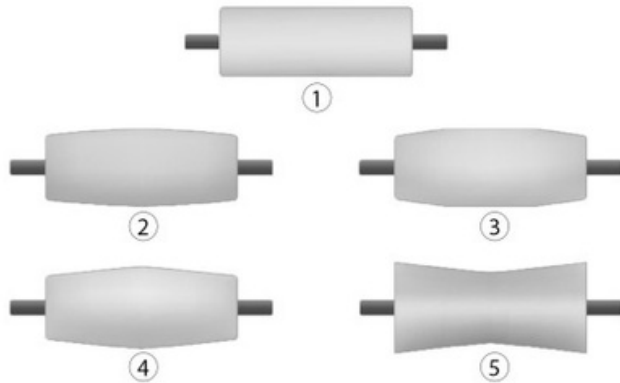
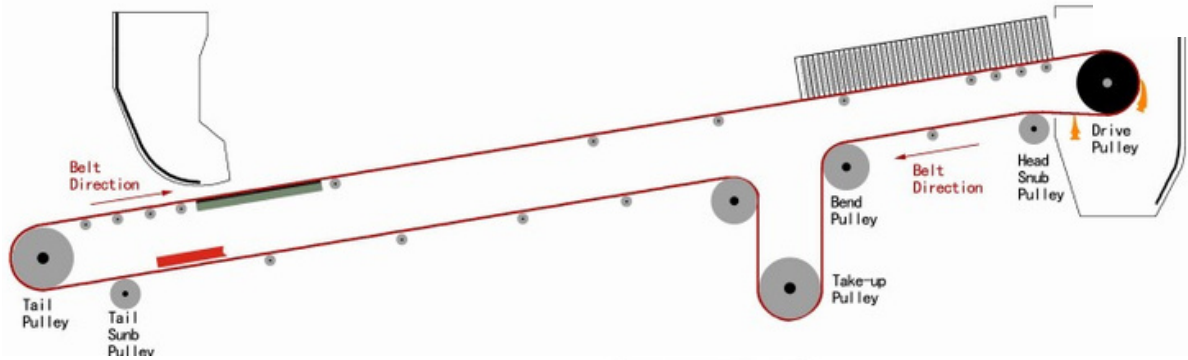


CONVEYOR ROLLER

SINOCONVE roller are designed and manufactured with the national standard, which have the performance of water-proof, dust-proof, minimum rotation resistance and high resistance to vandalism



CONVEYOR PULLEYS



The conveyor pulley shells are one-piece rolled with single seam weld. The fabrication is accurate in concentricity. All of the shells are static balanced and can be dynamic balanced if required. All conveyor pulley shells are seam welded by MIG process. Continuous wire feeds are employed during the welding process, utilizing an inert gas atmosphere, which guarantees the maximum uniformity and resistance of weld.

Lagging options



Smooth

- Snub and bend pulley
- Min. Thickness: 6.3mm



DIAMOND

- Bidirectional
- Min. Thickness: 10mm



CHEVRON

- Drive pulley
- Min. Thickness: 10mm



HERRINGBONE

- Snub and bend pulley
- Min. Thickness: 10mm



CERAMIC

- Pulleys greater than 475 PIW
- Min. Thickness: 16mm



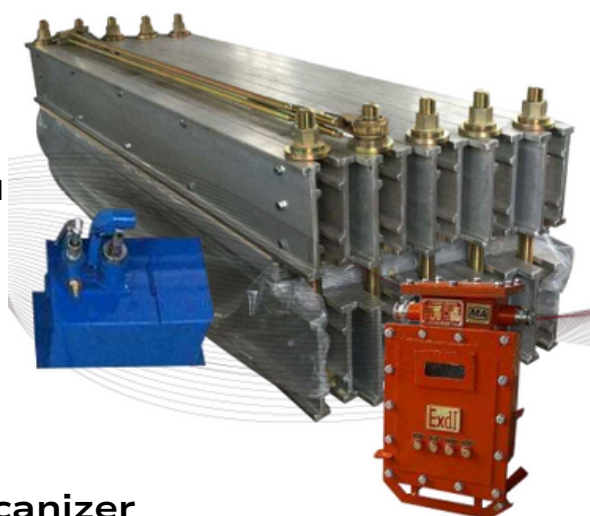
ARROWHEAD CERAMIC

- Pulleys greater than 475 PIW
- Min. Thickness: 16mm

HOT VULCANIZER

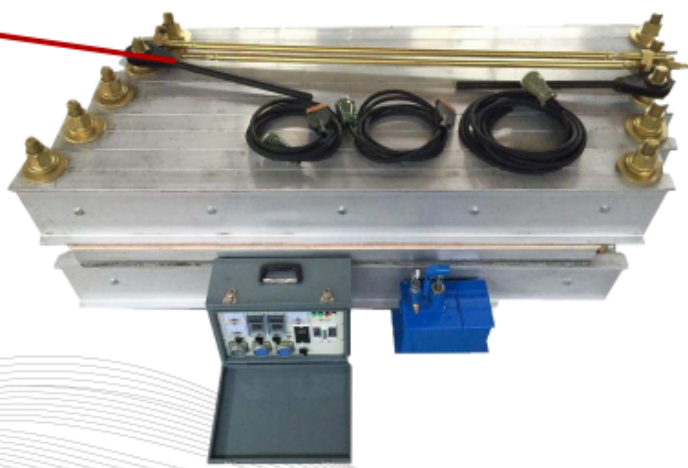
LBD Series Electrothermal Explosion-proof Vulcanizer

LBD electrothermal explosion-proof vulcanizer used for mining is a movable light-type curing machine used for vulcanization gelatinization joint of conveying belt. It has the explosion-proof electrothermal structure and hydraulic pressure plate as the pressure device, which is mainly used for vulcanization gelatinization joint of canvas, nylon, polyester, steel rope core and other belts in coal mine, and power plant, wharf, chemical industry, metallurgy, building materials and other departments with the same explosion-proof grade as Class I places



DRLQ Vulcanizer

It is mainly made of light aluminum alloy, which is characterized by small size, light weight, easy handling, simple and reliable operation. In addition, it has such features as fast temperature rise, uniform temperature and high thermal efficiency. This product is used for joints of the belts used in metallurgy, power plants, ports, chemical industry and metal mines. The adhesive bonding with this product not only makes the joint smooth like one part of the original belt, but also reduces wear of the roller and extends the use life of the conveyor and belt.



BPJ Belt Stripping Machine

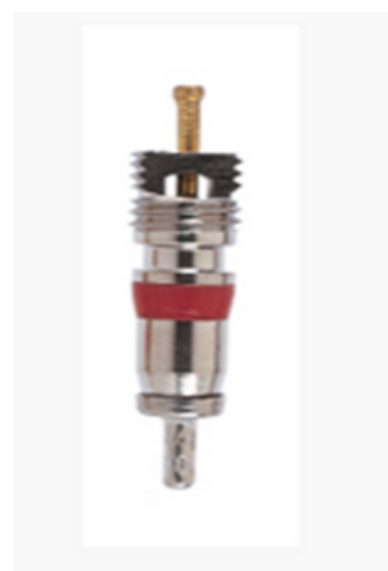
It is a special kind of electric stripping machine used before adhesive bonding of nylon, canvas, steel rope core and other transportation belt. This device can automatically clamp and strip the cover layer off the core layer. It has such advantages as strong traction, large stripping area and fast speed. In addition, as it is easy to operate and safe and reliable in performance, it can greatly reduce the labor intensity of the operator



TIRE CAP VALVES

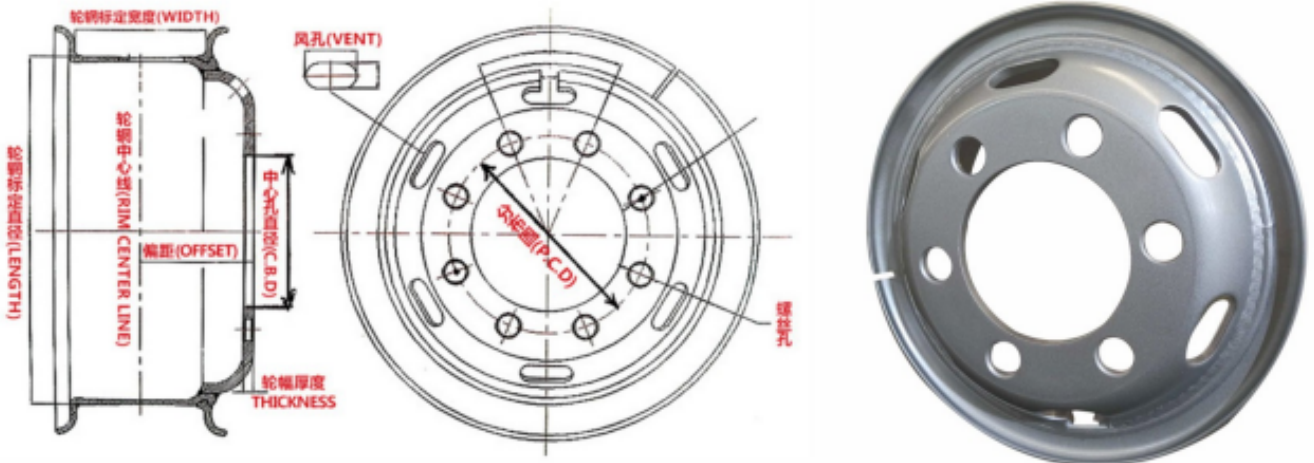


IT NO.	A	B	C	a°	β°
V3.02.1	25,5	41,5	-	120	-
V3.02.2	22,5	43	-	120	-
V3.02.3	33	44,5	-	95	-
V3.02.4	39,5	44,5	-	110	-
V3.02.5	20,5	47,5	-	90	-
V3.02.6	23,5	60,5	-	110	-
V3.02.7	22,5	71,5	-	100	-
V3.02.8	20,5	89,5	-	94	-
V3.02.9	20,5	99,5	-	94	-
V3.02.10	20,5	115	-	94	-
V3.02.11	20	126	-	94	-
V3.02.12	20,5	132	-	94	-
V3.02.13	20,5	133,5	-	90	-
V3.02.14	20,5	138,5	-	94	-
V3.02.15	20,5	145,5	-	94	-
V3.02.16	20,5	149,5	-	90	-
V3.02.17	20,5	156,5	-	90	-
V3.02.18	20,5	74,5	-	90	-
V3.02.19	20,5	60	-	94	-
V3.02.20	22,5	56,5	-	95	-
V3.02.21	20,5	172	-	90	-
V3.02.22	32,5	117,5	-	94	-
V3.02.23	29,5	66,5	-	90	-
V3.02.24	20,5	117	-	90	-
V3.02.25	27	160	-	88	-
V3.02.26	20,5	105	-	94	-
V3.02.27	20	75	-	94	-
V3.02.28	20	127	-	94	-

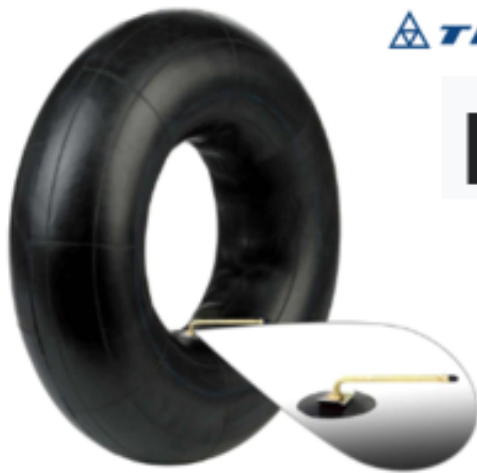




TUBELESS WHEELS



Our company Product mainly include truck & bus wheel, tractor wheel, otr wheel, forklift wheel, agricultural & forestry machinery wheel and aluminium wheel. advance technology and strictly quality control methods, our product include eight series with 200 different type and product has passed SGS and TUV certificate and registered famous brand. good quality and finishing make product popular in and outboard



 **TRIANGLE**

INNER TUBE

14.00R20

Kelebihan Ban Dalam-TRIANGLE :

- ✓ Karet Pada Ban- TRIANGLE Lentur
- ✓ Ban- TRIANGLE Tahan Terhadap Benturan
- ✓ Ban- TRIANGLE Berbahan Baku Padat
- ✓ Sertifikat Resmi SNI

Inner Tube

- Match the corresponding inner tube according to the tire size.
- In case of air leakage of inner tube, it will cause early damage to the outer tube
- Butyl rubber inner tube has excellent temperature resistance and air tightness performance. And High-speed tires should be equipped with butyl rubber inner tubes.
- If the inner tube is required to be stored separately, it should be inflated with an appropriate amount of air, and it should not be laid horizontally or folded. If it is not stored separately, it should not be placed in the outer tube and inflated appropriately.

TUBELESS TIRE & TUBE TIRE



TR691E



Fuel



Mileage

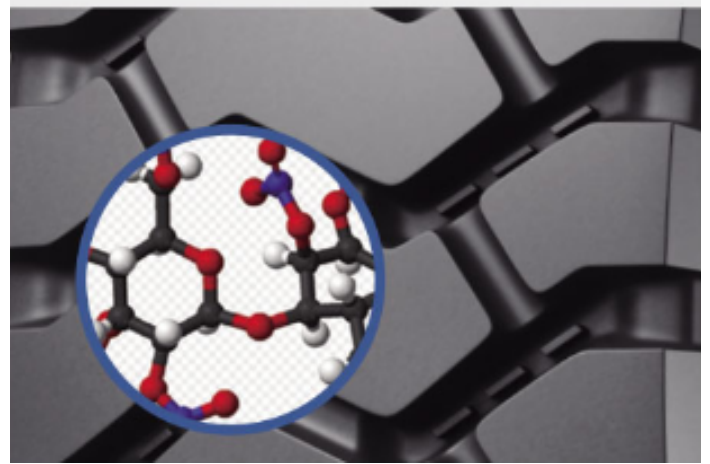


Safety



Wear

Excellent traction and durability



Features

Special tread compound

“~” Shape deep block tread pattern design

Open and wide grooves design with stone ejectors

Benefits

Improved compound for tear & cut resistance under off road condition

Creates big biting edges for traction

Reduced heat accumulation and prevents stone pinching

Long life and good wear

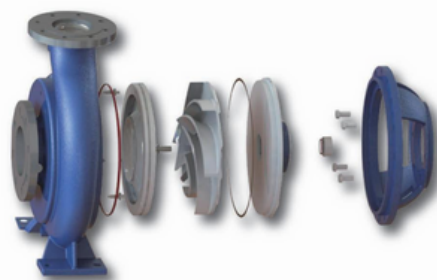
Excellent traction and control

Good mileage and groove bottom cut resistance





OUR PRODUCT



单封
SINGLE MECHANICAL SEAL



双封
DOUBLE MECHANICAL SEAL



动力密封
DYNAMIC SEAL



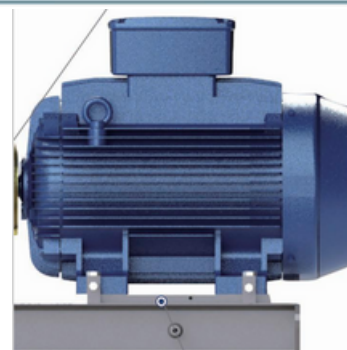
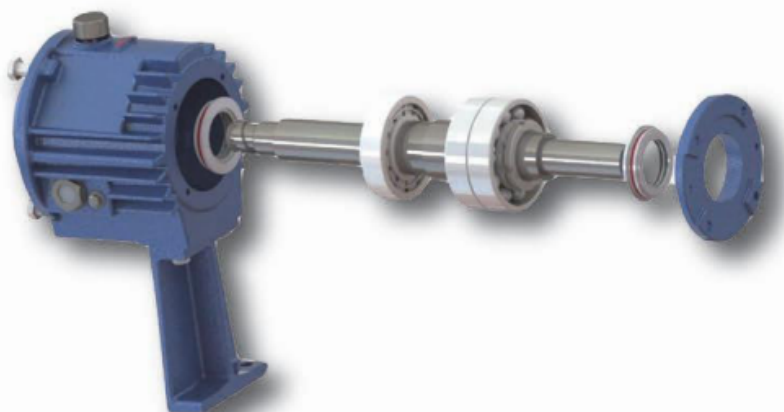
填料密封
GLAND PACKING SEAL

PUMP MATERIALS 泵材质表

Stainless Steel Design		Nominal Chemical Composition %					
		C _{max}	Cr	Ni	Mo	Cu	N
Duplex Stainless Steel	ASTM A890 Grade 3A	0.06	24.0-27.0	4.0-6.0	1.75-2.50	-	0.15-0.25
	ASTM A890 Grade 5A	0.03	24.0-26.0	6.0-8.0	4.0-5.0	-	0.10-0.30
	ASTM A890 Grade 1A	0.04	24.5-26.5	4.75-6.00	1.75-2.25	2.75-3.25	-
Austenitic Stainless Steel	ASTM A743 CF-8	0.08	18.0-21.0	8.0-11.0	-	-	-
	ASTM A743 CF-8M	0.08	18.0-21.0	9.0-11.0	2.0-3.0	-	-
Other design		C _{max}	Cr	Ni	Mo	Cu	N
Nickel Alloy	A494CW-6M	0.07	17.0-20.0	-	17.0-20.0	-	-
Cast Iron Design		C _{max}	Cr	Ni	Mo	Cu	Si
Cast Iron	A532 IIIA	2.0-3.3	23.0-30.0	2.5	3.0	1.2	1.5
Chromium Iron	ASTM A48 CL 35B	3.1-3.4	-	-	-	0.5-1.0	1.5-2.1
Material for other parts							
Gasket material	PTFE	Used in temperature range-190...+240°C and pH 0-14					
O-ring material	FKM	Used in temperature range-20...+250°C					
	EPDM	Used in temperature range-50...+50°C					

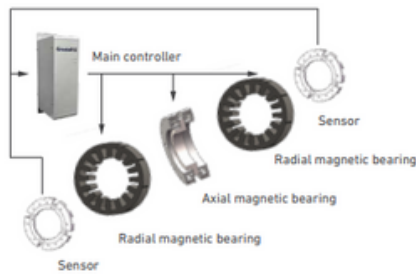
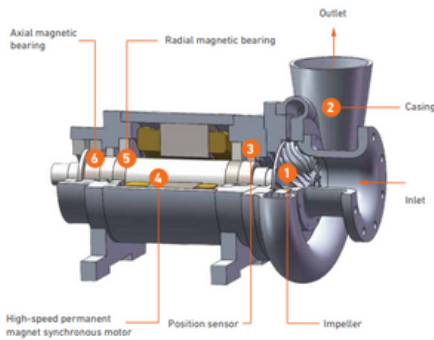
SUPERIOR DESIGN 设计标准

Design and manufacturing According to standards	
Design:	ISO5199
Dimensions:	ISO2858
Flange drillings:	ISO7005-1 PN10, PN16(steel) ISO7005-2 PN10, PN16(castiron) ANSI B16.1 class 125 ASME B16.5 class 150 JIS B2210 10K JIS B2210 16K ISO7005-1 PN25 JIS B2210 30K ASME B16.5 class 300
Painting:	EN ISO12944
Noise emission:	ISO4871 Machinery directive 89/392/EEC
Balancing:	ISO1940 6.3 ISO1940 2.5 Lowpulse
Testing:	ISO9906 Grade 2



MAGLEV TURBO VACUUM PUMP

MECHANICAL STRUCTURE



PRODUCT ADVANTAGES

- Active magnetic bearing system, no abrasion, no need for lubrication and maintenance.
- Efficiency of permanent magnet high-speed synchronous motor up to 98%.
- Direct drive eliminates need of gear box and lubrication system.
- High-performance frequency converter automatically adjusts motor rotate speed, multiple control modes are available.
- Intelligent control system monitors the operating status of the vacuum pump in real time, integrated anti-surge system ensures safe and stable operation.
- Optional air-cooled or water-cooled design.
- Multiple observation windows and inspection windows facilitate daily maintenance and impeller cleaning.
- Dual protection system of UPS and mechanical protection bearings to ensure safe operation.
- Three-stage gas-water separator to effectively protect the operational reliability of the impeller. •The separator is equipped with two filtrate pumps as standard, one work and one standby for higher reliability. •Integrated and compact design, small footprint, less space consumption, and convenient and quick maintenance.
- Compared with water ring vacuum pump, efficiency of maglev turbo vacuum pump 30~60% higher.

	Type	Qty	Installed capacity	Operating power consumption
Before reformation	Water ring vacuum pump	6	390kW	315.8kW
After reformation	Water ring vacuum pump	1	280kW	172.4kW
			↓ 110kW	↓ 143.4kW

POWER SAVING RATE 45.41%



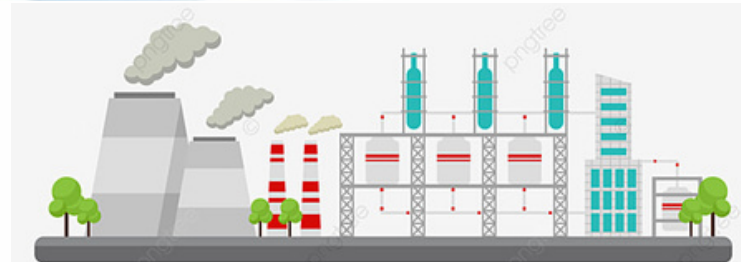
Distribution Channel



• Cement Industry



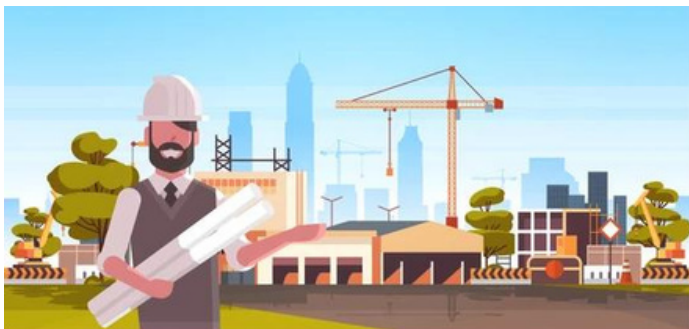
• Mining Industry



• Chemical Industry



• Pulp & Paper Industry



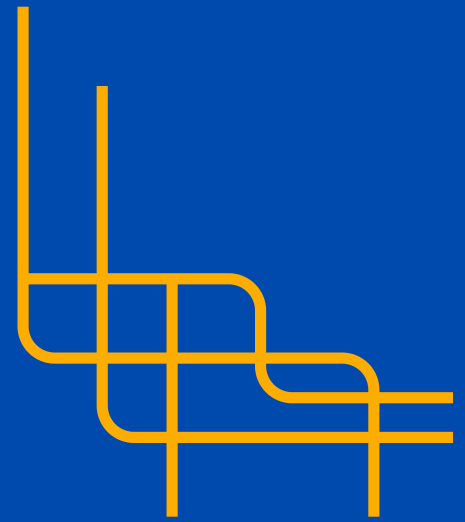
• Contractor Industry



• Sugar Mills



• Food and Beverage Industry



PT. GLOBAL SINDO PERKASA

Ruko Taman Palem Lestari Blok D10 NO.27
Cengkareng Barat, Cengkareng, kota
Administrasi Jakarta Barat, 11730 DKI
Jakarta - INDONESIA

Mobile

+62 812-8778-6884

Email

gsp.sales@global-sindo.com