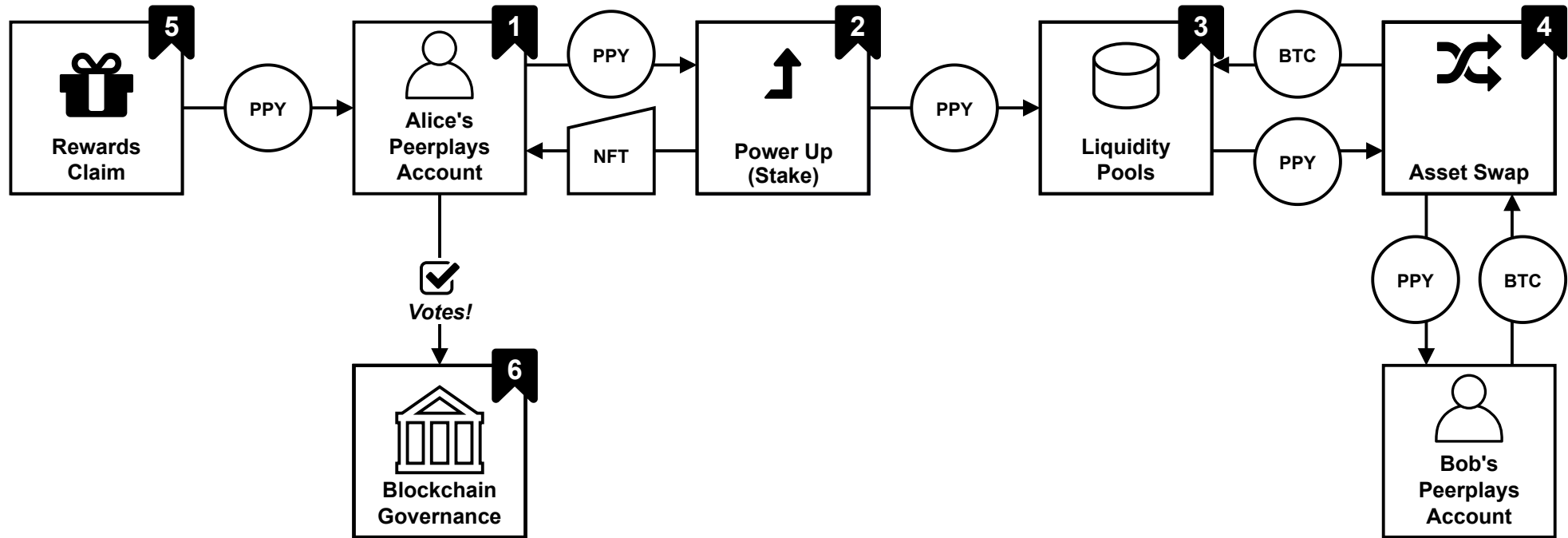


Liquidity Pools (LPs)



Peerplays Chain

LP Flow Example

- 1** Alice Powers Up her PPY. She gets a stake NFT in return. Over time, this NFT generates voting power and rewards.
- 2** The PPY is sent to a Peerplays network controlled account which holds all the staked PPY. It's the PPY Pool.
- 3** The PPY in the pool supplies the liquidity for asset swapping. Pools exist for any asset that has been staked. More staking means more liquidity.
- 4** Assets can be instantly swapped due to the liquidity supply in the liquidity pools. Here, Bob decides to swap his BTC for some PPY.
- 5** When swaps are completed and have involved PPY, the transaction fees are collected as rewards for anyone who staked PPY. Alice claims some of her accrued rewards.
- 6** Alice can also vote in the blockchain governance. Voting power also accrues over time on stake NFTs.