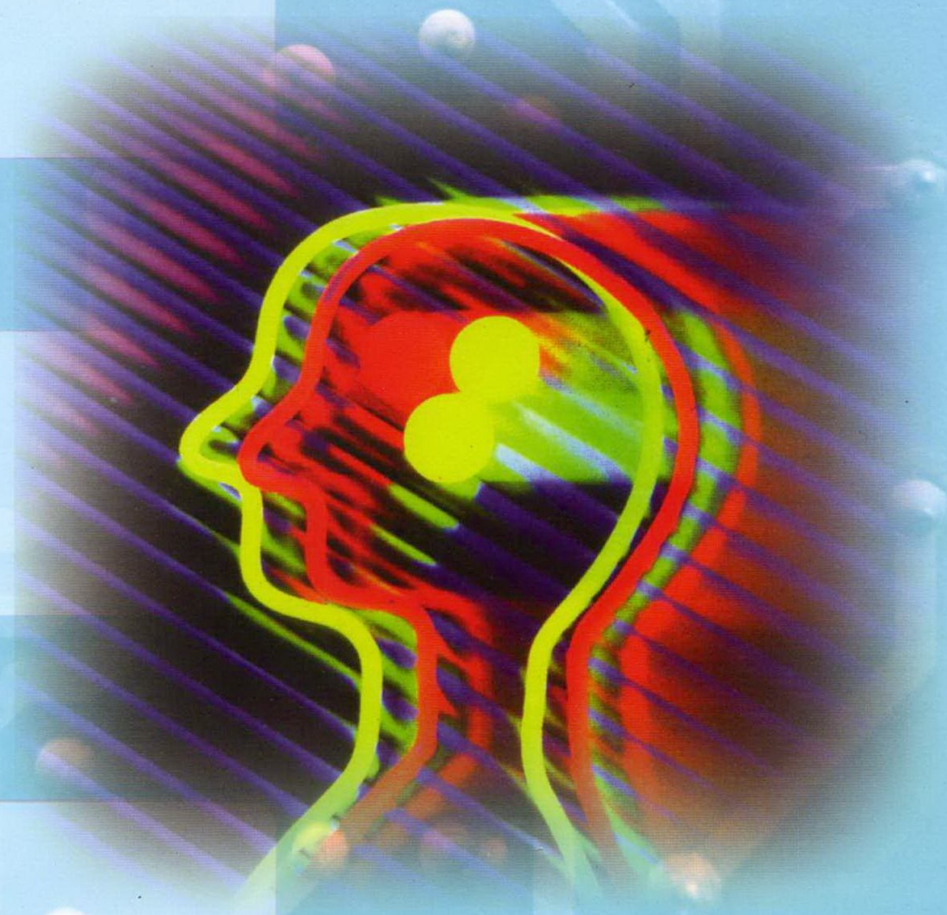


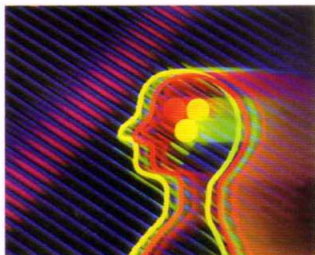
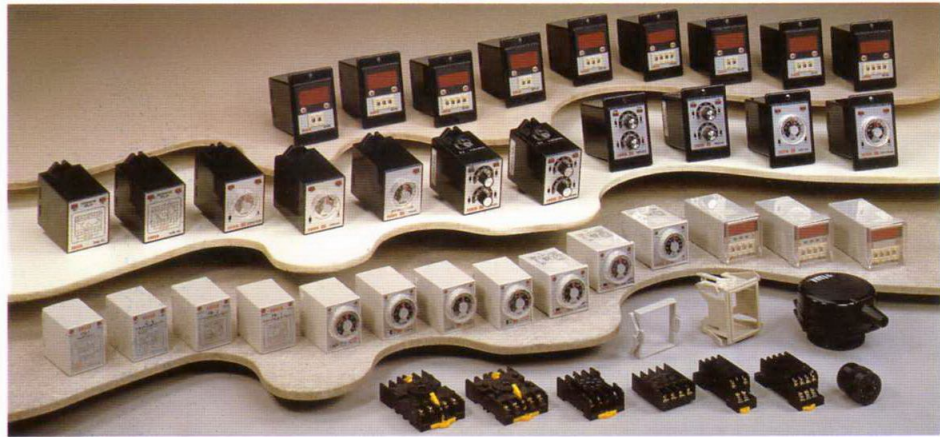
FOTEK

TIMER



陽明電機股份有限公司
自動化控制器材專業製造廠

FOTEK CONTROLS



陽明電機股份有限公司 FOTEK CONTROLS CO.,LTD.

成立1985年

Established 1985

主要產品

Main product

- | | |
|----------|--------------------------|
| ● 計時器 | ● Timer |
| ● 計數器 | ● Counter |
| ● 轉速表 | ● Tachometer |
| ● 線速表 | ● Line Speed Meter |
| ● 電壓表 | ● Voltage Meter |
| ● 電流表 | ● Current Meter |
| ● 光電開關 | ● Photo Sensor |
| ● 近接開關 | ● Proximity Sensor |
| ● 磁簧開關 | ● Reed Sensor |
| ● 固態繼電器 | ● Solid State Relay |
| ● 溫度控制器 | ● Temperature Controller |
| ● 液位控制器 | ● Floatless Level Relay |
| ● 欠逆相保護器 | ● Phase Relay |
| ● 馬達起動器 | ● Y-△ Starter |

經營理念：

- 追求永續經營
- 客戶是永遠的朋友
- 堅持品質、追求至善
- 不斷研發生產
物超所值的產品
- 責任、務實、創新、
邁向未來

Index

H3 Series	POWER ON DELAY TIMER/FLICKER/Y-△ STARTER-----	1
H2Y/H3Y Series	PANEL TYPE POWER ON DELAY TIMER -----	2
H5B Series	DIN 48x48 POWER ON DELAY TIMER/FLICKER-----	3
TM-48 Series	DIN 48x48 FREE POWER ON DELAY TIMER/FLICKER ---	4
STP Series	MULTI-RANGE POWER ON DELAY TIMER/FLICKER ----	5
TDV & TDF Series	TWIN TIMER & DEFROSTING TIMER -----	6
MY Series	MINI TYPE POWER ON DELAY TIMER -----	7
SY/H5T Series	DIGITAL POWER ON DELAY TIMER -----	8
STP-□D/H5M Series	MULTI-FUNCTION DIGITAL TIMER -----	9~10
SK Series	POWER ON RESET DIGITAL COUNTER -----	11
SC Series	PRESET DIGITAL COUNTER -----	12
H5C Series	DIN 48x48 PRESET DIGITAL COUNTER-----	13
TF Series	OFF DELAY TIMER -----	14
G4Q Series	EXCHANGE RELAY -----	15
C Series	SENSOR CONTROLLER -----	16
FR Series	FLOATLESS LEVEL RELAY -----	17
PR/PVR Series	PHASE RELAY/PHASE & VOLTAGE RELAY -----	18
SOCKET & ATTACHMENT	-----	19~20

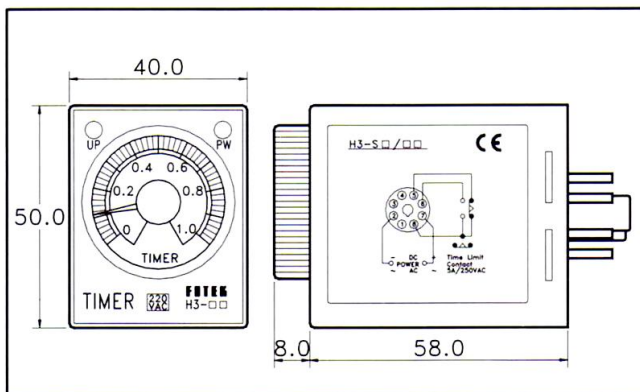
H3 series ON DELAY TIMER/FLICKER/Y- Δ STARTER

Type	Multi-Range ON Delay Timer	Single-Range ON Delay Timer	Multi-Range Flicker	Y- Δ Starter
Model	H3-M□	H3-□□	H3-FK-M3	H3-TRD-30S
Figure				
Range	M1:1S/10S/1M/10M M3:3S/30S/3M/30M M6:6S/60S/6M/60M M1H:1M/10M/1H/10H M3H:3M/30M/3H/30H M6H:6M/60M/6H/60H	1S/3S/6S/10S 30S/60S/3M/6M 10M/30M/60M 3H/6H/10H/100H	3S/30S/3M/30M	30S Change Time:0.2S 0.1~0.5S is Available ON Demanded
Weight	155g	155g	140g	105g

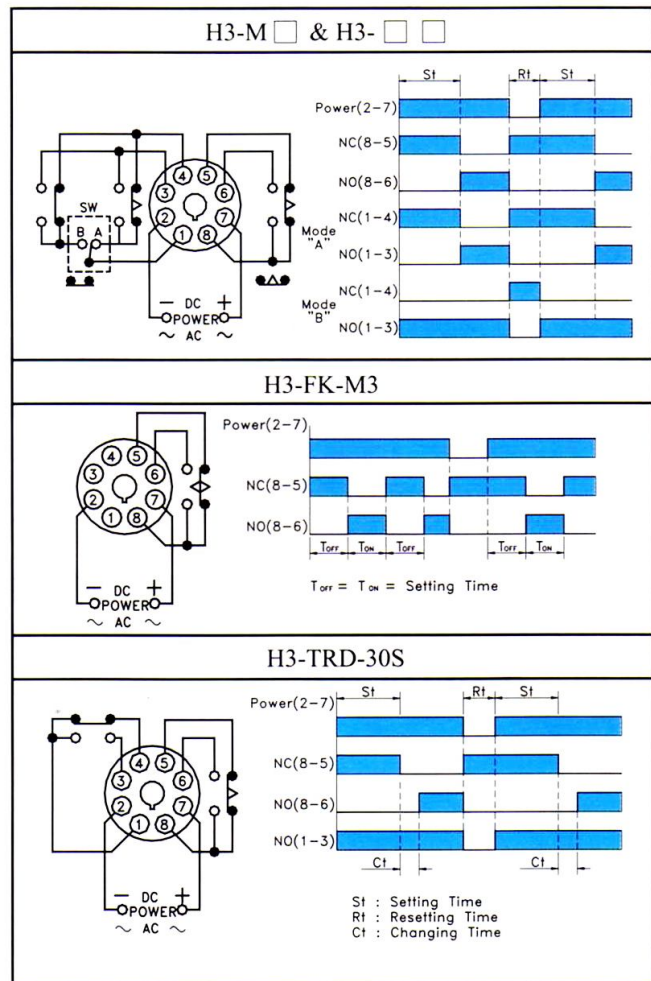
Specification

Power Supply	12 or 24 VAC/DC or 110V or 230V or 380VAC 50/60Hz
Wattage Consump.	3VA max.
Control Output	Relay
Contact Rated	10A
Repetivity	0.2% of F.S max.
Setting Accuracy	5% of F.S max.
Reset Time	0.1S max.
Insulation Strength	100M Ω /500VDC
Dielectric Strength	2.5KV/1 min.
Circumstance	-20 $^{\circ}$ ~ +60 $^{\circ}$ C , 35~85%RH
Life of Relay	20 X 10 ⁶ Times

Dimension





Connection & Timing Diagram



Panel Type POWER ON DELAY TIMER

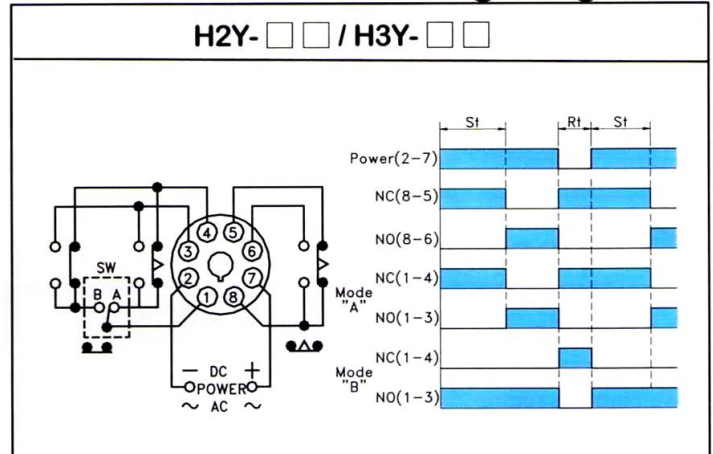
CE H2Y/H3Y
series

Outline	STPY	H3
Model	H2Y-□□	H3Y-□□
Figure		
Range	1S, 3S, 6S, 10S, 30S, 60S, 3M, 6M, 10M, 30M, 60M, 3H, 10H, 30H, 60H	
Wight	165g	160g

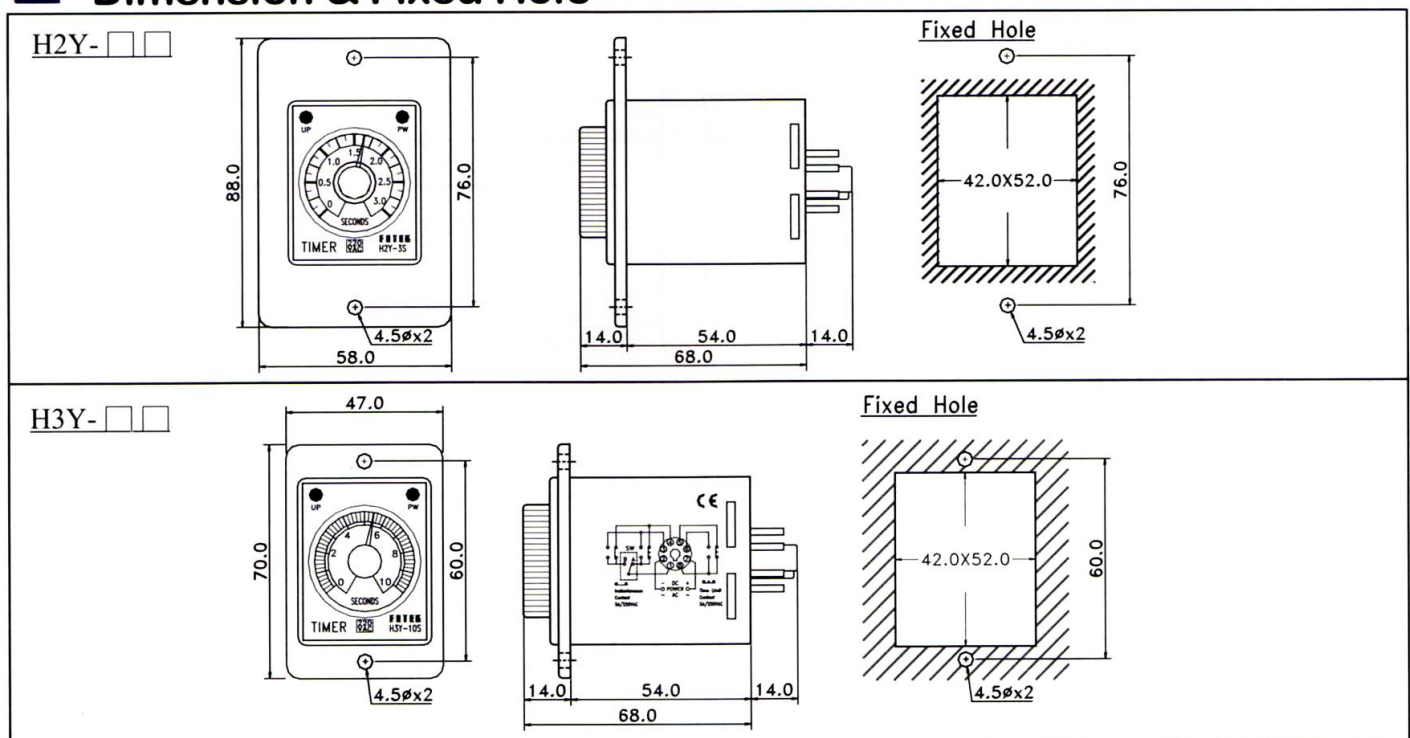
Specification

Power Supply	12 or 24 VAC/DC or 230V or 380 VAC 50/60Hz
Wattage Consump.	3VA max
Control Output	Relay
Contact Rated	10A
Repetivity	0.2% of F.S max.
Setting Accuracy	5% of F.S max.
Reset Time	0.1S max.
Insulation Strength	100M Ω /500VDC
Dielectric Strength	2.5KV/1 min.
Circumstance	-20 $^{\circ}$ ~+60 $^{\circ}$ C, 35~85%RH
Life of Relay	20 X 10 ⁶ Times

Connection & Timing Diagram



Dimension & Fixed Hole

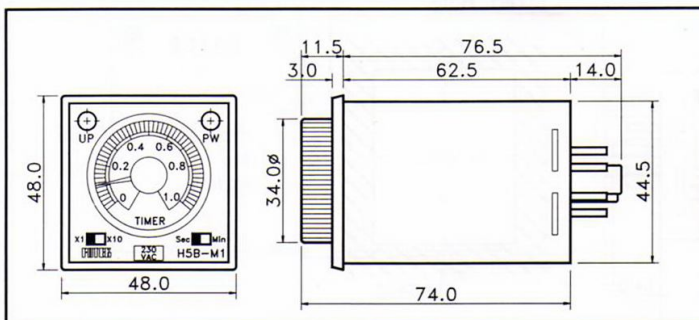


Type	Multi-Range ON Delay Timer	Multi-Range Flicker
Model	H5B-M <input type="checkbox"/>	H5B-FK-M3
Figure		
Range	M1 : 1S/10S/1M/10M M3 : 3S/30S/3M/30M M6 : 6S/60S/6M/60M M1H : 1M/10M/1H/10H M3H : 3M/30M/3H/30H M6H : 6M/60M/6H/60H	3S/30S/3M/30M
Weight	160g	150g

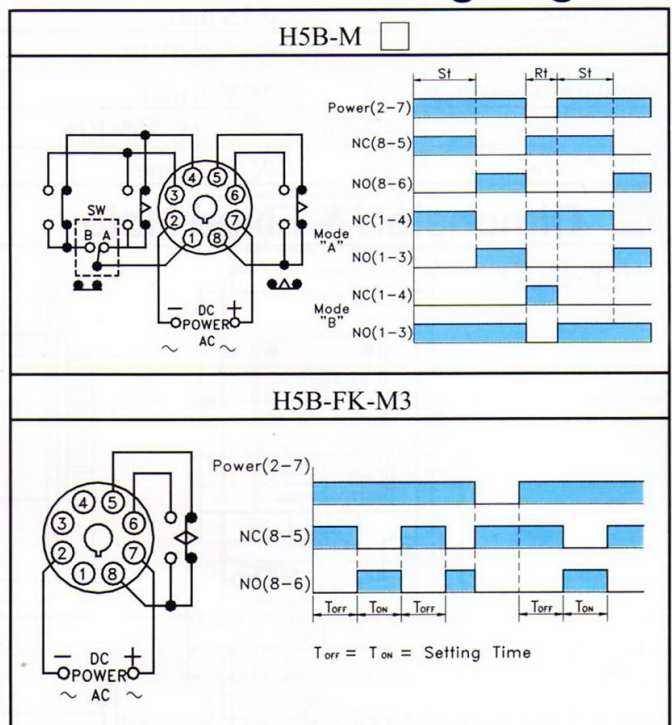
Specification

Power Supply	12 or 24 VAC/DC or 110V or 230V or 380VAC 50/60Hz
Wattage Consump.	3VA max.
Control Output	Relay
Contact Rated	10A
Repetivity	0.2% of F.S max.
Setting Accuracy	5% of F.S max.
Reset Time	0.1S max.
Insulation Strength	100M Ω /500VDC
Dielectric Strength	2.5KV/1 min.
Circumstance	-20° ~ +60 °C , 35~85%RH
Life of Relay	20X 10 ⁶ Times

Dimension



Connection & Timing Diagram



DIN 48X48 FREE POWER ON DELAY TIMER/FLICKER



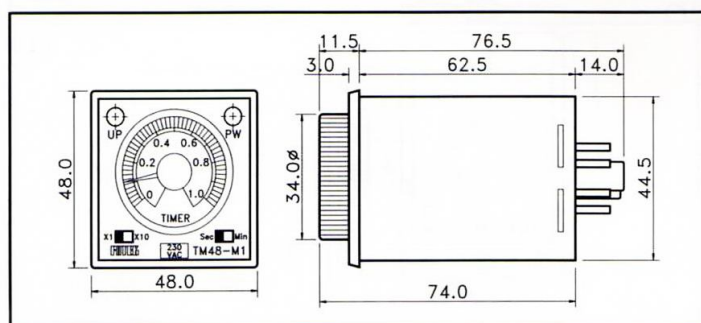
TM48 series

Type	Multi-Range ON Delay Timer	Multi-Range Flicker
Model	TM48-M <input type="checkbox"/>	TM48-FK-M3
Figure		
Range	M1 : 1S/10S/1M/10M M3 : 3S/30S/3M/30M M6 : 6S/60S/6M/60M M1H : 1M/10M/1H/10H M3H : 3M/30M/3H/30H M6H : 6M/60M/6H/60H	3S/30S/3M/30M
Weight	145g	135g

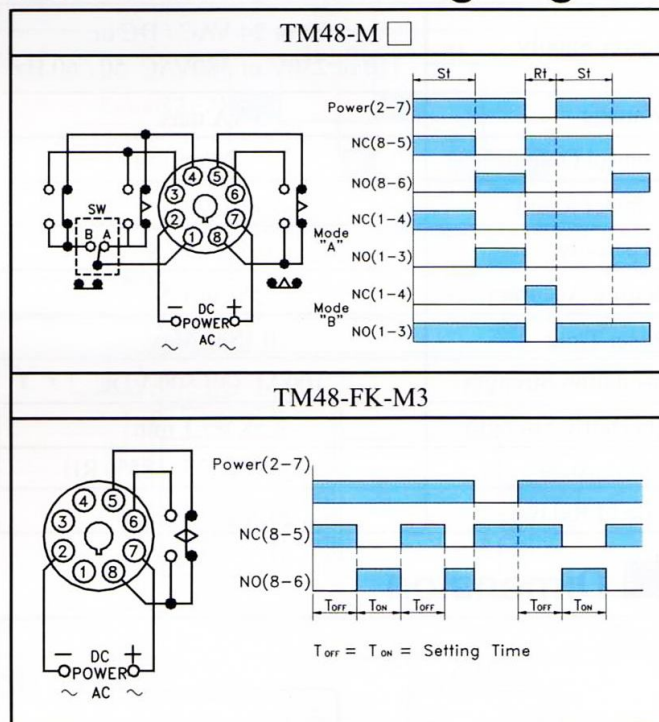
Specification

Power Supply	24 ~ 250 VAC/DC 50/60Hz
Wattage Consump.	3VA max.
Control Output	Relay
Contact Rated	10A
Repetivity	0.2% of F.S max.
Setting Accuracy	5% of F.S max.
Reset Time	0.1S max.
Insulation Strength	100M Ω /500VDC
Dielectric Strength	2.5KV/1 min.
Circumstance	-20° ~ +60 °C , 35~85%RH
Life of Relay	20 X 10 ⁶ Times

Dimension



Connection & Timing Diagram

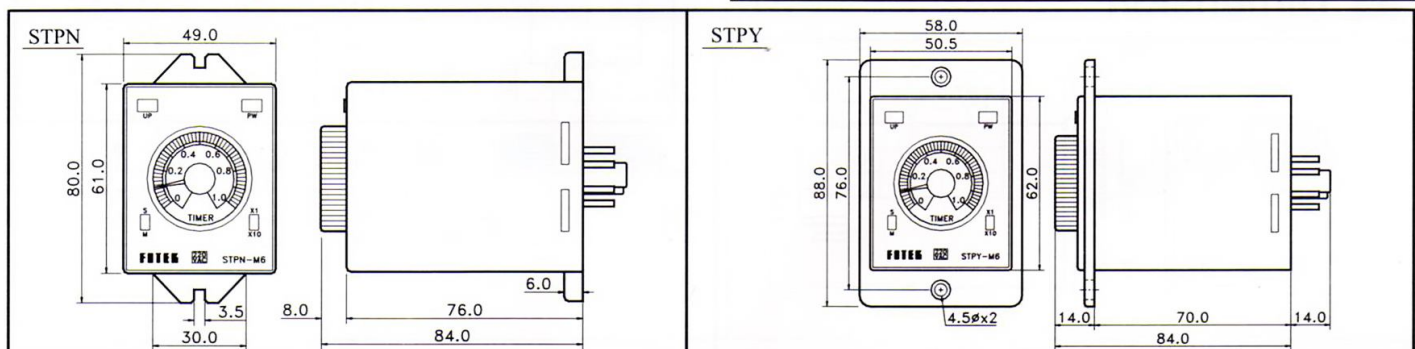


Type	Multi-Range ON Delay Timer		Multi-Range Flicker	
Model	STPN-M <input type="checkbox"/>	STPY-M <input type="checkbox"/>	STPN-FK-M3	STPY-FK-M3
Figure				
Range	M1 : 1S / 10S / 1M / 10M M3 : 3S / 30S / 3M / 30M M6 : 6S / 60S / 6M / 60M M1H : 1M / 10M / 1H / 10H M3H : 3M / 30M / 3H / 30H M6H : 6M / 60M / 6H / 60H		3S/30S/3M/30M	
Weight	190g	195g	185g	190g

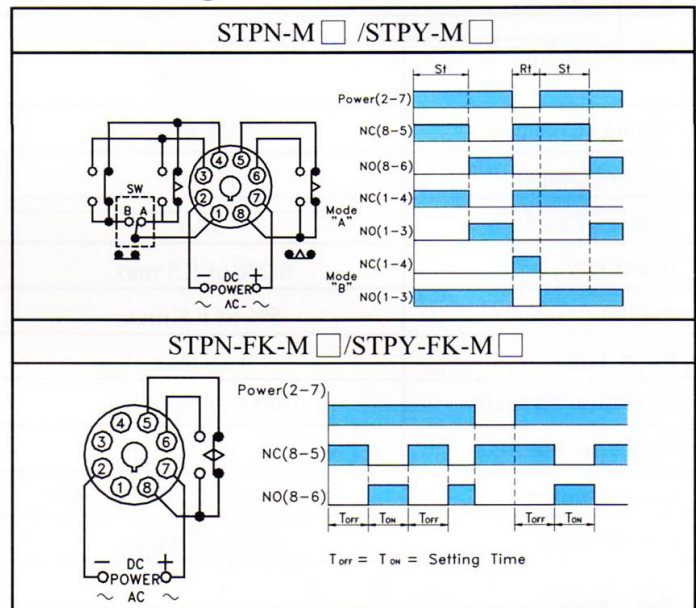
Specification

Power Supply	12 or 24 VAC / DC or 110 or 230V or 380VAC 50 / 60 Hz
Wattage	3 VA max.
Control Output	Relay
Contact Rated	10A
Repetivity	0.5% of F.S
Setting Accuracy	5% of F.S
Reset Time	0.1Sec Max.
Insulation Strength	100 M Ω / 500 VDC
Dielectric Strength	2.5KV / 1 min
Circumstance	-20° ~ +60°C, 35 ~ 85% RH
Life of Relay	20 X 10 ⁶ Times

Dimension



Timing Chart





TWIN TIMER & DEFROSTING TIMER

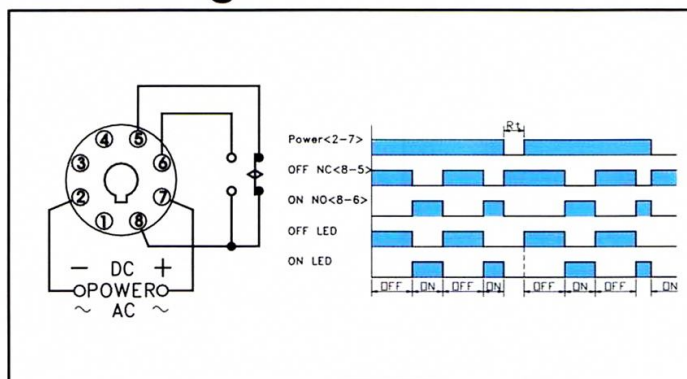
TDV & TDF series

Type	Multi-Range Twin Timer		Multi-Range Defrosting Timer	
Model	TDVN-M <input type="checkbox"/>	TDVY-M <input type="checkbox"/>	TDFN-12H	TDFY-12H
Figure				
Range	M3 = 3S/30S/3M/30M M6 = 6S/60S/6M/60M M3H = 3M/30M/3H/30H M6H = 6M/60M/6H/60H		Cooling : 12H Defrosting : 30M	
Weight	190g	195g	190g	195g

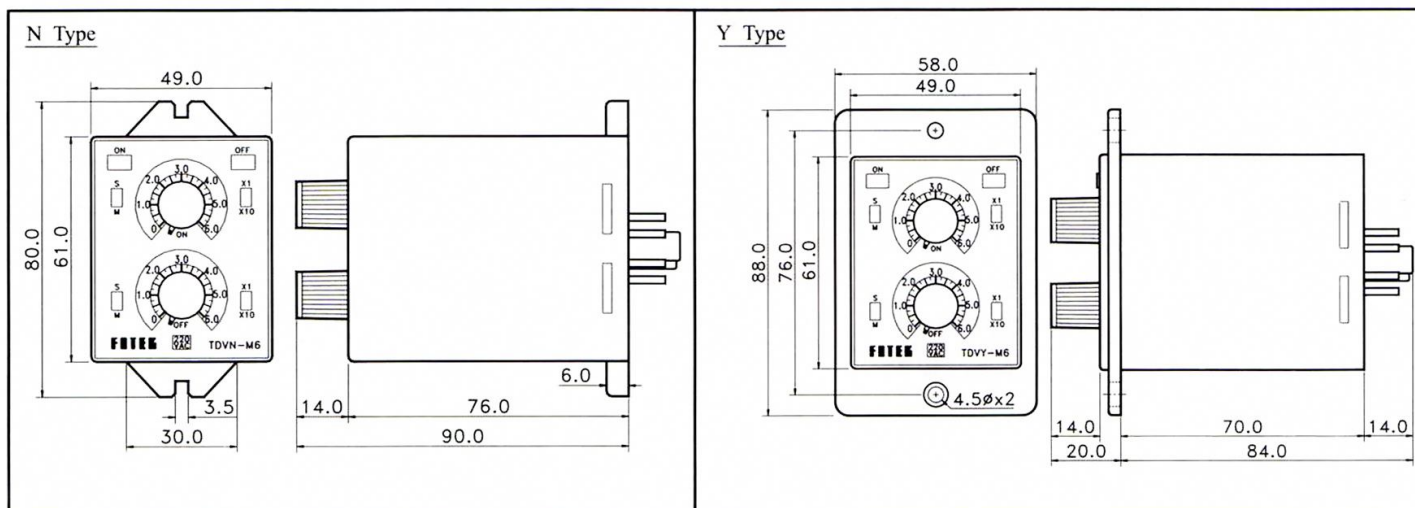
Specification

Power Supply	12 or 24 VAC/DC 110V or 230V or 380VAC 50/60Hz
Wattage	3VA max.
Control Output	Relay
Contact Rated	10A
Repetivity	0.5% of F.S
Setting Accuracy	5% of F.S
Reset Time	0.1 Sec Max.
Insulation Strength	100M Ω /500VDC
Dielectric Strength	2.5KV/1 min.
Circumstance	-20° ~+60 °C , 35~85%RH
Life of Relay	20 X 10 ⁶ Times

Timing Chart



Dimension



- ☆High Repetivity : 0.2% of F.S. Max.
- ☆Reset Time : 0.1S Max.
- ☆Setting Accuracy : 5 % of F.S. Max.
- ☆CE Approved : EMC , ESD & LVD
- ☆Guiding of Model :

MY - 10S - 2P - 220V

① ② ③ ④

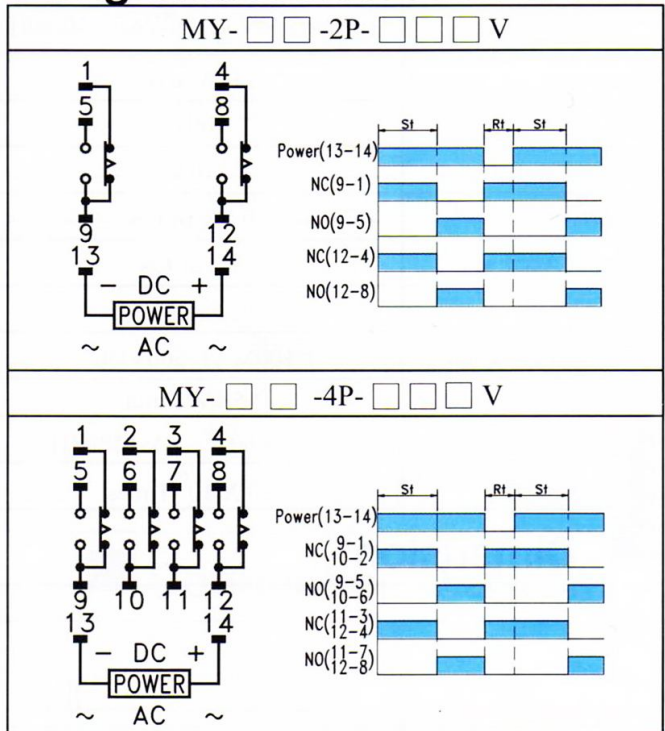
- ① : Series
- ② : Range
- ③ : Contact Poles
- ④ : Operating Voltage



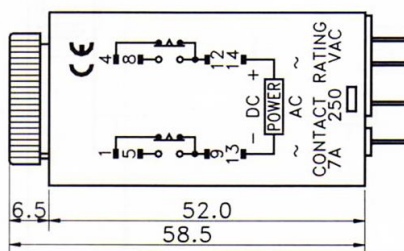
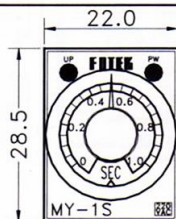
Specification

MODEL	MY-□□-□P-□□□V
Range	1S/3S/6S/10S/30S 60S/3M/6M/10M/30M 60M/3H/6H/10H/30H
Power Supply	12 or 24 VDC 110V or 220VAC 50/60Hz
Wattage Consump.	3VA max.
Control Output	Relay
Contact Rated	7A/250VAC
Repetivity	0.2% of F.S max.
Setting Accuracy	5% of F.S max.
Reset Time	0.1S max.
Insulation Strength	100MΩ/500VDC
Dielectric Strength	2.5KV/1 min.
Circumstance	-20~+60°C, 35~85%RH
Life of Relay	20 X 10 ⁶ Times

Wiring Chart Connection & Timing




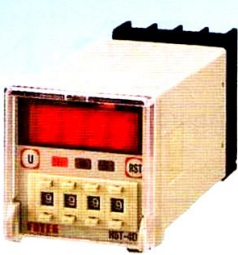


Dimension



DIGITAL POWER ON DELAY TIMER

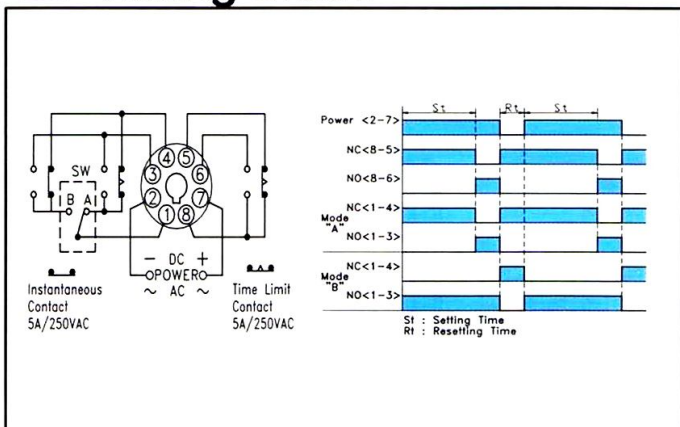
SY/H5T series

Outline	50 x 60			48 x 48
Model	SY-2D	SY-3D	SY-4D	H5T-4D
Figure				
Range	0~99	0~999	0~9999	0~9999
Display	0.56" Red LED	0.56" Red LED	0.4" Red LED	0.36" Red LED
Weight	145g	150g	155g	160g
Unit	S, 0.1S, 0.01S, M, 0.1M, H or 0.1H Selectable			

Specification

Power Supply	12V or 24VDC/AC or 90~250 VAC 50/60 Hz
Wattage	5VA max.
Control Output	A Two Limit Contact
	B Limit & Instantaneous
Output Method	Relay 10A
Control Method	Power ON Delay
Timing Method	UP or Down Selectable
Repetivity	0.1% of F.S
Setting Accuracy	0.05% of F.S
Reset Time	0.1S max.
Reset Method	Power OFF Reset
Insulation Strength	100 M Ω / 500 VDC
Dielectric Strength	2.5KV / 1 min
Circumstance	-20° ~ +60°C, 35 ~ 85% RH
Life of Relay	20 X 10 ⁶ Times

Timing Chart



Illumination

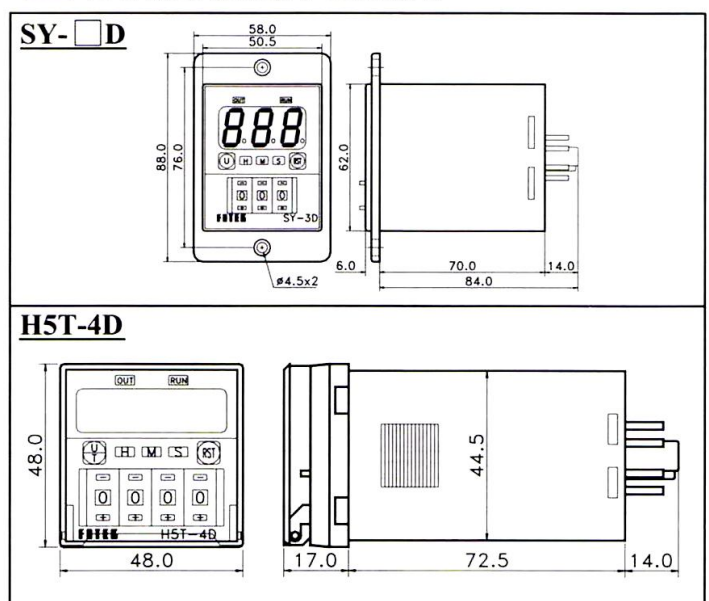
Unit : S → 0.1S → 0.01S → M → 0.1M → H → 0.1H

< Push Key  To Select The Unit >

Slide Switch





LK : To Lock Unit Selecting N : Up Timer
UL : To Unlock Unit Selecting R : Down Timer
A : Time Limit Contact
B : Instantaneous Contact

Dimension Chart



STP-□D/H5M series

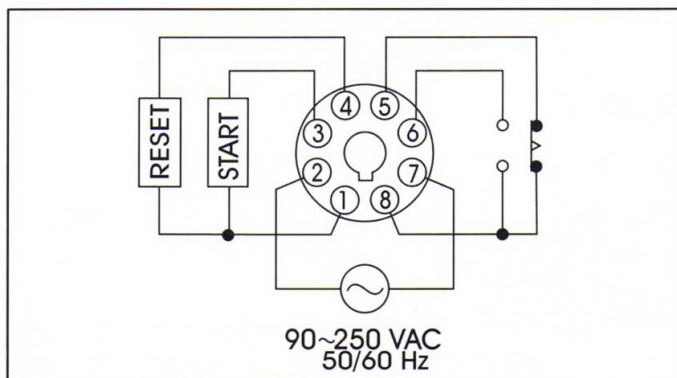
MULTI-FUNCTION DIGITAL TIMER

Outline	50 x 60			48 x 48
Model	STP-2D	STP-3D	STP-4D	H5M-4D
Figure				
Range	0~99	0~999	0~9999	
Display	0.56" Red LED	0.56" Red LED	0.4" Red LED	0.36" Red LED
Weight	150g	155g	160g	155g
Unit	S→0.1S→0.01S→M→0.1M→H→0.1H			Selectable

Specification

Power Supply	90~250 VAC 50/60 Hz
Wattage	5VA max.
Memory Method	EEPROM.
Timing Method	UP or Down Selecting
Time Input	Hi > 6V, Lo < 2V
Reset Input	Hi > 6V, Lo < 2V
Output Method	Relay, 10A
Output Control	N / R Selectable
Control Method	10 mode
DC Output	60 mA / 12 VDC
Delay Timer<t>	0.1~9.9 S
Insulation Strength	100 MΩ / 500 VDC
Dielectric Strength	2.5KV / 1 min.
Circumstance	-20° ~ +60°C, 35 ~ 85% RH
Life	20 X 10 ⁶ Timer

Connection Diagram



Illumination

Unit : S→0.1S→0.01S→M→0.1M→H→0.1H

< Push (RST) & (RST) Key To Select The Unit >

Slide Switch

"N" : Manual Reset

"R" : Auto Reset

"LK" : To Lock Unit Selection

"UL" : To Unlock Unit Selection

Inside DIP Switch

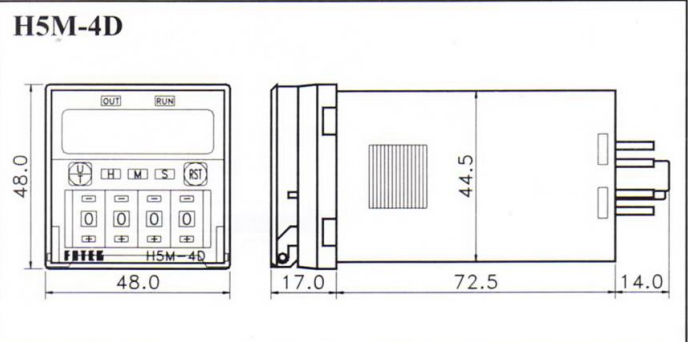
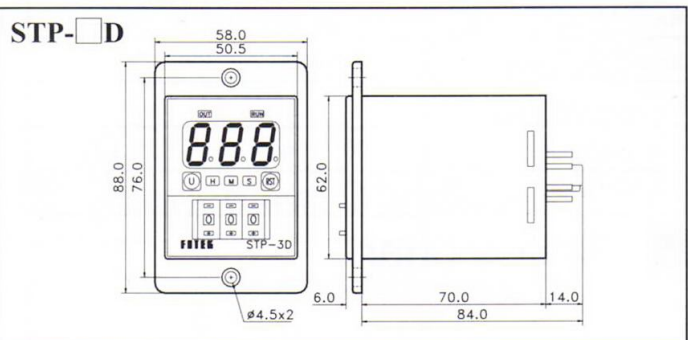
No.1 : ON=Memory

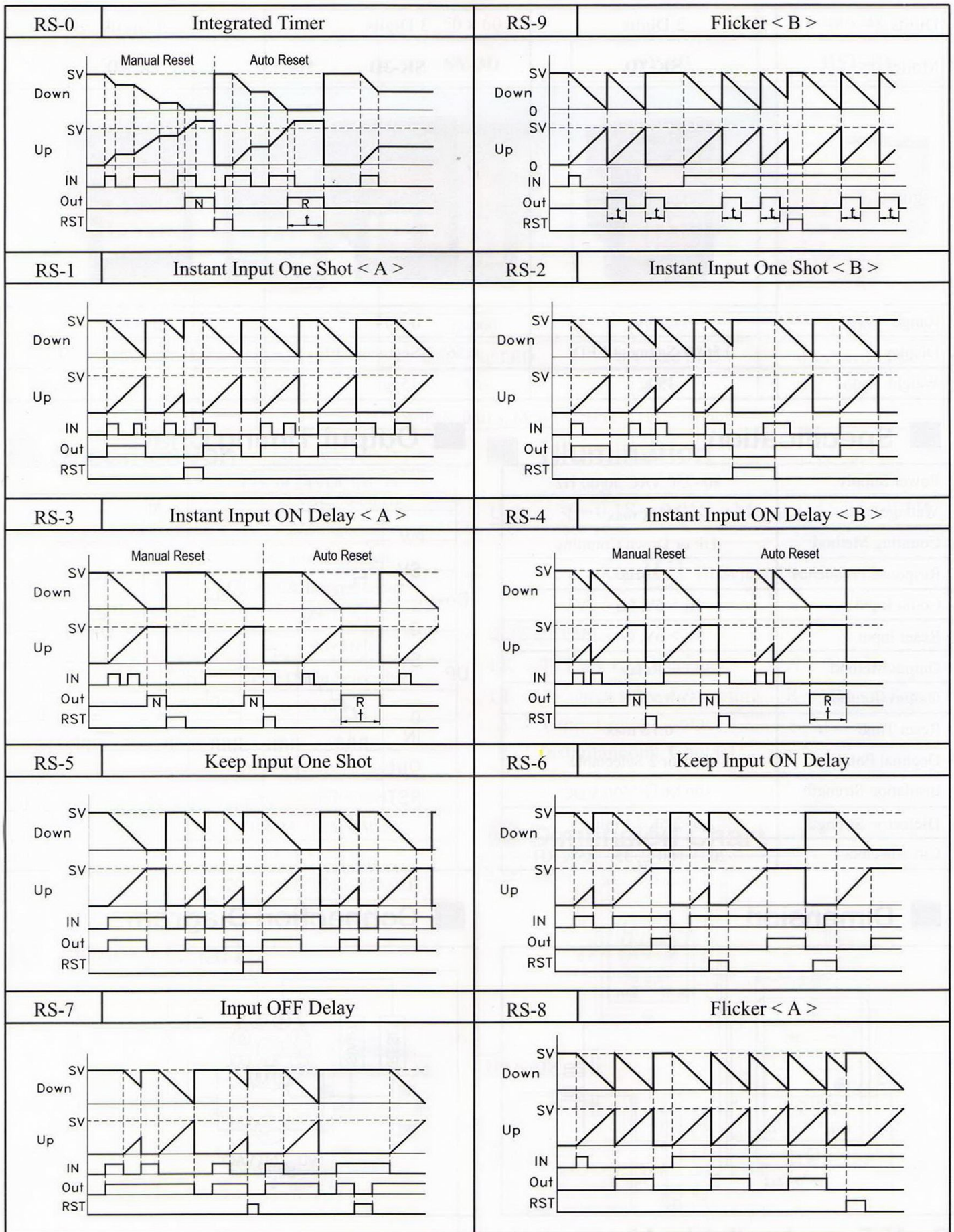
: OFF=Non-Memory

No.2 : ON=Down Timing

: OFF=UP Timing




Dimension





SK
series

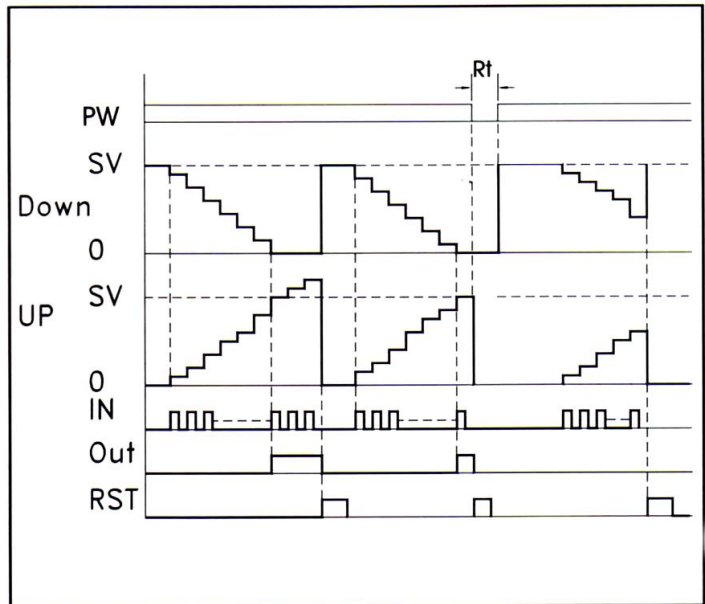
**POWER ON RESET
PRESET DIGITAL COUNTER**

Digits	2 Digits	3 Digits	4 Digits
Model	SK-2D	SK-3D	SK-4D
Figure			
Range	0~99	0~999	0~9999
Display	0.56" 7-Segment LED	0.56" 7-Segment LED	0.4" 7-Segment LED
Weight	150g	155g	160g

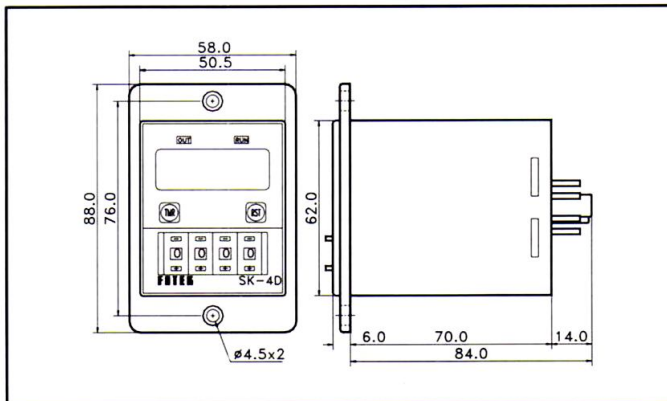
Specification

Power Supply	90~250 VAC 50/60 Hz
Wattage	5VA max.
Counting Method	UP or Down Counting
Response Frequency	30Hz
Count Input	Hi > 6V, Lo < 2V
Reset Input	Hi > 6V, Lo < 2V
Output Method	Relay
Output Control	Power ON Reset
Reset Time	0.1S max
Decimal Point	0, 1 or 2 Selectable
Insulation Strength	100 M Ω / 500 VDC
Dielectric Strength	2.5K / 1 min.
Circumstance	-20° ~ +60°C, 35 ~ 85% RH

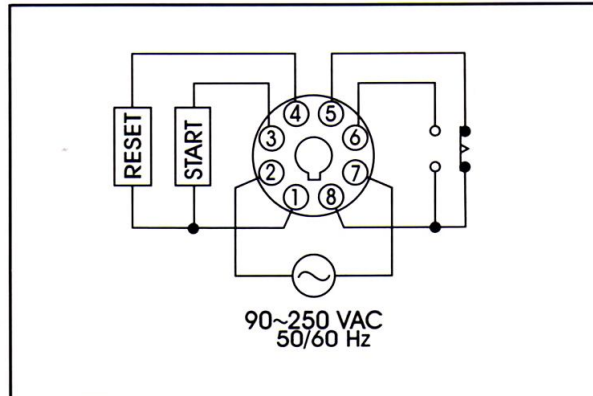
Output Timing Chart



Dimension



Connection Diagram






Ps.N Type Available Aiso

FOTEK

PRESET DIGITAL COUNTER

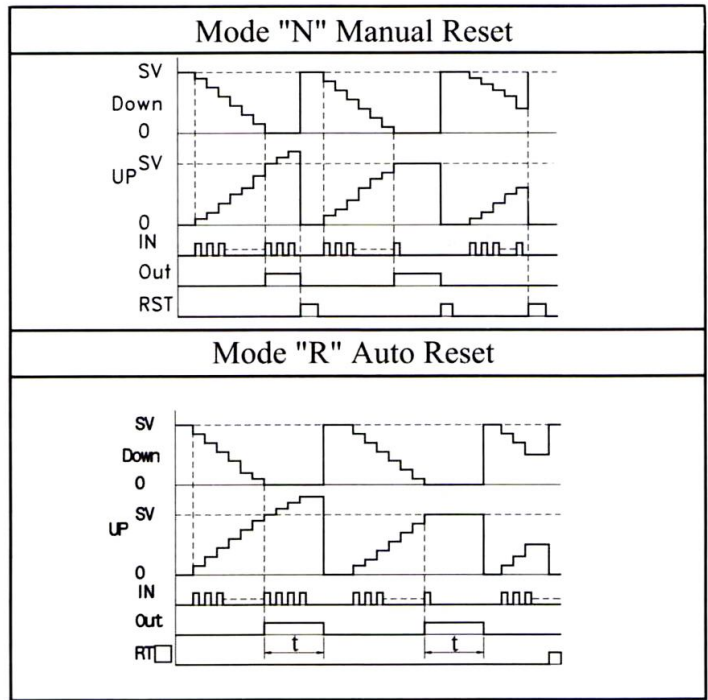
SC
series

Digits	2 Digits	3 Digits	4 Digits
Model	SC-2D	SC-3D	SC-4D
Figure			
Range	0~99	0~999	0~9999
Display	0.56" 7-Segment LED	0.56" 7-Segment LED	0.4" 7-Segment LED
Weight	155g	160g	165g

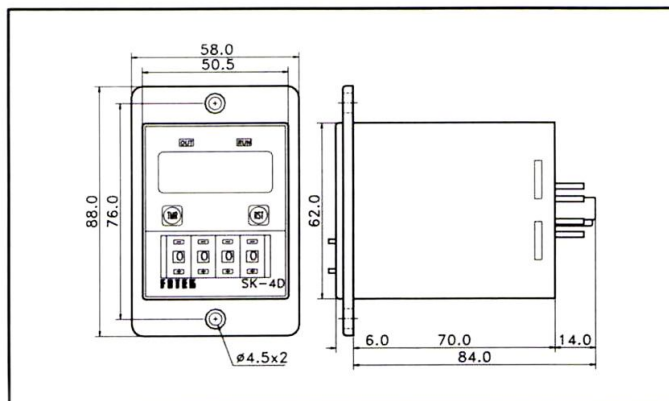
Specification

Power Supply	90~250 VAC 50/60 Hz
Wattage	5VA max.
DC Output	60 mV / 12 VDC
Memory Method	EEPROM or Non-Memory
Counting Method	UP or Down Counting
Response Freq.	Hi > 1 KHz, Lo < 30 Hz
Count Input	Hi > 6V, Lo < 2V
Reset Input	Hi > 6V, Lo < 2V
Output Method	Relay, 1a / 10A
Output Control	N or R Selectable
Decimal Point	0, 1 or 2 Selectable
Delay Timer	0.1~9.9 Sec
Insulation Strength	100 M Ω / 500 VDC
Dielectric Strength	2.5K / 1 min.
Circumstance	-20° ~ +60°C, 35 ~ 85% RH

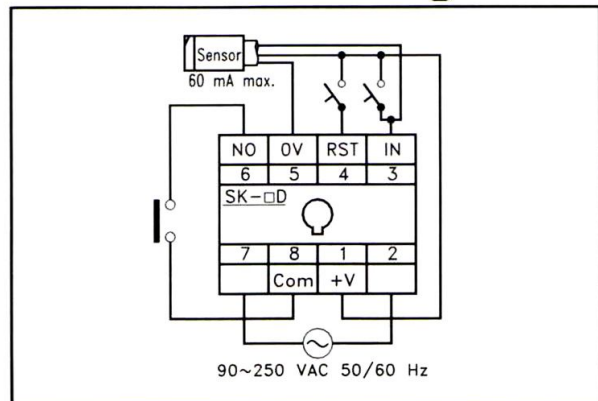
Output Timing Chart



Dimension



Connection Diagram



PS.N Type Available Also

H5C series

DIN 48X48 PRESET DIGITAL COUNTER

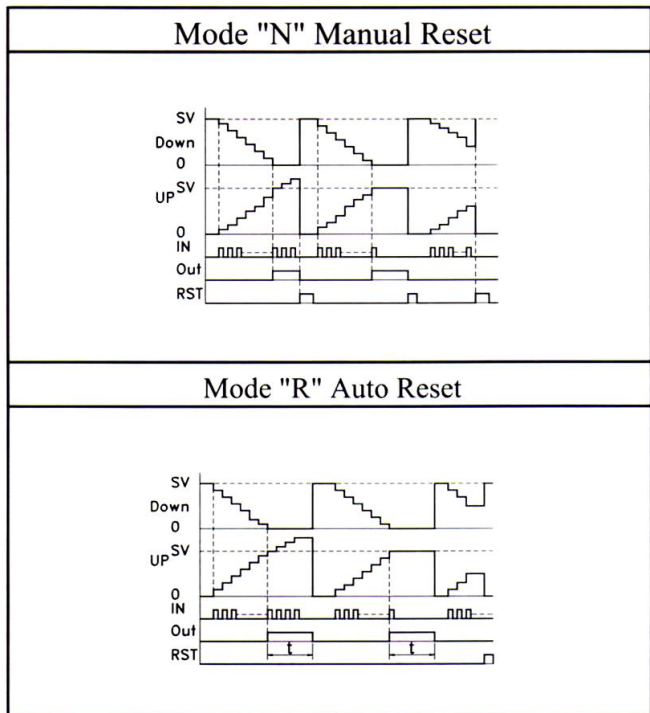
- ☆ DIN 48X48
- ☆ Up Counter or Down Counter Selectable.
- ☆ Decimal Point Selectable.
- ☆ Response Frequency : Hi < 1K Hz , Lo < 30 Hz Selectable.
- ☆ Output Control : Manual Reset or Auto Reset Selectable.
- ☆ Output Delay Time : 0.1S ~ 9.9 S
- ☆ DC Output : 60 mA /12 VDC
- ☆ Switching Power Supply : 90 ~ 250 VAC , 50 / 60 Hz



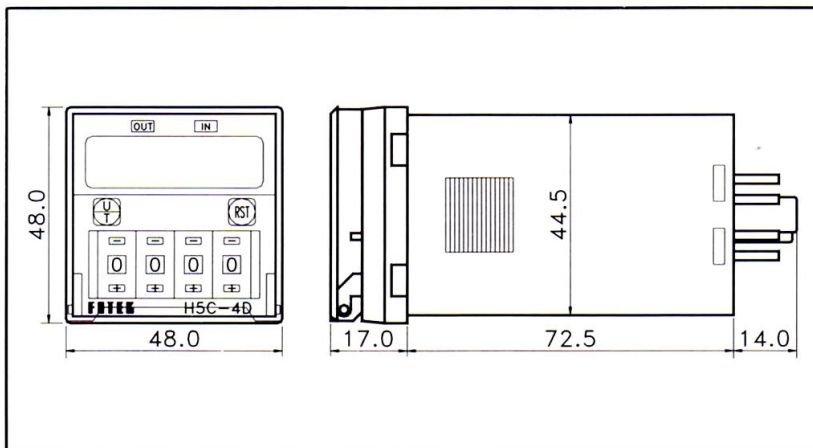
Specification

Model	H5C - 4D
Power Supply	90~250 VAC 50/60 Hz
Wattage	5VA max.
DC Output	60 mV / 12 VDC
Memory Method	EEPROM or Non-Memory
Counting Method	UP or Down Counting
Response Freq.	Hi < 1 KHz, Lo < 30 Hz
Count Input	Hi > 6V, Lo < 2V
Reset Input	Hi > 6V, Lo < 2V
Output Method	Relay, 1a / 10A
Output Control	N or R Selectable
Decimal Point	0, 1 or 2 Selectable
Delay Timer	0.1~9.9 Sec
Insulation Strength	100 M Ω / 500 VDC
Dielectric Strength	2.5K / 1 min.
Circumstance	-20° ~ +60°C, 35 ~ 85% RH

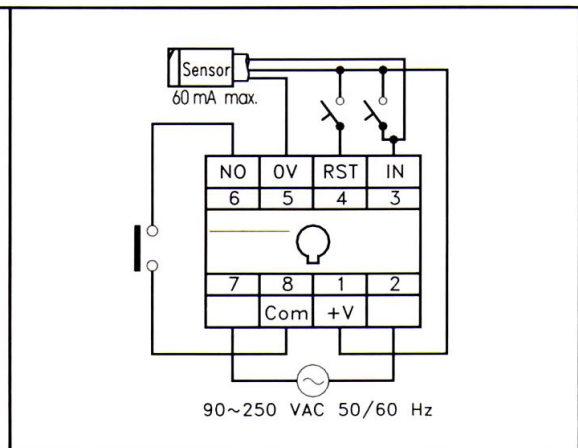
Output Timing Chart



Dimension




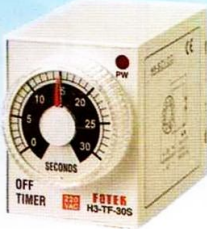

Connection Diagram



OFF DELAY TIMER



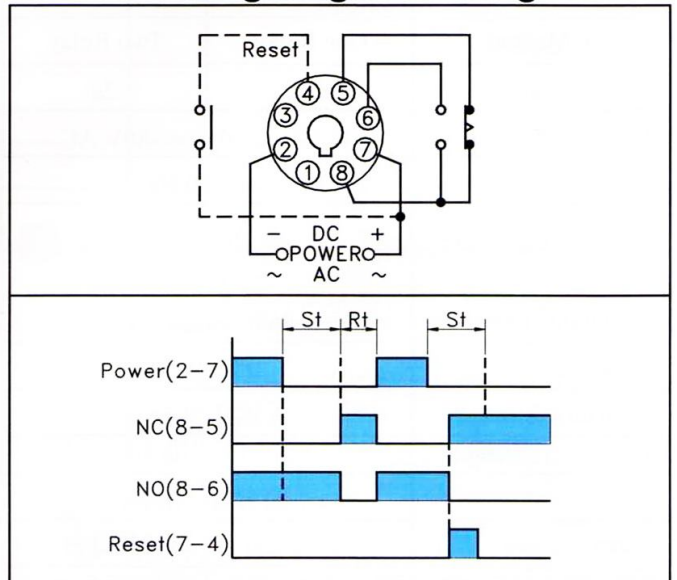
TF
series

Outline	50x60	40x50	48x48
Model	TFN - □□	H3-TF - □□	H5B-TF - □□
Figure			
Range	3S, 6S, 10S, 30S, 60S, 3M		
Contact Rated	5A/250VAC	1A/250VAC	5A/250VAC
Weight			

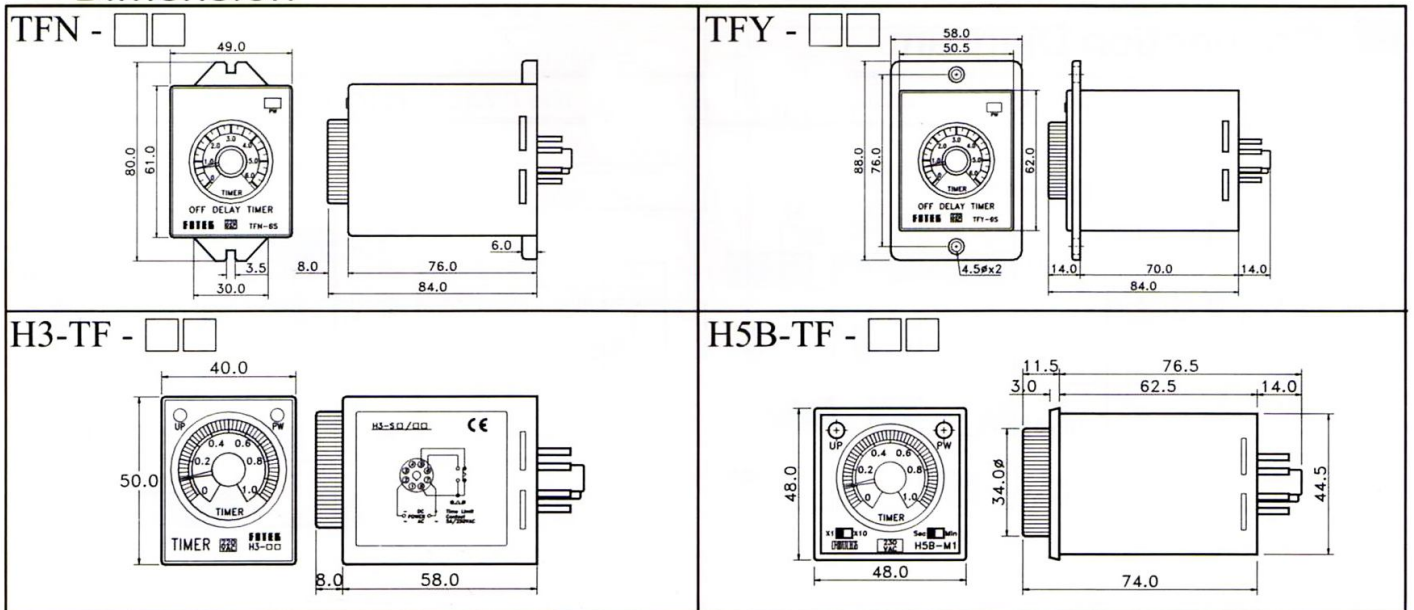
Specification

Item	Data
Power Supply	12V or 24 VAC/DC or 110V or 230V or 380VAC 50/60Hz
Wattage	3VA max.
Control Output	Relay < 1C >
Repetitive	0.5% of F.S.
Setting Accuracy	5.0% of F.S.
Reset Time	0.1sec Max.
Insulation Strength	100MΩ / 500 VDC
Dielectric Strength	2.5 KV / 1 Min.
Life of Relay	20 X 10 ⁵ Times
Circumstance	-20°C~+60°C, 35~85%RH

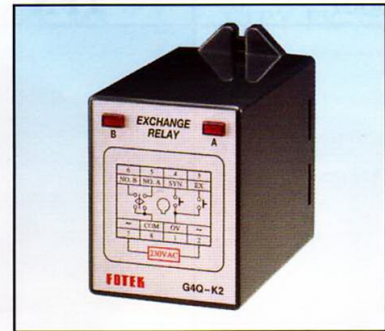
Connecting Diagram/Timing Chart



Dimension



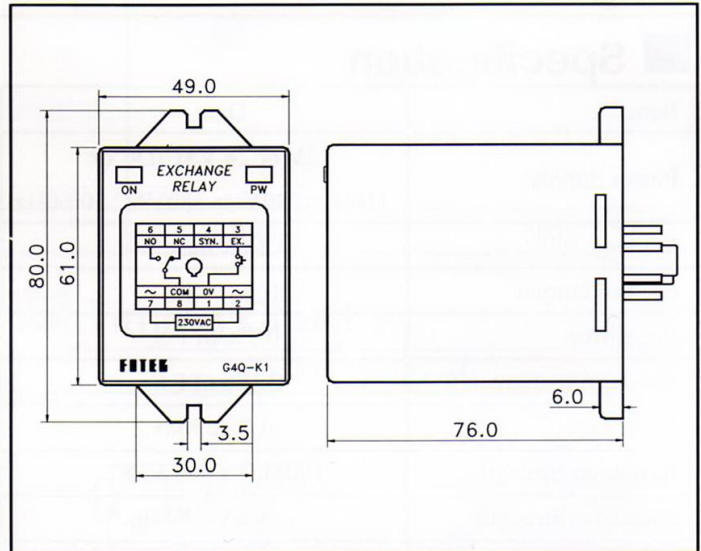
- ☆ G4Q-K1, One Relay NO/NC Exchange by Ex. Input.
- ☆ G4Q-K2, Two Relay NO Exchange by Ex. Input.



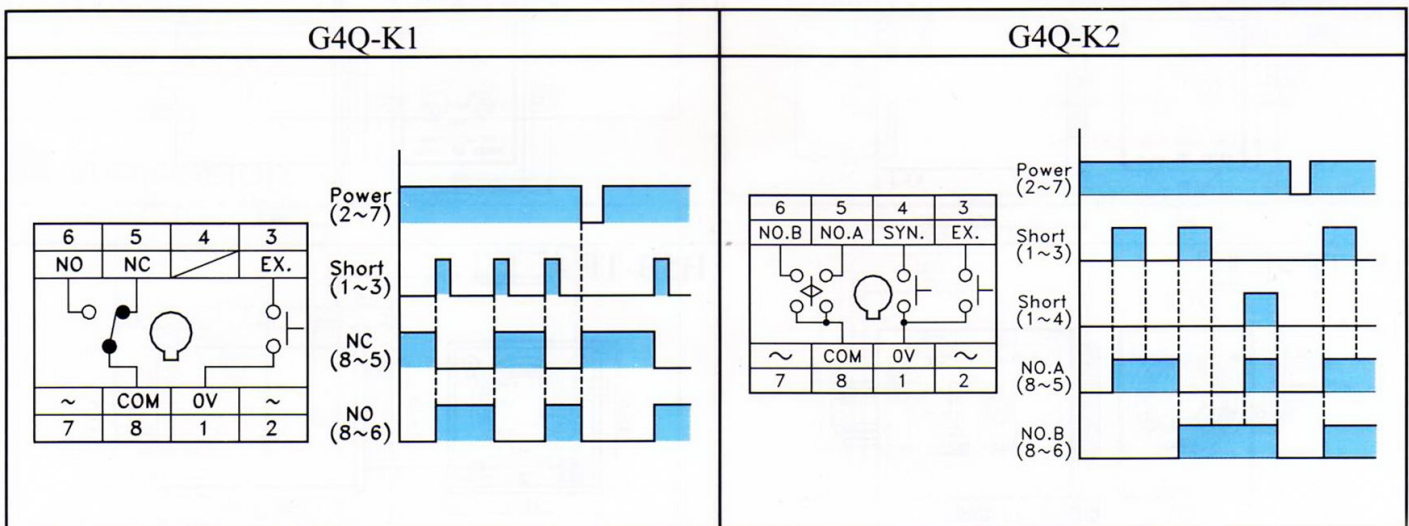
Specification

Model	G4Q-K1	G4Q-K2
Output Method	One Relay	Two Relay
Control Status	1a / 1b	2a
Power Supply	110V or 230V or 380V AC	
Frequency	50 ~ 60 Hz	
Wattage	3VA Max.	
Contact Rated	10A	
Switching Times	3600 Times / Hr	
Reset Time	0.1S Max.	
Dielectric Strength	2.5KV / 1 min.	
Insulation Strength	100MΩ / 500 VDC	
Life	20 X 10 ⁶ Times	
Circumstance	-20° ~ +60°C ; 35~85% RH	
Weight	175g	185g

Dimension



Connection Diagram



SENSOR CONTROLLER

C
series

- ★ High Compact, High Reliability & Low Cost Sensor Controller.
- ★ Input NPN or PNP Selectable
(A : NPN B : PNP)
- ★ Suited for Proximity Sensor or Photo Sensor
- ★ C-6 : Standard Controller
C-10 : OFF DELAY Controller.
C-11 : ON DELAY or ONE SHOT Controller.
C-12 : ON+OFF DELAY Controller (Twin Timer).



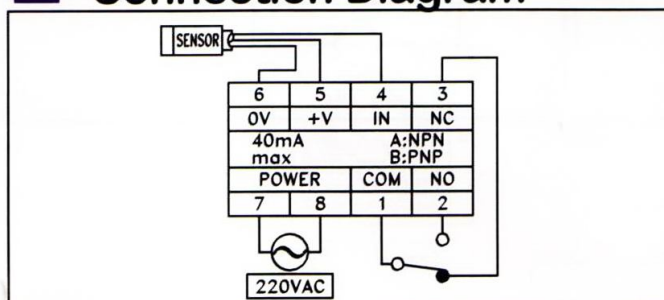
Specification

Model	C - 6	C - 10	C - 11	C - 12
Timer	Non	OFF DELAY	ON DELAY or ONE SHOT	ON DELAY + OFF DELAY
Range of Timer	0 ~ 10 Sec Adjustable			
Power Supply	110V or 220V or 380VAC ± 20% 50/60Hz			
Input Method	NPN or PNP Selectable			
Output Method	Relay (5A/250 VAC)			
Response Time	15 ms	1 ms		
DC Power Output	12 VDC / 40 mA max.			
Current Consumption	3 VA max			
Insulation Resistance	100 MΩ / 500 VDC			
Dielectric Strength	2.5KV / 1 min.			
Protection Class	IP-65			
Operating Temp./Hum.	-20°C ~ +60°C ; 35% ~ 85% RH			
Housing Material	Intensive ABS			
Socket	PF-085A			
Weight				

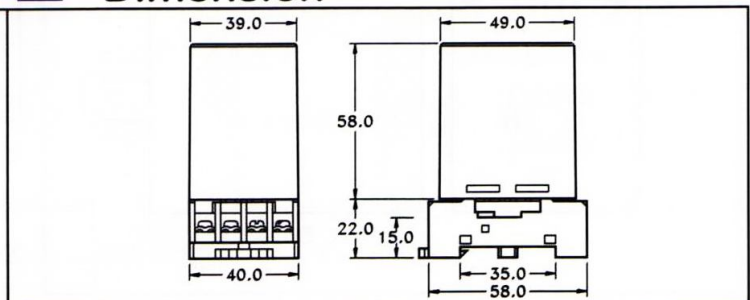
Function of Timer < C-6/C-10/C-11/C-12 >

Model	Timer	Output Timing Chart	Remarks
C-6	PNP INPUT NON DELAY		(一) Mode Selecting "A" NPN INPUT "B" PNP INPUT (二) Range of Timer 0.01S ~ 10.0S Adjustable
C-10	OFF DELAY		
C-11	ON DELAY		
C-11	ONE SHOT		
C-12	ON DELAY+ OFF DELAY		

Connection Diagram



Dimension



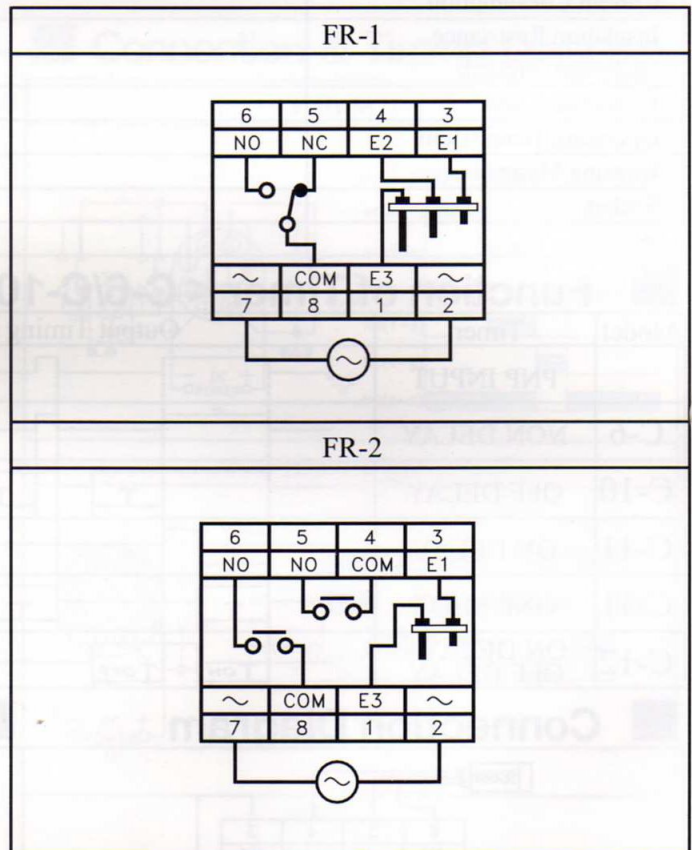
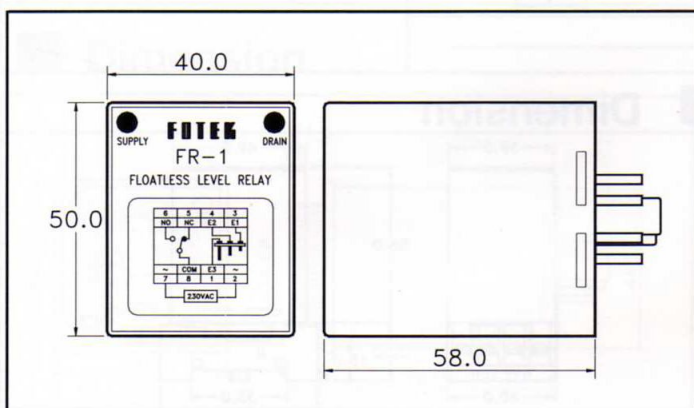
Type	Standard	Long Distance	High Sensitivity	Two Wires
Model	FR-1	FR-1L	FR-1H	FR-2
Figure				
ON Resistance	< 30K Ω	< 4K Ω	< 70K Ω	< 30K Ω
OFF Resistance	> 60K Ω	> 15K Ω	> 300K Ω	> 60K Ω
Length of Cable	< 1000M	< 4000M	< 50M	< 800M
Weight < Appr. >	130g	130g	130g	145g

Specification

Power Supply	AC 110V or 230V or 380V $\pm 20\%$, 50/60Hz
Electrode Voltage	14 VAC
Current Consumption	3VA max.
Output Method	Relay, 5A/250VAC
Response Time	ON<80ms, OFF<160ms
Insulation Resistance	100M Ω /500VDC
Dielectric Strength	2.5KV/1min.
Life of Relay	Mechanical > 2×10^7 Times Electrical > 5×10^6 Times
Circumstance	-20° C~+60°C, 35%~85%RH



Connection & Diagram

Dimension



VOLTAGE & PHASE RELAY

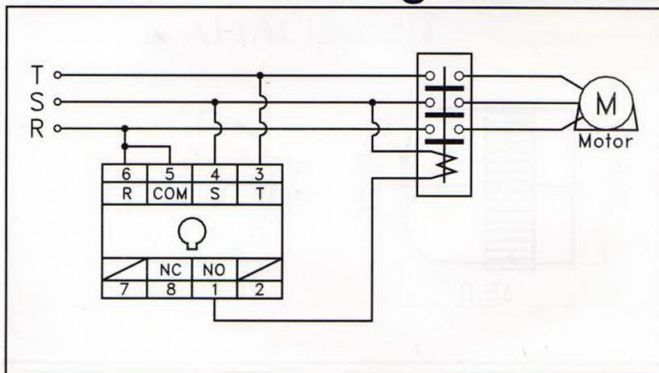
PVR/PR series

Product	Phase & Voltage Relay	Phase Relay
Model	PVR - 3 - <input type="checkbox"/> <input type="checkbox"/> <input type="checkbox"/> V	PR - 1 - <input type="checkbox"/> <input type="checkbox"/> <input type="checkbox"/> V
Figure		
Power Supply	230V or 380V or 440VAC or 480VAC, 50/60Hz	
High Voltage Limit	±20%	
Low Voltage Limit	±20%	
ON Delay Time	1.0~10.0 Sec Adjustable	
Reset Delay Time	1.0~10.0 Sec Adjustable	2 Sec < Fixed >
Output Method	Relay	
Contact Rated	5A/250VAC	
Output Status	Normal ON < RUN >	
Dielectric Strength	2.5KV / 1 min	
Insulation Strength	100MΩ / 500 VDC.	
Life of Relay	20 X 10 ⁶ Times	
Circumstance	-20°~+60°C ; 35~85% RH	
Weight	155g	140g

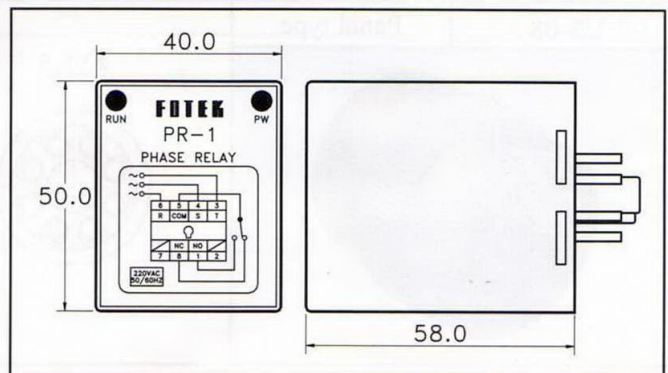
Operating Status (PVR-3)

Status \ LED	Norm.	High Voltage	Low Voltage	R/T Loss	S Loss	Phase Rev
Run	○	×	×	×	×	×
Over	×	○	×	×	×	×
Under	×	×	○	×	○	○

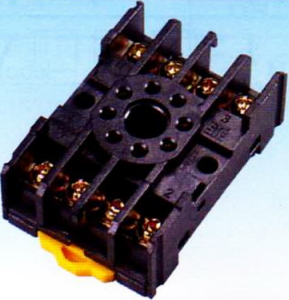
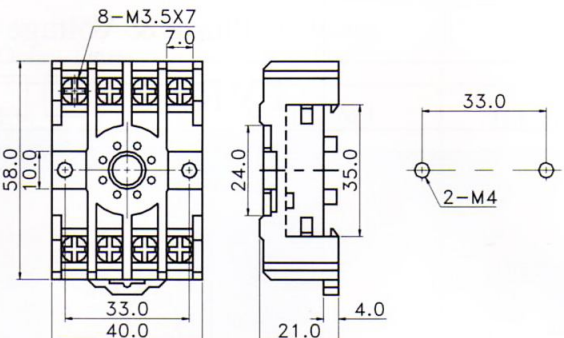

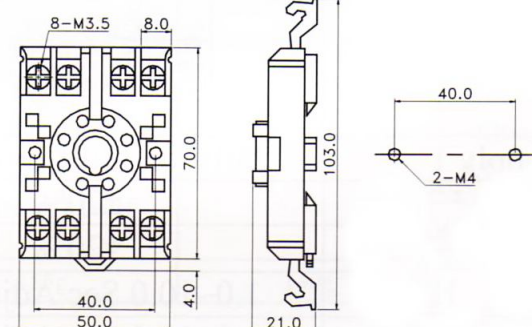
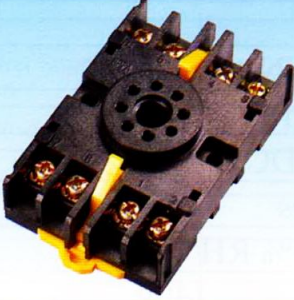
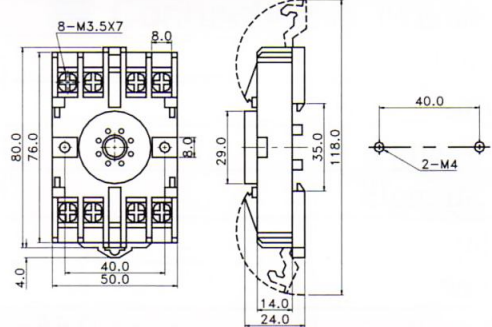
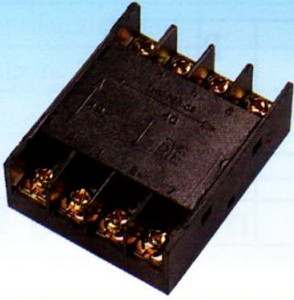
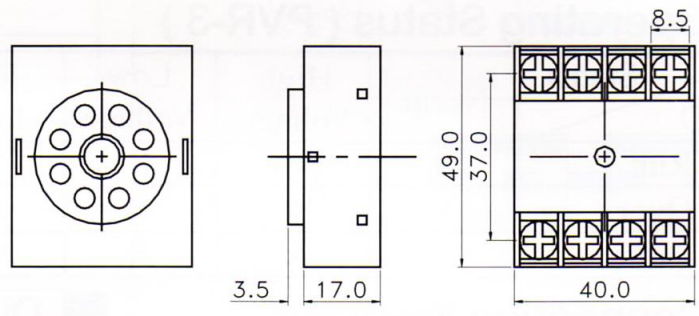

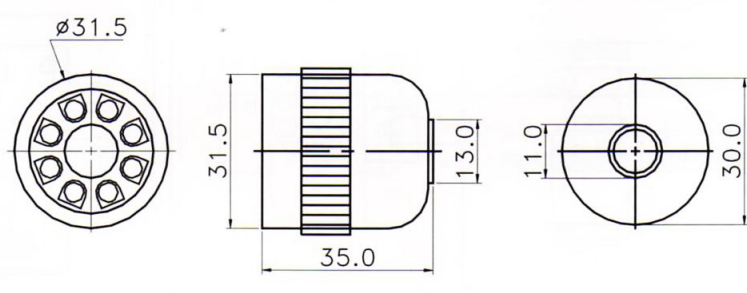
Connection Diagram

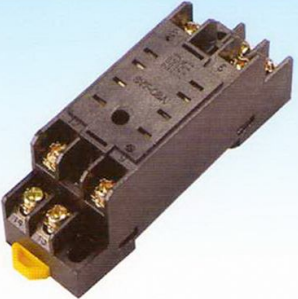
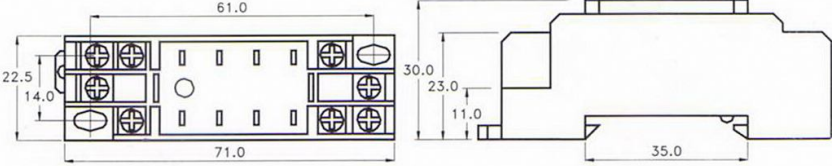
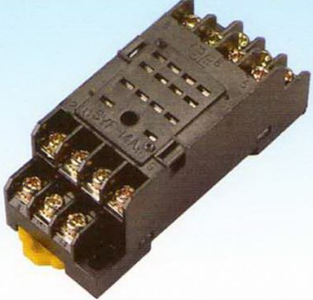
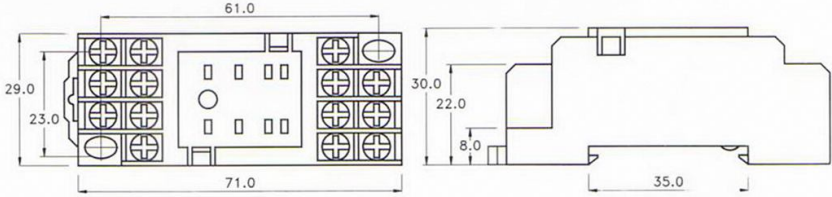

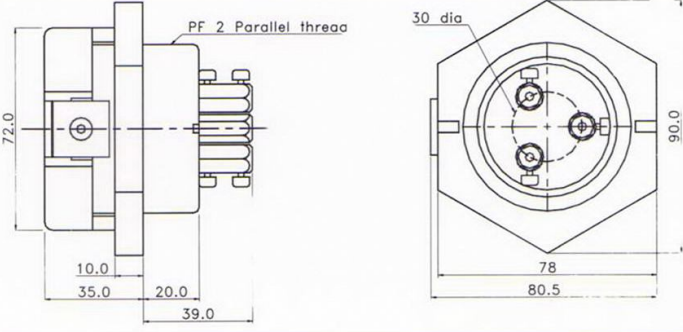
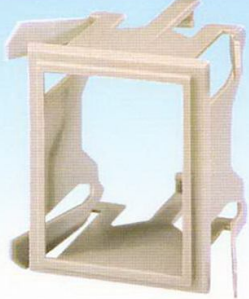
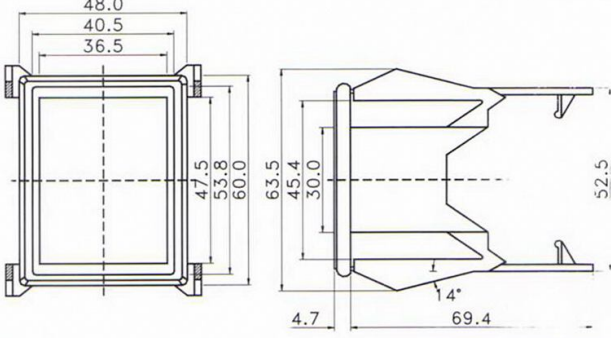

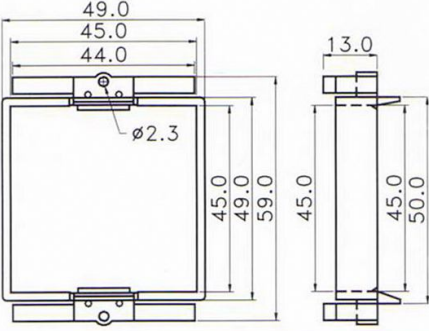


Dimension



SOCKET & ATTACHMENT

<p>PF085A</p> 	<p>H3 series</p>	
<p>P2CF-08</p> 	<p>H5B series</p>	
<p>8PFA</p> 	<p>STP series</p>	
<p>P3G-08</p> 	<p>Panel type</p>	
<p>US-08</p> 	<p>Panel type</p>	

PYF08A	MY-2P series	 
PYF14A	MY-4P series	 
PS-3S	FR series	 
Y-40	H3 series	 
Y-48	H5 series	 



量產化、標準化、製造世界標準電控器材。
先進技術、嚴格品管，提供最佳品質保證。

To Manufacture The World-Standard Controls
By Mass-Producing & Standardizing

To Offer Excellent Quality Assurance
By Advanced Manufacture Technology &
Strict Total Auality Control

