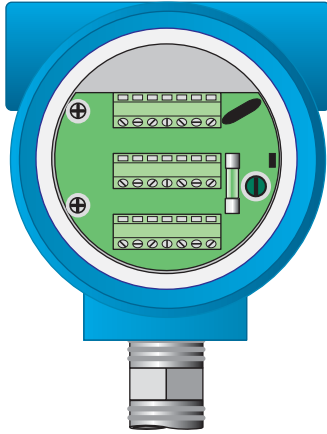
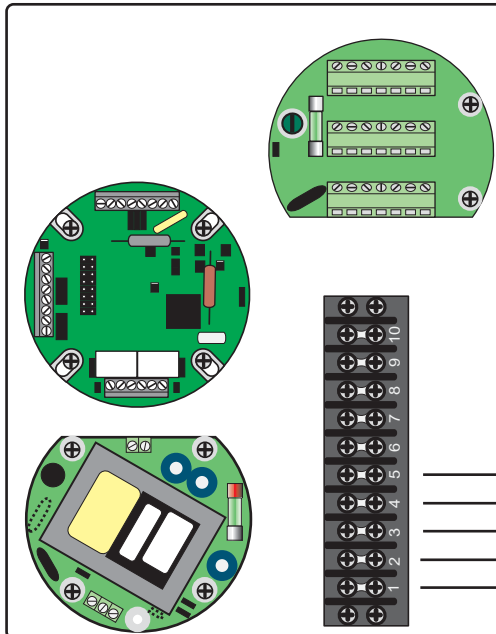


Back of
Integral Enclosure

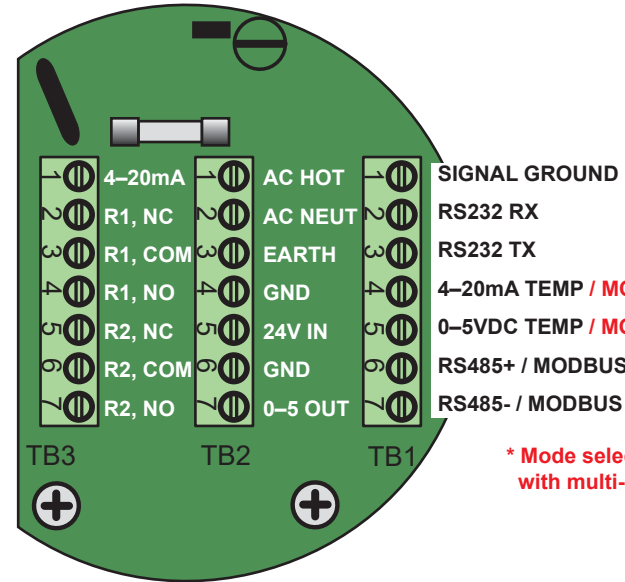


Remote Enclosure



Remote Power Connections:

- 5 24VDC Ground
- 4 +24VDC Input
- 3 AC Line 2
- 2 AC Line 1
- 1 AC Ground



* Mode selection included with multi-range meters

Signal Interface Board
Field Wiring Detail