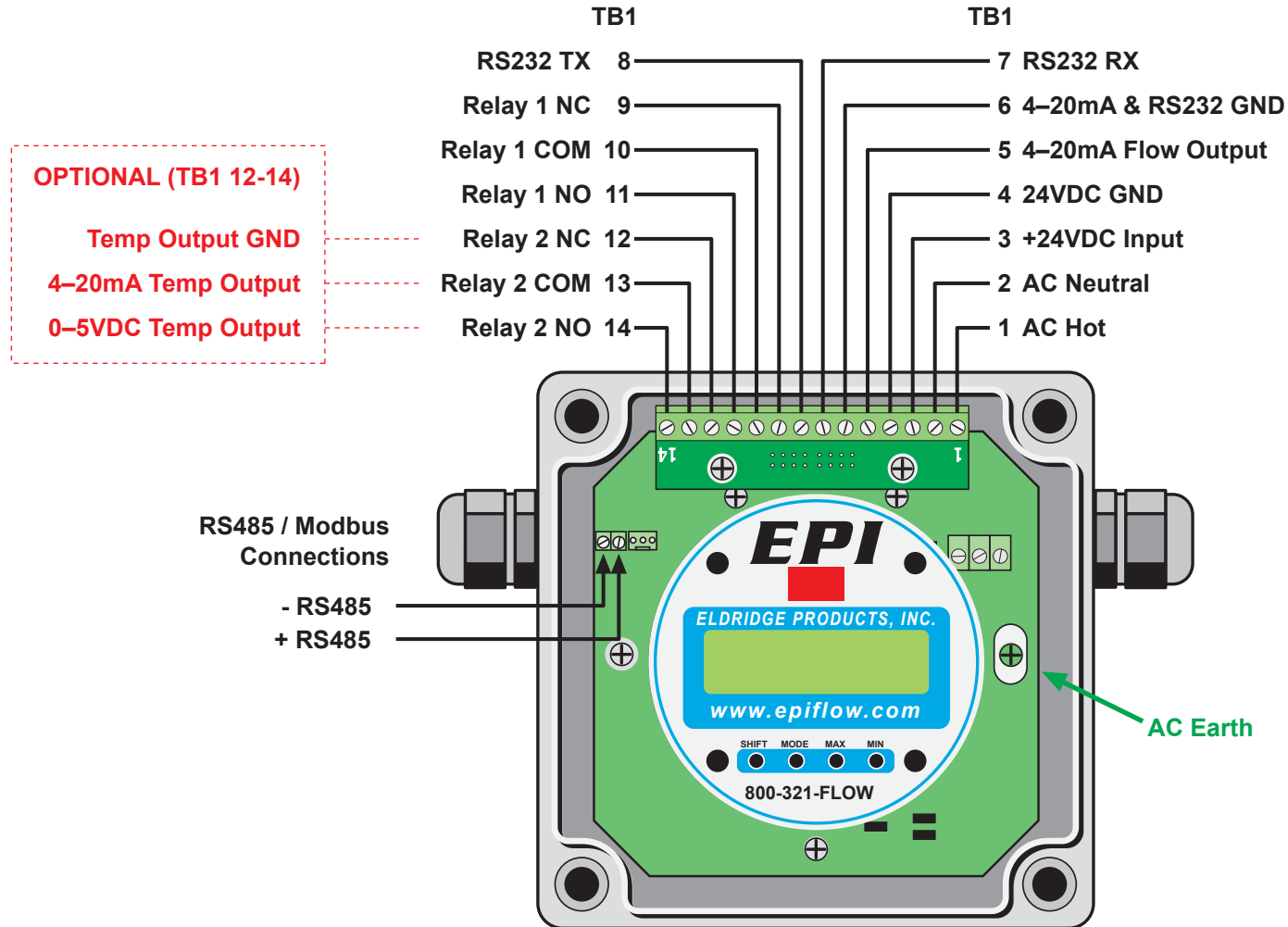




Wiring Diagram for MPNH Series

INTEGRAL & REMOTE ENCLOSURES



Wiring for Both Integral and Remote Enclosure

*AC Wiring only applicable for VAC115 & VAC230 Options

*Temperature output must be specified at time of order