

# PLASTIC TARPULIN (UNHCR)



## PLASTIC TARPULIN

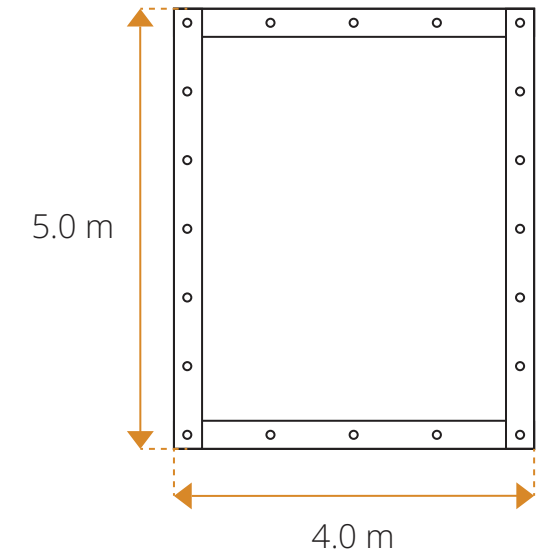
UNHCR STANDARD (4 X 5 M)

### FEATURES

- Fire Proof, Water Proof, Rot Proof and UV resistant
- Reinforced flexible tarpaulins for temporary shelter in all climates
- Made of woven high density black polyethylene (HDPE) fibers, warp x weft, laminated on both sides with low density polyethylene (LDPE) coating

### Dimensions

Sheet Size	4 x 5 m (±1%)
Roll Size	4 x 50 m (±1%)
Weight	190 gsm (±20 grams)



### MATERIAL

**SHEET/ROLL COMPOSITION** Woven Polyethylene (HDPE) inner black fibers, warp x weft, laminated on both sides with LDPE coating with aluminum eyelets on 4 sides every 100 cm

**Fire Retardancy** CPAI84

**TENSILE STRENGTH** Min 600N both directions warp and weft (BS 2576, 50 mm grab test or equivalent)

**TEAR STRENGTH** Min 100N both directions (BS 4303 wing tear or equivalent) or under ISO 4674 (A2)

**UV RESISTANCE** Max. 5% loss on mechanical strength after 1500 hours UV exposure

**REINFORCEMENT EYELETS** Provided with aluminum eyelets or equivalent on four sheet sides of the single sheets at 100 cm/±5 cm centre to centre, providing very strong fixation points

### SHEET LOADABILITY

**CRI Pallet**  
(20 Bales/100 Pcs per Pallet)  
**20FT:** 28 Pallets (2800 Pcs)  
**40DC:** 60 Pallets (6000 Pcs)  
**40HC:** 60 Pallets (6000 Pcs)

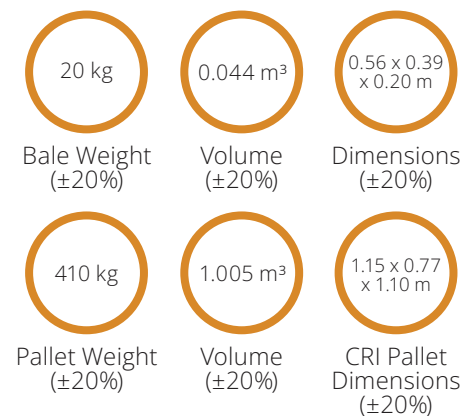
**Non-Palletized**  
(5 Pcs per Bale)  
**20FT:** 660 Bales (3300 Pcs)  
**40DC:** 1300 Bales (6500 Pcs)  
**40HC:** 1300 Bales (6500 Pcs)

### ROLL LOADABILITY:

**CRI Pallet**  
(12 Bales/12 Pcs per Cage)  
**20FT:** 28 Pallets (336 Rolls)  
**40DC:** 58 Pallets (696 Rolls)  
**40FT HC:** 58 Pallets (696 Rolls)

**Non-Palletized**  
(1 Piece)  
**20FT:** 380 Rolls  
**40DC:** 710 Rolls  
**40FT HC:** 710 Rolls

### Sheet Packing



### Roll Packing

