



OZONE

MANTRAM

YOUR WING IS HERE



MANTRAM

TRUE

PREFERRED






CONTENTS



Pilots Manual (Eng)	2 > 15
Manuel de VOL (Fr)	16 > 31
Betriebs HANDBUCH (D)	32 > 49
Line Diagram	50
Riser Diagram/Lengths	51
Technical Specifications	51
Materials	52



MANTRAM



Thank you for choosing to fly Ozone.
As a team of free flying enthusiasts, competitors and adventurers, Ozone's mission is to build agile paragliders of the highest quality with cutting edge designs and performance and maximum security.

Confidence and belief in your paraglider is a far greater asset than any small gains in performance - ask any of the Ozone pilots on your local hills, or those who have taken our gliders on ground-breaking adventures and stood on podiums around the world. All our research and development is concentrated on creating the best handling/performance characteristics possible with optimum security. Our development team is based in the south of France. This area, which includes the sites of Gourdon, Monaco and Col de Bleyne, guarantees us more than 300 flyable days per year. This is a great asset in the development of the Ozone range.

As pilots we fully understand just how big an investment a new paraglider is. We know that quality and value for money are essential considerations when choosing your new paraglider; so to keep costs low and quality high we build all our wings in our own production plant. During production our wings undergo numerous and rigorous quality control checks. This way we can guarantee that all our paragliders meet the same high standards that we expect ourselves.

This manual will help you get the most out of your Mantra M4. It details information about the Mantra M4's design, tips and advice on how best to use it and how to care for it to ensure it has a long life and retains a high resale value. If you need any further information about Ozone, the Mantra M4, or any of our products please check www.flyozone.com or contact your local dealer, school or any of us here at Ozone.

It is essential that you read this manual before flying your Mantra M4 for the first time.

Please ensure that this manual is passed on to the new owner if you ever resell this paraglider.

Safe Flying!
Team Ozone

WARNING

Paragliding is a potentially dangerous sport that can cause serious injury including bodily harm, paralysis and death. Flying an Ozone paraglider is undertaken with the full knowledge that paragliding involves such risks.

As the owner of an Ozone paraglider you take exclusive responsibility for all risks associated with its use. Inappropriate use and or abuse of your equipment will increase these risks.

Any liability claims resulting from use of this product towards the manufacturer, distributor or dealers are excluded.

Be prepared to practice as much as you can - especially ground handling, as this is a critical aspect of paragliding. Poor control while on the ground is one of the most common causes of accidents.

Be ready to continue your learning by attending advanced courses to follow the evolution of our sport, as techniques and materials keep improving.

Use only certified paragliders, harnesses with protector and reserve parachutes that are free from modification, and use them only within their certified weight ranges. Please remember that flying a glider outside its certified configuration may jeopardise any insurance (e.g. liability, life etc) you have. It is your responsibility as the pilot to verify your insurance cover.

Make sure you complete a thorough daily and pre-flight inspection of all of your equipment. Never attempt flying with unsuitable or damaged equipment.

Always wear a helmet, gloves and boots.

All pilots should have the appropriate level of license for their respective country and third party insurance.

Make sure that you are physically and mentally healthy before flying. Choose the correct wing, harness and conditions for your level of experience.

Pay special attention to the terrain you will be flying and the weather conditions before you launch. If you are unsure do not fly, and always add a large safety margin to all your decisions.

Avoid flying your glider in rain, snow, strong wind, and turbulent weather conditions or clouds.

If you use good, safe judgment you will enjoy many years of paragliding.

Remember, PLEASURE is the reason for our sport

TEAM OZONE



Everyone at Ozone continues to be driven by our passion for flying, our love of adventure and our quest to see Ozone's paraglider development create better, safer and more versatile paragliders.

Paragliding design is led by the ever thoughtful David Dagault; Dav has a wealth of experience both in competition, adventure flying and paraglider design. Also on the design team are Russell Ogden and Luc Armant. Russ is a top competition pilot and ex paragliding instructor, he can usually be found putting Dav's latest creation through a series of test manoeuvres. Luc, a dedicated XC addict has a background in naval architecture. He brings a wealth of knowledge and ideas to the design team and works closely with Dav in the design process.

Back in the office Mike 'Da Boss' Cavanagh generally keeps control of the mayhem. Promotion and Team pilots are organised by Matt Gerdes. Karine Marconi and Jill Devine make sure we don't spend too much money and look after the ordering system.

Our manufacturing facility in Vietnam is headed up by Dr Dave Pilkington, who works relentlessly manufacturing gliders and producing prototypes as well as researching materials and manufacturing processes for our future products. He is backed up by Khanh and 400 production staff.



YOUR MANTRA M4

The Mantra M4 replaces the successful Mantra M3 but retains many of its predecessor's characteristics. It also directly benefits from the lessons learnt during the development of the BBHPP and the all-conquering Mantra R10, incorporating much of the technology used in these wings to take serial class performance to a new level.

Our mission was to design not only the highest possible performing certified wing, but one that was also easy and fun to fly. We did not want to make a de-tuned competition wing that was uncomfortable or demanding, we wanted a wing that was a pleasure to fly and one that could be flown to its full potential, even in the most demanding conditions.

The M4 gives a smooth, comfortable feel with exceptional handling. By carefully moderating the sail tension and tab positioning feedback is filtered in a smooth coordinated manor which is easy to understand and exploit without being too overbearing or tiring during long turbulent flights. Critical to our philosophy of True Performance, the Mantra M4 can be flown throughout the speed range and retains high levels of efficiency and solidity even in turbulent air.

Performance gains have been made not by stretching aspect ratio, rather, by focusing on efficiency; reducing overall drag by optimising line diameters and reducing profile drag. Directly developed from the R10, the Mantra M4 integrates the most efficient profile along with the most advanced panel shaping techniques ever used on a certified wing to bring competition level performance to the serial class.

The Mantra M4 is only suitable for experienced, competent pilots who fly 100+ hours per year and who have a good understanding of SIV with high aspect ratio wings. It is designed for the most discerning pilots who need True Performance for XC/Competition flights with the comfort and reassurance of EN D certification.

➤ Rucksack

The bag has been especially designed for the Mantra M4. It is light in weight, comfortable and useful (padded hip belt, ergonomic and adjustable shoulder straps). It has a large volume that will allow you to store all your kit, whilst still being comfortable for hiking.

➤ Brake Lines

The brake line lengths have been set carefully during testing. We feel it is better to have slightly long brake lines and to fly with a wrap (one turn of line around the hand). However, if you do choose to adjust them, please bear in mind the following:

- Ensure both main brake lines are of equal length.
- If a brake handle has been removed, check that its line is still routed through the pulley when it is replaced.
- When the brake handles are released in flight, the brake lines should be slack. There must be a substantial "bow" in them to guarantee no deformation of the trailing edge.
- There must be a minimum of 10cm of free play before the brakes begin to deform the trailing edge. This prevents the trailing edge from being deformed when using the speed system.

IMPORTANT: In the unlikely event of a brake line snapping in flight, or a handle becoming detached, the glider can be flown by gently pulling the rear risers (C-risers) for directional control.

➤ Risers

The Mantra M4 has been designed with 3 risers. The A riser is covered with coloured webbing, this allows it to be easily identified.

The A's are Grey. You will notice that the A's are split into two risers. The small riser at the back, holding only one line (outermost A line) is the 'Baby A', it has been designed to make applying big ears simple.

The B's and C's are BLACK.

➤ Accelerator System

To set up an accelerator on the ground, ask a friend to pull your risers into their in-flight position while you sit in your harness. Now adjust the length of the line so that the main bar sits just beneath your seat. You should now be able to hook your heel in to the secondary (lower) loop of the accelerator.

The accelerator must be slack enough to ensure that the front risers are not pulled down in normal flight, but not so long that it is impossible to use the full speed range of the glider.

Extending the secondary (lower) loop of the accelerator fully will take the glider through approximately half its accelerated speed range. Should you need even more speed you should hook your feet on to the upper bar, which you can then extend until the pulleys on the risers touch.

Once set up, test the full range of the accelerator in calm flying conditions: ensure that both risers are pulled evenly during operation. Fine-tuning can be completed when you are back on the ground.

IMPORTANT: Using the accelerator decreases the angle of attack and can make the glider more prone to collapse, therefore using the accelerator near the ground or in turbulence should be avoided.

➤ Harness

It will be in your harness that you will enjoy flying... Therefore, we recommend you spend the time necessary to adjust your harness's different settings until you are completely comfortable. This will make flying more pleasurable.

The shoulder straps and the hip straps need to be set for comfort (make sure you do not have your shoulder's strap too tight, or you might find it difficult to get seated after launching). The ideal position in your harness should be with your knees horizontal and your body position leaning slightly backwards with your head behind the risers.

The chest strap should be set between 42cm and 46cm (between the center of the hang points). The S is certified with a chest strap set at 42cm, the MS and ML at 44cm and L at 46cm.

➤ Total Weight in flight

Each Ozone glider has been certified for a defined weight range. We strongly recommend that you respect these weight ranges. If you are between sizes the following information may help you make a decision as to which size to buy:

If you want better speed, precise handling or if you generally fly in mountains and/or in strong conditions, you should choose to fly in the top part of the weight range. If you want a better sink rate, or if you generally fly in flat lands and/or in weak conditions, you may choose to fly nearer the middle/lower part of the weight range. Remember, you can always add ballast for when conditions are stronger.

BASIC FLIGHT TECHNIQUES

To familiarise yourself with the glider it is a good idea to perform practice inflations and small flights on a training hill. This will enable you to set up your equipment correctly. If in any doubt please get advice and help from your local dealer or instructor.

➤ Preparation

Lay out the wing on its top surface in a pronounced arc, with the centre of the wing higher than the tips. Lay out the lines one side at a time. Hold up the risers and starting with the brake lines, pull all lines clear. Repeat with the stabilo, C, B and A lines, laying the checked lines on top of the previous set, and making sure no lines are tangled, knotted or snagged. Mirror the process on the other side.

Take-off checklist:

1. Check reserve parachute - pin in and handle secure
2. Helmet on and fastened
3. All harness buckles closed - check leg-loops again
4. Karabiners and maillons tight





5. Holding the A's and your brake handles
6. Leading edge open
7. Aligned directly into wind
8. Airspace and visibility clear

➤ Launching

Your Mantra M4 will launch with either the forward or reverse techniques.

Forward Launch - Nil to Light winds

When the wind is favourable, whilst gently holding the A risers move forward positively, your lines should become tight within one or two steps and the Mantra M4 will immediately start to inflate. You should maintain a constant pressure on the risers until the wing is overhead. Do not pull down or push the risers forward excessively, or the leading edge will deform and possibly collapse making taking-off more difficult and potentially dangerous.

Move smoothly throughout the entire launch, there is no need to rush or snatch at it. You should have plenty of time to look up and check your canopy before committing yourself. Once you are happy that the Mantra M4 is inflated correctly, accelerate smoothly off the launch.

Reverse Launch - Light to Strong Winds

Lay out your wing as you would for the forward launch. However, this time turn to face it, passing one entire set of risers over your head as you turn. Now you can inflate the glider with the A-risers. Once the wing is overhead, release the risers, brake gently if necessary, turn and launch.

In stronger winds be prepared to take a few steps towards the glider as it inflates. This will take some of the energy out of the glider and it will be less likely to overfly you. This reverse-launch technique can be used in surprisingly light winds too.

IMPORTANT: Never take off with a glider that is not fully inflated or if you are not in control of the pitch/roll of your wing.

Practice ground handling a lot! Not only is it great fun, but it will give you a much better feel for your wing's flight characteristics. It will also improve your overall enjoyment of flying by giving you the feeling of control and making your launches easier and less stressful.

➤ In Flight Characteristics

The Mantra M4 is a high aspect ratio, xc and competition-oriented paraglider. It is intended only for experienced pilots who have a good feel and understanding of paragliders and active flying.

You will notice the good feeling of lift and speed of the Mantra M4; on glides it remains solid and well pressured even through the accelerated speed range as it has a very high resistance to collapses.

We have worked a lot on tuning the wing so that it turns tightly but also efficiently, as the ability to climb in a turn is very important for XC and competition flying.

To get the most out of your Mantra M4 we advise you to consider the following information:

➤ Normal Flight

Flying at 'trim speed' (hands-up), the Mantra M4 will achieve its 'best glide' speed for still air. You should fly at this speed when gliding downwind or when the air is not excessively sinking.

For better penetration in headwinds and improved glide performance in sinking air, crosswinds or headwinds, you should fly faster than trim speed by using the accelerator system. Using up to half bar does not degrade the glide angle or stability significantly and will improve your flying performance. You will reach the next thermal faster and higher. At full speed the Mantra M4 is stable; however we recommend that you do not fly at full speed close to the ground or in turbulence.

By applying the brakes approximately 30cm, the Mantra M4 will achieve its minimum-sink rate; this is the speed for best climb and is the speed to use for thermalling and ridge soaring.

➤ Turning

To familiarize yourself with the Mantra M4 your first turns should be gradual and progressive.

To make efficient and coordinated turns with the Mantra M4 first look in the direction you want to go, then lean into it. Your first input for directional change should be weight-shift, followed by the smooth application of the brake until the desired bank angle is achieved. To regulate the speed and radius of the turn, coordinate your weight shift and use the outer brake.

IMPORTANT: Never initiate a turn at minimum speed (i.e. with full brakes on) as you could risk entering a spin.

➤ Active Flying

To minimize the likelihood of suffering collapses in turbulent conditions, it is essential to use active flying.

Flying with a small amount of brake applied (approx. 20cm) will give you feedback from the wing. In turbulent conditions the internal pressure of the wing can change and you will feel this through the brakes. The aim is to maintain a constant pressure through the brakes. If you feel a loss in pressure apply the brakes until normal pressure is resumed then raise hands back to original position (this must be done quickly). Avoid flying with continuous amounts of deep brake in rough air as you could inadvertently stall the wing. Always consider your airspace.

These movements can be symmetric or asymmetric; you may have to apply both brakes or just one. These subtle adjustments will keep the glider flying smoothly and directly above you and dramatically reduce the chances of a collapse. If the glider pitches in front of you, use the brakes to slow it down. Equally, if the glider drops behind you, release the brakes to allow it to speed up. The goal is to always keep the wing directly overhead.

These are skills that are best learnt by playing with the glider on the ground!

IMPORTANT: No pilot and no glider are immune to collapses however active flying will virtually eliminate any tendency to collapse. When the conditions are turbulent, be more active and anticipate the movements of your wing. Always be aware of your altitude and do not over-react. We strongly advise you to always keep hold of your brakes. Do not fly in turbulent conditions.

➤ Landing

The Mantra M4 shows no unusual landing characteristics but as a reminder, here are some tips:

- Always set up for your landing early, give yourself plenty of options and a safe margin for error.
- Once below 30 metres avoid turning tightly as the glider will have to dive to accelerate back to normal flight. If you are at low altitude, or if you hit sink, this could mean you hit the ground harder than necessary.
- Lean forward out of your harness before the actual landing (especially if it's turbulent), with your weight leaning forward against the chest strap, and make sure your legs are ready for the landing and a possible PLF (parachute landing fall).
- Allow the glider to fly at hands up (trim) speed for your final descent until you are around 1 metre above the ground (in windy or turbulent conditions you must fly the glider actively all the way). Apply the brakes slowly and progressively to slow the glider down until groundspeed has been reduced to a minimum and you are able to step onto the ground.
- In light winds/zero wind you need a strong, long and progressive flare to bleed off all your excess ground speed. In strong winds your forward speed is already low so you are flaring only to soften the landing. A strong flare may result in the glider climbing upwards and backwards quickly, leaving you in a vulnerable position.
- If the glider does begin to climb, ease off the brakes (10-20cm) - do not put your hands up all the way - then flare again, but more gently this time. Keep the brakes at mid speed, stand up, be ready to run and make sure you brake fully as you arrive on the ground.
- Choose the appropriate approach style in function of the landing area and the conditions.
- In strong winds you need to turn towards the glider the second





your feet touch the ground. Once facing the wing pull smoothly and symmetrically down on the brakes to stall the wing. If the glider pulls you, run toward it.

- If the wind is very strong, and you feel you might be dragged, or lifted again, stall the glider with the C risers. This stalls the wing in a very quick and controllable way and will drag you less than if you use the brakes.
- Always land heading into wind!

ADVANCED FLIGHT TECHNIQUES

➤ Rapid Descent Techniques

Ozone would like to remind you that these manoeuvres should be learnt under the supervision of a qualified instructor and always used with caution. Never forget that properly analysing the conditions before launch will help avoid the need to use these techniques.

➤ Big Ears

Folding in the wingtips increases the wing's sink rate. This is useful for staying out of cloud or descending quickly. To pull big ears, keep hold of your brake handles and take the outermost A-line on each side, then pull down (preferably one at a time) until the tips of the wing fold under. The Outer A line is attached to the Baby A riser, making identification and use of the big ear system easier.

Do not use the brakes other than for re-inflation. For directional control while using the Big Ears, you should use weight shift.

To reopen your big ears, release both A lines at the same time. To help re-inflation, brake gently one side at a time until tips regain pressure. Avoid deep symmetric applications of the brake as this could induce parachutal or full stalls.

IMPORTANT: You can land with the ears (you should release the ears before final flare). Ozone do not advise you to do this when it's turbulent or windy due to the risk of a possible stall and lack of precision in steering.

➤ Big ears and accelerator

Once the big ears are in you can further increase the sink rate by pushing on the accelerator bar.

NEVER try to pull the Big Ears in with the speed bar on. This can lead to a major asymmetric deflation. Always make the Big Ears first and then apply the speed bar.

➤ Big ears and spiral dive

Whilst it is possible to enter a spiral dive whilst holding in Big Ears, the high forces applied to the lower lines could exceed the breaking strain of the lines leading to equipment failure!

Ozone strongly recommend to NOT use this manoeuvre!

➤ Wingovers

The limit is tightly banked S-turns, commonly known as wingovers. These must not exceed 90 degrees of bank.

WARNING: Uncoordinated wingovers can lead to large asymmetric collapses and cravats, therefore they should never be executed near the ground.

➤ B-Line Stall

B-stall is for fast descents in emergency situations only. B-stall is performed by symmetrically pulling down on both B-risers.

If you pull too much B-line the glider may horseshoe and become unstable.

To exit the B-stall the B-risers should be released symmetrically and in one smooth, progressive motion. The glider will resume normal forward flight without further input. Check you have forward flight again before using the brakes.

IMPORTANT: We do not recommend the use of B line stalls with the Mantra M4. Pulling too much B line and or turbulence can cause the tips to fly forward and become unstable. Spiral dive is a safer way to loose height effectively.

➤ Spiral Dives

If you turn your glider in a series of tightening 360's it will enter a spiral dive. This will result in rapid height loss. To initiate a spiral, look and lean in to the direction you want to go, then smoothly pull down on the inside brake. The Mantra M4 will first turn almost 360 degrees before it drops into the spiral. Once in the spiral you should re-centre your weightshift and apply a little outside brake to keep the outer wing tip pressured and inflated.

Safe descent rates of 8m/s (1600 ft/min approx.) are possible in a spiral dive, but at these rates the associated high speeds and G-forces can be disorientating, so pay particular attention to your altitude.

To exit the spiral dive, ensure your weight shift is in a centered position and then slowly release the inside brake. As the Mantra M4 decelerates allow it to continue to turn until enough energy is lost for it to return to level flight without an excessive climb and surge.

The Mantra M4 shows little tendency to remain locked in a spiral dive; however some parameters could interfere with its behaviour. These might include: wrong settings of the chest strap, total weight in flight outside of the certified weight range, or being in a very deep spiral at a very high sink rate. You should always be prepared to pilot the wing out of such a spiral dive. To do so, smoothly use opposite weight shift and apply a small amount of outside brake and the glider will start to resume normal flight. Never attempt to recover from a spiral with hard or quick opposite inputs as this will result in an aggressive climb and surge.

IMPORTANT: Spiral dives with sink rates over 8 m/s are possible, but should be avoided. They are dangerous and put unnecessary strain on the glider. Spiral dives cause disorientation and need time and height to recover. Do not perform this manoeuvre near the ground.

➤ Deflations

Due to the flexible form of a paraglider, turbulence may cause a portion of the wing suddenly to collapse. This can be anything from a small 30% (asymmetric) collapse to a complete (symmetric) collapse. If you have a collapse, the first thing to do is to control your direction. You should fly away from the ground or obstacles and other pilots, or at least not to fly into them... Asymmetric collapses can be controlled by weight shifting away from the collapse and applying a small amount of brake to control your direction. This act will most of the time be enough for a full recovery of the wing.

Once a glider is deflated it is effectively a smaller wing, so the wing loading and stall speed are higher. This means the glider will spin or stall with less brake input than normal. In your efforts to stop the glider turning towards the collapsed side of the wing you must be very careful not to stall the side of the wing that is still flying. If you are unable to stop the glider turning without exceeding the stall point then allow the glider to turn whilst you reinflate the collapse.

If you do have a deflation, which does not spontaneously reinflate, make a long smooth progressive pump on the deflated side. This pumping action should take about 2 seconds per pump. Pumping too short and fast will not reinflate the wing and pumping too slow might take the glider close to, or beyond, the stall point.

Symmetrical collapses reinflate without pilot input, however 15 to 20cm of brake applied symmetrically will speed the process.

If your Mantra M4 collapses in accelerated flight, immediately release the accelerator to slow down to trim speed and after approximately a 90 deg turn the canopy will reinflate and return to normal flight.

➤ Cravats

If the tip of your wing gets stuck in the lines, this is called a 'cravat'. This can make your glider go into a spiral, which is difficult to control. The first solution to get out of this situation is to stabilise the glider into normal flight, i.e get control of your direction and then pull down the stabilo line (red line on the C riser) until the wing tip frees itself.





CARING FOR YOUR MANTRA M4

You must be careful with any brake inputs or you may stall the opposite wing.

If this does not work, a full stall (symmetrical or asymmetrical) is the only other option. This should not be done unless you have been taught how to do it and can only be done with a large amount of altitude. Remember if the rotation is accelerating and you are unable to control it, you should use your reserve whilst you still have enough altitude.

IMPORTANT: A bad preparation on launch, aerobatic flying, flying a wing of too high a level or in conditions too strong for your ability, are the main causes of cravats.

➤ Deep Stall / Parachutal stall

It is possible for gliders to enter a state of parachutal stall. This can be caused by several situations including; a very slow release from a B-line stall; flying the glider when wet; or after a front/symmetric deflation. The glider often looks as though it has recovered properly but carries on descending vertically without full forward motion. This situation is called 'deep stall' or 'parachutal stall'.

It is unlikely to happen on any Ozone glider, but should it happen, your first reaction should be to fully raise both brakes. This normally allows the glider to return to normal flight. If nothing happens after a few seconds, reach up and push the A-risers forwards or apply the speed bar to regain normal flight.

Ensure the glider has returned to normal flight (check your airspeed) before you use the brakes again.

IMPORTANT: Only a few cms of input from your brakes can maintain your wing in the stall. Always release your wraps if you have taken them!

⚠ ➤ Packing

To prolong the life of your wing and to keep the plastic reinforcements in the best possible condition it is very important to pack the wing carefully.

Ozone strongly recommends to use the concertina packing method exactly as shown so that all of the cells rest alongside each other and the plastic reinforcements are not unnecessarily bent. Using the Ozone Saucisse pack will help preserve the life of the wing and aid with the speed and ease of packing.

Step 1. Lay mushroomed wing on the ground. It is best to start from the mushroomed position as this reduces the dragging of the leading edge across the ground.



Step 2. Group LE reinforcements with the A tabs aligned, make sure the plastic reinforcements lay side by side.



Step 3. Lay wing on its side and Strap LE...Note the glider is NOT folded in half; it is folded with a complete concertina from tip to tip. It is really important to not stress the middle cell or bend the plastic too tightly.



Step 4. Group together the centre of the wing.



Step 5. Carefully zip up the saucisse pack without trapping any material or lines.



Step 6. Make the first fold after the LE reinforcements. Do not fold the plastic reinforcements, use 3 folds around the LE.



IMPORTANT: Do NOT lay the wing flat on the ground before packing the glider, this will cause abrasion damage to the top surface as you pull the glider towards the middle. ALWAYS pack from a mushroom or lift the wing off the ground when gathering the wing and grouping the leading edge.



=



Important: Do not fold the glider in the centre, you will bend the plastics, instead pack the wing with a full concertina method from tip to tip before packing into the stuff sac.



=



➤ Caring Tips

Careless ground handling damages many paragliders. Here are some things to avoid in order to prolong the life of your aircraft:

- DO NOT drag your wing along the ground to another take-off position - this damages the sailcloth. Lift it up and carry it.
- DO NOT try to open your wing in strong winds without untying the lines first - this puts unnecessary strain on the lines.
- DO NOT walk on the wing or lines.
- DO NOT repeatedly inflate the glider and then allow it to crash back



down. Try to keep this movement as smooth as possible by moving towards the glider as it comes down.

- DO NOT slam your glider down on the ground leading edge first! This impact puts great strain on the wing and stitching and can even explode cells.
- FLYING in salty air, in areas with abrasive surfaces (sand, rocks etc.) and ground handling in strong winds will accelerate the aging process.
- Your Ozone wing has an opening closed using velcro on the trailing edge of the tip called the 'butt hole'. This has been designed to easily empty all the things which have been accumulating in your wing (sand, leaves, rocks, mobile phones etc).
- If you fly with a wrap, you should regularly undo the twisting that appears on the main brake lines. By twisting the line become shorter and you can end up with a constant tension on the trailing edge (which can lead to problem on launch, stalling, glider not flying symmetrically, ...)
- Change your main brake lines if they are damaged.

It is recommended that you regularly CHECK your wing, especially after a heavy period of use, after an incident or after a long period of storage.

➤ Storage

Always store all your flying equipment in a dry room, protected from the direct heat.

Your wing should be dry before being packed away. Moisture, heat and humidity are the worst elements for damaging your glider. (Storing a damp glider in your car under the sun would be terrible for example). Dry your wing preferably out of the sun, in the wind. Never use a hair dryer, etc.

If you land in the salt water, you must clean it with fresh water first and then dry it.

Take care that no insects get packed away with the wing. They may eat the cloth and make holes in a bid to escape. They can also leave

acidic deposits if they die and decompose.

IMPORTANT: Never pack away or store your glider wet.

➤ Cleaning

Any kind of wiping/scratching can damage the coating of the cloth. We recommend for cleaning to use a soft cloth dampened only with water and to use gentle movements little by little across the surface.

IMPORTANT: Never use detergent or chemical cleaners.

➤ Wing Repairs

Amateur repairs often do more harm than good. Always let a registered dealer or the manufacturer carry out major glider repairs.

If you damage the sail:

If the rip is small, you can fix it yourself. You'll find all the materials in the repair kit you need.

The Porcher Marine fabric can be simply mended with the sticky rip stop/spinnaker tape.

When cutting out the patch remember to allow ample overlap around the tear and round the corners of the patch.

You can find more information about repairing your wing on the Ozone website, including step by step instructions with pictures.

If you damage a line:

Any line that is damaged should be replaced. It is important that the replacement line is from the same material, has got the same strength and the same length. You can check its length against its counterpart on the other side of the wing, to make sure that it is symmetrical. Once the line has been replaced, inflate and check the glider before flying. If you do not have access to an Ozone dealer you can order individual lines at www.flyozone.com

MAINTENANCE CHECKS

Your wing, like a car, should be technically checked to ensure proper airworthiness.

Your wing should be checked by a qualified professional for the first time after 24 months, or after 100 hours. However, if you are a frequent flyer (more than 80 hrs per year), then we recommend, that you get your glider checked annually.

The checker should inform you about the condition of your glider and if some parts will need to be checked or changed before the next normal service check period.

The sail and the lines do not age in the same way or at the same rate; it is possible that you may have to change part or all of the lines during the wing's life. For this reason it is important to do regular inspections so that you know the exact condition of all of the components of your glider. We recommend that inspections are carried out by a qualified professional.

You alone are responsible for your flying kit and your safety depends on it. Take care of your equipment and have it regularly inspected. Changes in inflation/groundhandling/flying behaviour indicates the gliders aging, if you notice any changes you should have the wing checked before flying again.

These are the basic elements of the check up (full details and permissible figures can be found on our website):

Porosity is measured with a porosity meter, the time taken by a certain volume of air to go through a certain surface of the cloth. The time in seconds is the result. A measurement is done in several places on the top surface along the span of the glider behind the leading edge.

The tearing resistance of the cloth - A non-destructive test following the TS-108 standard which specifies minimum tear strength for sky

diving canopies should be made using a Bettsometer. (B.M.A.A. Approved Patent No. GB 2270768 Clive Betts Sails)

Strength of the lines - An upper, middle and lower A line, along with a lower B and a lower C (and lower D if applicable) line should be tested for strength. Each line is tested to breaking point and the value recorded. The minimum value is 8 G for all lower A+B lines and 6 G for all lower remaining lines, calculated from the maximum certified flying weight of the glider. The added minimum strength for the middle lines and for the top lines should be the same.

If the breaking strength is too close to the minimum value calculated, the professional should give a period after which you will have to test the strength of the lines again.

Lengths of the lines - The overall length (riser lines + mid lines + upper lines) has to be checked under 5Kgs of tension. The difference between the measured length and the original length should not exceed +/- 10mm.

The changes that could appear are a slight shrink on the C or Ds and/or a slight stretch on the A, B. The consequences of these changes can include a slower trim speed, difficult inflation etc.

Full check - A full visual check should be carried out: All the components of the wing (stitching, ribs, diagonals, lines, tabs, ...) should be checked for signs of deterioration.

Finally, a flight test that confirms that the wing behaves normally should be carried out by the professional.

IMPORTANT: Take care of your glider and make sure you have it checked according to the above schedule: This will ensure you hours of safe flying.



MODIFICATIONS

Your Ozone Mantra M4 was designed and trimmed to give the optimum balance of performance, handling and safety. Any modification means the glider loses its certification and will also probably be more difficult to fly. For these reasons, we strongly recommend that you do not modify your glider in any way.

! ACROBATIC / SIV FLYING

The Mantra M4 has been designed as a high performance XC wing and is not intended for aerobatic manoeuvres.

Due to the nature of the tab positioning, induced collapses do not simulate real life collapses. Ozone strongly recommends to NOT perform SIV manoeuvres such as simulated asymmetric/symmetric deflations with this wing. To do so properly, and to be in line with certification requires the addition of collapse lines to the leading edge which have to be mounted accurately.

IMPORTANT: Ozone strongly advises against performing induced accelerated collapses (Symmetric or Asymmetric) with this wing.

TOWING

The Mantra M4 may be tow-launched. It is the pilot's responsibility to use suitable harness attachments and release mechanisms and to ensure that they are correctly trained on the equipment and system employed. All tow pilots should be qualified to tow, use a qualified tow operator with proper, certified equipment, and make sure all towing regulations are observed.

When towing you must be certain that the paraglider is completely over your head before you start. In each case the maximum tow force needs to correspond to the body weight of the pilot.

QUALITY

At Ozone we take the quality of our products very seriously, all our gliders are made to the highest standards in our own manufacturing facility. Every glider manufactured goes through a stringent series of quality control procedures and all the components used to build your glider are traceable. We always welcome customer feedback and are committed to customer service. We will always undertake to fix problems not caused by general wear and tear or inappropriate use. If you have a problem with your glider please contact your dealer/distributor who will be able to decide upon the most appropriate action. If you are unable to contact your dealer then you can contact us directly at info@flyozone.com.

SUMMARY

Safety is paramount in our sport. To be safe, we must be trained, practised and alert to the dangers around us. To achieve this we must fly as regularly as we can, ground handle as much as possible and take a continuous interest in the weather. If you are lacking in any of those areas you will be exposing yourself to more danger than is necessary.

Every year many pilots get hurt launching; don't be one of them. Launching is the time that you are most exposed to danger so practice it lots. Some launch sites are small and difficult and conditions aren't always perfect. If you're good at ground handling you'll be able to confidently and safely launch whilst others struggle...practice as much as you can. You'll be less likely to get hurt and more likely to have a great day's flying.

Finally, RESPECT the weather, it has more power than you can ever imagine. Understand what conditions are right for your level of flying and stay within that window.

Happy flying & enjoy your Mantra M4.
Team Ozone



MANTRAM 4



Ozone vous remercie d'avoir choisi de voler sous une Ozone.
L'équipe Ozone, constituée de passionnés de vol libre, se consacre à la fabrication d'ailes agiles, d'une maniabilité très caractéristique, optimisant d'incontestables performances tout en vous assurant la sécurité dans la turbulence.

Notre travail de recherche et de mise au point se concentre sur le meilleur compromis maniabilité/sécurité. Confiance en soi et en son matériel constitue une garantie de progression et de réussite bien plus importante que des performances pures et chiffrées. Demandez aux compétiteurs et aux aventuriers qui accomplissent exploits et résultats sous leurs parapentes Ozone!

Enfin, toujours en tant que pilotes, nous avons conscience de l'importance de la dépense que représente l'achat d'une aile. Le rapport qualité / prix exige une production irréprochable pour faire la différence. Afin de maîtriser les coûts de production tout en assurant la plus grande qualité de fabrication, nous fabriquons désormais nos produits dans notre propre usine. Cette solution nous garantit aussi une qualité de contrôle parfaitement fiable.

L'équipe des pilotes est basée dans le Sud de la France. Cette région avec les sites de Gourdon, Roquebrune et le Lachens garantit 300 jours de vol par an. C'est un atout incontestable pour la mise au point de la gamme Ozone.

Ce manuel de vol vous aidera à obtenir le meilleur de votre Mantra M4. Vous y trouverez des explications détaillées concernant sa création ainsi que des astuces et conseils pour savoir comment la piloter au mieux, en assurer le meilleur entretien afin de préserver sa longévité et donc son prix de revente sur le marché d'occasion. Vous trouverez à la fin de ce manuel les spécifications techniques de votre parapente: le diagramme de montage des suspentes ainsi que leurs longueurs. Gardez ces données techniques, elles vous seront nécessaires en cas de remplacement d'une ou plusieurs suspentes.

Si vous avez besoin d'informations complémentaires, votre revendeur, votre école ou l'un d'entre nous chez Ozone restons à votre disposition.
Avant de voler sous votre Mantra M4 pour la première fois il est très important que vous lisiez attentivement ce manuel de vol.

Si vous revendez votre Mantra M4 assurez vous de transmettre ce manuel au futur propriétaire.

Sur notre site web www.flyozone.com une mise à jour permanente vous informera des dernières communications concernant notamment la sécurité et les spécifications techniques de votre Mantra M4. Merci de consulter ce site régulièrement.

Bon vol
L'équipe Ozone

ACTION!!!

Tous les sports aériens sont potentiellement dangereux et présentent des risques d'accidents dont les conséquences peuvent entraîner des blessures et des traumatismes graves voire mortels. En tant que propriétaire de cette voile d'Ozone, vous assumerez tous les risques liés à son utilisation. Une utilisation inappropriée et ou un mauvais entretien de votre matériel accroissent ces risques.

Les parapentes Ozone conviennent aux pilotes qualifiés ainsi qu'en formation. En aucun cas le fabricant, l'importateur ou les vendeurs ne peuvent être tenus responsables quant à l'utilisation de ce produit.

Assurez votre formation dans des écoles compétentes. Entraînez vous régulièrement en contrôle statique au sol et autant que vous le pouvez. En effet un contrôle approximatif de l'aile sur les phases de gonflage et décollage est la principale cause d'accidents en parapente. Continuez à vous former régulièrement afin de suivre l'évolution de notre sport, des techniques de pilotage et du matériel.

Ne volez qu'avec des ailes dûment homologuées et respectez la plage de poids, un harnais équipé d'une protection dorsale muni d'un parachute de secours. Votre matériel ne doit avoir fait l'objet d'aucune modification et doit être en bon état et révisé régulièrement.

Une visite prévol de tout votre matériel et cela avant chaque vol est indispensable. N'essayez jamais de voler avec un équipement abîmé ou non adapté à votre expérience.

Volez toujours équipé d'un casque, de chaussures adéquates et de gants.

Tout pilote doit justifier d'avoir le niveau de formation et d'expérience requis et doit avoir souscrit au minimum à une assurance en responsabilité civile aérienne.

Vérifier que l'ensemble aile, harnais, expérience, conditions aérologiques, état physique et mental soit cohérent et respecté à chaque vol.

Accorder une importance toute particulière à l'endroit où vous allez voler ainsi qu'aux conditions météo. Si un doute existe abstenez vous de voler et de toutes façons ménagez vous d'importantes marges de sécurité.

Eviter absolument de voler sous la pluie, la neige, dans du vent fort, en conditions turbulentes et les nuages.

Seulement si vous faites toujours preuve de rigueur dans vos jugements, vous vivrez alors de nombreuses et heureuses années de vol.. Le plaisir est le moteur de votre activité.

L'EQUIPE OZONE



Toute l'équipe Ozone est animée depuis le début par la même passion du vol libre et de l'aventure. Cette passion se retrouve dans notre quête de développer des parapentes Ozone encore meilleurs, plus sûrs et plus ludiques. Dav Dagault est responsable de la conception des ailes. Il a acquis beaucoup d'expérience tant en compétition qu'en vol cross. L'équipe de conception comprend également des pilotes de test Russell Ogden et Luc Armant.

Luc, acro de XC, a un passe d'architecte naval. Il apporte son riche savoir et ses idées à la 'design team' et il travaille en étroite collaboration avec Dav dans la procédure de création design.

Russ est un pilote de compétition de très haut niveau et un ancien moniteur de parapente. Régulièrement il exécute des séries des tests rigoureux sur les créations de parapente de Dav.

Au bureau, Mike Cavanagh surnommé "Le Boss" contrôle les cordons de la bourse. Matt Gerdes s'occupe de l'équipe des pilotes Ozone, de la promotion et des nombreux distributeurs. Karine Marconi et Jill Devine, nos comptables, vérifient si nous ne dépensons pas trop d'argent et nous aident dans nos tâches administratives.

Notre usine de production au Vietnam est dirigée par Dr Dave Pilkington qui travaille sans répit sur la réalisation d'ailes et de prototypes ainsi que sur la recherche de nouveaux matériaux et techniques de fabrication pour nos produits futurs. Il est secondé par Ngan et dirige plus de 400 employés.



VOTRE MANTRA M4

La Mantra M4 remplace la Mantra M3 mais conserve plusieurs caractéristiques de la version précédente. Elle bénéficie directement des enseignements du développement du BBHPP et de la révolutionnaire Mantra R10, en incorporant une grande partie de la technologie de ces modèles afin d'amener la performance de la « Serial Class » dans une nouvelle dimension.

Notre mission était de concevoir non seulement la voile homologuée la plus performante possible, mais aussi un parapente qui soit facile et amusant à piloter. Nous ne voulions pas faire une voile de compétition adoucie qui serait inconfortable ou exigeante, nous voulions une aile qui soit un vrai plaisir en vol et dont tout le potentiel pourrait être exploité, même dans les conditions les plus difficiles.

La M4 produit une sensation en vol douce et confortable avec un pilotage exceptionnel. En modérant avec attention la tension de la voile et le positionnement des pattes d'attache, le retour d'information se fait de manière douce et coordonnée, ce qui le rend facile à comprendre sans être trop présent ou fatiguant pour les longs vols en conditions actives. Fidèle à notre philosophie de la Vraie Performance, la Mantra M4 peut être utilisée pleinement sur toute sa plage de vitesse et conserve une forte solidité et efficacité même en air turbulent.

Les gains de performance n'ont pas été obtenus en augmentant l'allongement, mais en se concentrant sur l'efficacité; c'est-à-dire en réduisant la traînée totale en optimisant les diamètres de suspentes et en réduisant la traînée de profil.

Développée directement à partir de la R10, la Mantra M4 intègre le profil le plus efficace et les techniques de formage de panneaux les plus avancées jamais utilisées sur une voile homologuée afin d'introduire la performance des voiles de compétition dans la classe « Serial ».

La Mantra M4 n'est destinée qu'aux pilotes expérimentés et compétents, qui volent 100 heures ou plus par an et qui ont une bonne compréhension des manœuvres de SIV avec des voiles de fort allongement. Elle est conçue pour les pilotes les plus exigeants qui veulent la Vraie Performance pour voler en cross ou en compétition avec le confort et la sécurité d'une homologation EN D.

➤ Le sac de portage Ozone

Le sac est étudié pour avoir un portage confortable et efficace (ceinture matelassée et bretelles ergonomiques réglables) tout en gardant un volume adapté à tout votre matériel de vol. Les poches latérales et supérieures facilitent le rangement de l'ensemble de votre équipement. La sangle de compression et le sac de voile garantissent un bon maintien de votre voile une fois pliée.

➤ Les freins

Les freins sont préréglés en usine et vérifiés.

Ceux-ci seront légèrement longs car nous pensons qu'il vaut mieux avoir à piloter avec éventuellement un "tour de freins" autour des mains ou prise en dragonne. (meilleure précision de pilotage). Mais si jamais ce réglage d'origine ne vous convenait pas, et que vous décidiez de modifier celui-ci, vous devez absolument respecter les précautions suivantes:

- Assurez-vous de la parfaite symétrie des longueurs des deux freins.
- Si une poignée de frein a dû être détachée de sa suspente, vérifiez que la suspente rattachée à nouveau passe bien dans sa poulie et empreinte le bon chemin. Le noeud de chaise est le plus adapté pour la liaison poignée/drisse de frein.
- Quand les poignées de freins sont lâchées en vol, le suspentage de freins doit décrire le profil d'un arc (lobe) depuis le bord de fuite jusqu'aux élévateurs et non pas être tendu comme les autres suspentes afin de ne pas brider ni déformer ce bord de fuite.
- Il doit y avoir une garde, un jeu d'au moins 10 cm entre le départ de votre action à freiner et le début de déformation du bord de fuite. Ce jeu permet d'utiliser l'accélérateur sans déformer le bord de fuite.

IMPORTANT: Si jamais une poignée de frein venait à se détacher ou à casser, vous pourriez toujours vous diriger et piloter en utilisant les 2 élévateurs arrière (C). Attention l'amplitude de traction doit être plus faible pour obtenir un virage, utilisez également votre sellette.

➤ Les élévateurs

La Mantra M4 a été conçue avec des élévateurs à 3 branches. Les A sont facilement identifiables par un manchon gris en haut de la sangle.

➤ L'accélérateur

Il est à fixer à l'aide des crocs fendus sur le devant des élévateurs A. (ajuster ensuite la longueur et le faire passer dans les emplacements de la sellette prévus à cet effet).

Pour ajuster l'accélérateur, installez vous dans votre harnais posé sur le sol. Un assistant tiendra les élévateurs tendus vers le ciel, dans leurs positions de vol par rapport au pilote. Ajustez alors la longueur de la cordelette de façon à ce que la barre rigide de la pédale d'accélérateur (fournie avec la voile) soit à 10 cm sous votre harnais. Vos talons doivent alors pouvoir se poser facilement sur la sangle (partie souple de l'accélérateur).

Le réglage de l'accélérateur doit être suffisamment "long" pour qu'en vol normal, non accéléré, le système ne tire pas sur les élévateurs, mais assez court pour pouvoir accélérer à fond les jambes tendues. En poussant à fond sur la sangle (partie souple) de l'accélérateur vous devez atteindre la moitié de la vitesse que le système permet de gagner. C'est la vitesse accélérée la plus couramment utilisée : c'est là où on trouve le meilleur compromis vitesse, finesse, solidité. Si vous avez besoin d'encore plus de vitesse, en poussant à fond le barreau principal (jambes tendues) vous parviendrez à la vitesse maximale, les poulies du système cousues sur les élévateurs sont alors en butée les unes contre les autres.

Lorsque ce système est installé, essayez le dans des conditions calmes. Assurez-vous de la parfaite symétrie de l'accélérateur. Ces essais vous permettront d'affiner au sol le réglage.

IMPORTANT: Pour mieux pénétrer un fort vent de face vous pouvez utiliser le système d'accélérateur. Son utilisation diminue l'angle d'incidence de l'aile et rend celle-ci plus sujette aux fermetures, il faut donc s'abstenir de s'en

servir près du sol ou en aérologie turbulente. Les débutants ne doivent s'en servir qu'après être totalement habitués à leur aile. Si les tests d'homologation comprennent des vols accélérés, même les pilotes expérimentés s'abstiennent d'accélérer à fond et surtout par conditions turbulentes.

➤ La sellette

C'est assis dans votre sellette que vous apprécierez le vol. Alors consacrez le temps nécessaire afin de trouver les réglages qui feront du vol un moment agréable, car confortable.

Le réglage de confort est obtenu par les différentes boucles de hanches et par les bretelles. (Ne serrez pas trop vos bretelles, vous auriez du mal à vous installer après le décollage). Votre position de vol idéale est assise et le dos légèrement incliné vers l'arrière. Le réglage de pilotage est réalisé avec la ventrale. Optez pour 42cm pour la S, 44cm pour la MS et ML, 46cm pour le L entre axes des élévateurs.

IMPORTANT: N'oubliez pas que votre Mantra M4 a été homologuée avec ces écartements de ventrale. Ne pas respecter ces dimensions vous exposerait à voler avec une voile non homologuée!

➤ Le PTV

Chaque taille de Mantra M4 a été homologuée pour une fourchette de poids donnée. Nous préconisons de voler au milieu de ces fourchettes. Néanmoins il peut arriver que vous vous trouviez entre deux tailles. La réponse n'est pas simple et dépendra de plusieurs paramètres: Si vous voulez privilégier la vitesse, la précision en virage, si vous volez généralement en montagnes et/ou en conditions fortes, vous pouvez envisager d'être plutôt dans la moitié haute de la fourchette.

Si vous souhaitez un meilleur taux de chute, si vous volez généralement en plaine ou en petites conditions, nous vous conseillons de voler en bas de fourchette. Souvenez-vous que vous pouvez toujours rajouter du lest quand les conditions sont plus fortes



DE PRISE EN MAIN

Pour un premier contact des gonflages au sol sont indispensables, ceci afin de découvrir votre Mantra M4. Quelques petits vols en pente école permettront d'ajuster votre équipement. Aussi n'hésitez pas à demander conseil à votre revendeur ou à votre moniteur.

➤ Préparation

Dépliez votre Mantra M4 sur son extradados en la disposant en arc de cercle, en descendant légèrement les bouts d'ailes. Séparer les 2 faisceaux de suspentes droite et gauche. Soulevez un groupe d'élévateurs et assurez vous que les suspentes sont "claires" sans tour ni boucle ni noeud en partant des freins puis les D, les C, les B et enfin les A. Procéder de même avec l'autre groupe d'élévateurs.

Check-list avant décollage

1. Vérifier votre parachute de secours : aiguille du container et poignée du secours.
2. Casque ajusté et sangle d'attache fermée.
3. Toutes les attaches de sangles du harnais fermées. Vérifiez encore les attaches de cuisses.
4. Mousquetons et maillons fermés.
5. Bonne prise des élévateurs avant et poignées de freins.
6. Bord d'attaque ouvert.
7. Positionnez-vous correctement par rapport au vent.
8. Espace libre et bonne visibilité.

➤ Décollage

Vous pouvez gonfler votre Mantra M4 face à la voile ou face à la pente, selon les conditions de vent et l'aspect du décollage.

Pour le gonflage, les deux sangles d'élévateurs A de chaque côté doivent être prises en main.

Une fois harnaché et après avoir vérifié la check-list de décollage, positionnez-vous bien au centre de la voile pour réussir un gonflage homogène et progressif.

Décollage face à la pente par vent faible à nul

Quand le vent est bon (force et direction) avancez, vos suspentes doivent se tendre en deux pas. La Mantra M4 commencera à gonfler immédiatement. Maintenez une pression constante sur les élévateurs jusqu'à ce que l'aile soit au-dessus de votre tête.

A ce stade, ne tirez pas sur les élévateurs, ceci déformerait le bord d'attaque et menacerait le bon déroulement du décollage. Déplacez-vous toujours doucement durant tout le décollage. Il n'y a aucune raison d'accélérer brutalement. Vous devez avoir le temps de vérifier votre voile établie au dessus de vous avant de vous engager définitivement.

Si tout est correct, alors accélérez progressivement pour vous envoler.

Décollage face à la voile par vents faibles à forts

Préparez votre Mantra M4 comme décrit ci-dessus.

Faites face à la voile en effectuant un demi tour en passant le jeu entier d'élévateurs du côté extérieur à votre demi tour au dessus de la tête. Vous pouvez alors gonfler votre Mantra M4 en tirant les A vers et au dessus de vous. Une fois la voile au dessus de votre tête, freinez doucement, retournez vous et décollez.

Par vent fort avancez quelques pas vers la voile pendant le gonflage. Ceci permettra d'absorber une partie de l'énergie du gonflage et vous aidera à éviter d'être dépassé par le bord d'attaque.

IMPORTANT: Nous vous déconseillons vivement d'envisager un décollage avec une aile partiellement gonflée ou avec un contrôle approximatif en roulis et tangage.

Pratiquez encore et toujours intensément les exercices et les gonflages au sol. C'est d'abord très amusant et rien ne vous permettra aussi efficacement d'anticiper et de maîtriser les réactions de votre Mantra M4 en vol. Vous améliorerez votre pilotage ainsi que votre technique de décollage.

➤ Caractéristiques de vol

La Mantra M4 est une aile avec un fort allongement, orientée performance, cross et compétition. Elle est destinée aux pilotes expérimentés qui ont une bonne expérience et compréhension du parapente et du pilotage actif.

Vous remarquerez les bonnes sensations de portance et de glisse de la Mantra M4. Lors de planes, elle reste solide et homogène même accélérée car elle possède une bonne résistance aux fermetures.

La maniabilité de la Mantra M4 est étonnante pour une aile de cet allongement. Nous avons beaucoup travaillé afin d'obtenir une aile qui puisse faire des virages serrés et efficaces car la capacité à exploiter les ascendances est très importante en cross et en compétition.

Pour obtenir le meilleur de votre Mantra M4, nous vous conseillons de prendre en compte les informations suivantes.

➤ Vol normal

En vol bras hauts (trim speed), La Mantra M4 offre la meilleure glisse dans des conditions normales et vous devriez voler à ce régime de vol quand vous êtes vent de dos ou quand votre taux de chute n'est pas trop important.

Pour une meilleure pénétration vent de face et une meilleure performance dans les zones descendantes ou vent de travers, vous devriez voler plus vite qu'en position bras hauts en utilisant votre système d'accélérateur. En l'utilisant à moitié, vous ne dégraderiez pas excessivement la stabilité de l'aile et améliorerez la performance en vol en rejoignant le prochain thermique plus vite et plus haut. Accélérée à fond, La Mantra M4 est stable. Toutefois, nous déconseillons de voler accéléré au maximum près du sol ou en turbulences.

En appliquant près de 30cm de freins, La Mantra M4 sera à son taux de chute minimum. Vous devriez utiliser ce régime de vol en thermique ou en dynamique.

➤ Pilotage actif

Pour limiter les désagréments des fermetures en conditions turbulentes, il est essentiel d'opter pour un pilotage actif. Tous les bons pilotes utilisent les informations que leur envoie leur voile dans la sellette et les freins. Ils ajustent en permanence leur vitesse et contrôlent le tangage pour épouser les mouvements de l'air. Les éléments du pilotage actif sont le contrôle en tangage et le contrôle de la tension des freins.

Si l'aile tend à les dépasser, utilisez les freins pour ralentir et arrêter ce mouvement. De même si l'aile tend à cabrer relevez les mains pour l'accélérer.

Voler en appliquant un peu de freins (environ 20cm) permet d'avoir les informations nécessaires de la voile. En turbulences la pression interne de l'aile peut changer et vous le ressentez à travers les freins. L'objectif est alors de maintenir une pression constante dans ceux-ci. Si vous ressentez une baisse de tension descendez le frein rapidement jusqu'à retrouver la tension de départ puis remontez la main. Il n'est pas nécessaire de voler en permanence avec beaucoup de freins, attention au point de décrochage en restant attentif à votre vent relatif.

Ces mouvements peuvent être symétriques ou asymétriques, vous devez être capable d'agir sur un frein ou les deux en même temps. Ces corrections subtiles permettent à l'aile de glisser et de réduire grandement les chances de fermetures. Tous ces réflexes s'apprennent le mieux en jouant avec votre aile au sol.

IMPORTANT: Aucun pilote, aucune voile n'est à l'abri d'une fermeture. Cependant un pilotage actif éliminera pratiquement toute tendance à fermer. En conditions turbulentes soyez plus actifs et anticipez les mouvements de votre voile. Soyez toujours conscients de votre hauteur et évitez de surpiloter. Nous vous conseillons de garder vos freins en main et de ne pas voler en conditions turbulentes.



➤ Virage

Pour vous familiariser avec La Mantra M4 vous devez effectuer vos premiers virages graduellement et progressivement.

Pour réussir un virage efficace et bien coordonné sous votre Mantra M4, vous devez regarder dans la direction où vous voulez aller, vous penchez dans votre sellette du côté intérieur au virage, puis accompagnez doucement avec le frein du même côté jusqu'à obtenir l'inclinaison en roulis désirée. Pour régler la vitesse et le rayon de ce virage, utilisez le frein extérieur.

IMPORTANT: En vol à vitesse minimum, pensez à relever votre main extérieure pour déclencher votre virage. Vous éviterez alors un départ en vrille (décrochage asymétrique).

➤ Atterrissage

En finale, laissez votre aile voler à la vitesse maxi possible (selon les conditions aérologiques) jusqu'à 1 mètre sol pour freiner progressivement et complètement afin de ralentir jusqu'au décrochage en prenant contact doucement avec le sol en marchant.

Faites attention de ne pas arrondir trop tôt et trop rapidement, vous provoqueriez une ressource suivie d'un atterrissage brutal. Dans le cas d'un freinage trop tôt, évitez de relever les mains mais mettez vous debout afin de vous réceptionner sur vos jambes.

Dans du vent faible à nul l'arrondi doit être complet sur tout le débattement, à l'inverse celui-ci peut être inexistant avec du vent fort. Dans ce cas, vous devez vous retourner face à la voile dès que vos pieds sont au sol pour freiner symétriquement et progressivement votre aile jusqu'au décrochage. Si en s'affalant votre aile vous tire avancez rapidement vers elle (la voile peut être affalée avec les élévateurs C pour limiter l'effet spi).

IMPORTANT: Anticiper toujours votre phase d'atterrissage afin de vous donner assez de marge pour corriger une erreur éventuelle.

En approche, évitez toutes manoeuvres brutales et les virages à fortes inclinaisons.

Utilisez une méthode d'approche efficace et adaptée au terrain et aux conditions aérologiques (PTU, PTS...).

Posez toujours face au vent.

Penser à sortir tôt de votre sellette et ceci surtout en conditions aérologiques mouvementées à l'atterrissage et soyez en léger déséquilibre avant (appui sur la ventrale) lors de l'arrondi.

VOLS AVANCES

➤ Techniques de Descente Rapide

Ozone vous rappelle que ces techniques restent des manoeuvres d'urgence et qu'une formation en école est indispensable pour les maîtriser. N'oubliez pas qu'une bonne analyse des conditions aérologiques et leurs évolutions vous évitera bien des soucis.

➤ Les oreilles

Faire les oreilles accroît le taux de chute de La Mantra M4. C'est une manoeuvre accessible de descente rapide, qui par exemple vous permettra de ne pas rentrer dans un nuage. Pour faire les oreilles, prenez la suspente A extérieure (de l'élevateur A à la plume) le plus haut possible au dessus du maillon et tirez vers le bas symétriquement en gardant les commandes en main et descendez les jusqu'à ce que les extrémités soient fermées. Le pilotage s'effectue alors, uniquement à la sellette. Pour rouvrir les oreilles, relâchez les suspentes A de chaque côté, la réouverture doit se faire automatiquement. Vous pouvez faciliter la réouverture en effectuant un freinage ample d'un côté puis de l'autre.

IMPORTANT: Il est possible d'atterrir avec les oreilles (on lâche les suspentes A de chaque côté avant le freinage final). Ozone vous déconseille de le faire en aérologie turbulente ou ventée près du sol (imprécision du pilotage et

risque de parachutale). Cette technique ne s'improvise pas et nécessite un apprentissage en école.

➤ Oreilles et accélérateur

Une fois les oreilles repliées, vous pouvez encore accroître votre taux de chute en poussant sur l'accélérateur.

Mais ne JAMAIS tenter de faire les oreilles pendant que vous volez accéléré. Cela peut provoquer une importante fermeture asymétrique.

➤ Oreilles et 360

Il est possible de réaliser cette manoeuvre, mais l'effort se reportant sur un nombre de suspentes moindre, on se rapproche des valeurs critiques de résistance.

Ozone déconseille fortement cette technique.

➤ Wing over

La limite étant des virages serrés et inclinés appelés 'wing overs'. Ceux-ci ne doivent pas dépasser 90 degrés d'inclinaison.

IMPORTANT: Mal coordonnés, ces virages peuvent provoquer une fermeture asymétrique importante. Ne jamais faire de wing overs près du sol.

➤ Descendre aux B

Descendre aux B est une manoeuvre de descente rapide d'urgence uniquement.

Pour faire les B, placez vos doigts autour des suspentes des élévateurs B juste au-dessus des maillons. Ne relâchez jamais vos poignées de freins

Si vous descendez trop les suspentes B votre aile se fermera en crevette et s'agitiera dans tous les sens.

Pour sortir de cette descente aux B, relâcher symétriquement et

rapidement les 2 élévateurs B. Votre aile revolera normalement sans autre action de votre part. Vérifiez d'être bien revenu à un vol normal avant de vous servir des freins.

IMPORTANT: Nous recommandons DE NE PAS faire les B sur la Mantra M4. En effectuant les B de la mauvaise façon et/ou en rencontrant des turbulences, les bouts d'ailes vont partir vers l'avant et la manoeuvre devenir instable. Effectuer une spirale rapide est une façon plus sûre de perdre de la hauteur.

➤ 360 engagés

Si vous effectuez une série de 360° engagés vous décrivez une spirale descendante, ce qui aboutit à une perte rapide d'altitude.

Pour commencer une spirale, regardez dans la direction où vous voulez évoluer, inclinez-vous dans votre sellette du côté du virage puis descendez progressivement la commande. La Mantra M4 effectuera un tour complet avant de s'inscrire dans une spirale engagée. Lorsque vous serez engagé dans cette spirale vous devrez appuyer un peu sur le frein extérieur afin de garder la plume extérieure de l'aile gonflée.

Il est possible de chuter à 8 m/s dans une spirale relativement sûre, mais ces vitesses et ces accélérations (force G qui s'applique au poids du pilote) peuvent vous désorienter et vous devez donc surveiller particulièrement votre perte d'altitude.

Pour sortir d'une spirale engagée, remettez vous à plat dans la sellette puis remontez lentement le frein intérieur. Il est important de continuer à tourner pendant la décélération afin de diminuer la ressource en sortie de spirale. En effet une sortie trop brutale d'une spirale engagée entraîne une ressource importante suivie d'une abattée à contrôler. Entraînez vous à sortir progressivement en utilisant le transfert de poids dans votre sellette et le frein extérieur.

La Mantra M4 n'a aucune tendance à la neutralité spirale, néanmoins plusieurs paramètres peuvent interférer sur ce comportement





comme une ventrale trop desserrée, un PTV hors fourchette de poids préconisée ou une spirale très engagée avec un fort taux de chute.

IMPORTANT: Les descentes en spirale peuvent dépasser les 8m/s, elles ne sont pas recommandées. De plus elle peuvent être dangereuses et contraignent inutilement le matériel. Les descentes en spirale désorientent le pilote et demande du temps et de la hauteur pour en sortir et retrouver un régime de vol normal. Vous ne devez jamais effectuer cette manoeuvre près du sol.

INCIDENTS DE VOL

➤ Parachutale

Il peut arriver qu'à à partir d'un relâché très lent d'une descente aux B (par exemple) votre aile continue à descendre sans avancer. Cette configuration de vol s'appelle une phase parachutale.

Il est très improbable que ceci advienne avec une voile Ozone. Mais si vous vous trouviez dans cette situation, relevez complètement les deux freins à la position de vitesse max. Si rien ne se passe après quelques secondes poussez sur les élévateurs A ou appuyez sur l'accélérateur. Assurez vous d'avoir retrouvé un vol normal en vérifiant votre vent relatif avant d'utiliser à nouveau les freins.

IMPORTANT: Quelques cm de freins suffisent pour maintenir la voile en parachutale. Pensez à relâcher vos éventuels tours de freins!

➤ Fermetures

De part sa forme et sa flexibilité, un parapente peut fermer en partie sous l'effet d'une turbulence. Ceci peut aller d'une petite fermeture asymétrique de 30% à une fermeture complète (symétrique).

Si il vous arrivait de subir une fermeture, il faudra vous occuper de votre direction en premier lieu : vous éloigner du relief ou au pire ne pas vous en rapprocher. Pour cela, vous pouvez 'contrer' à la sellette

en chargeant le côté opposé à cette fermeture et par une action modérée avec le frein du même coté. Cette action est dans la plupart des cas suffisante pour garantir une réouverture complète de l'aile.

Une aile partiellement fermée devient effectivement plus petite, donc sa charge alaire et sa vitesse de décrochage augmentent. Cela implique que l'aile partira en vrille ou décrochera avec une action au frein moindre. Ainsi pour stopper ce virage vers le côté fermé, vous devez agir de façon efficace mais en dosant l'amplitude du frein coté ouvert afin de ne pas décrocher celui-ci.

Si la fermeture n'est pas suivie d'une réouverture complète et spontanée, effectuez un freinage sur toute l'amplitude et sans brutalité. Cette action doit être répétée une ou deux fois jusqu'à la réouverture complète.

Pomper par à-coups n'aidera pas à regonfler plus rapidement la partie fermée. Laisser la commande en position basse trop longtemps peut provoquer le décrochage.

En cas de fermetures symétriques, le regonflage se ferait sans intervention du pilote, mais un freinage symétrique de 15 à 20 cm accélérera la réouverture.

Si votre Mantra M4 se ferme alors que vous utilisez l'accélérateur, relâchez immédiatement la pression sur celui-ci pour ralentir jusqu'à la vitesse bras hauts et après 90 degrés de rotation l'aile se rouvrira et retournera en vol normal.

IMPORTANT: Aucun pilote ni aucune aile n'est à l'abri d'une fermeture, néanmoins un pilotage actif éliminera pratiquement toute tendance à fermer.

En aérologie turbulente volez plus lentement. Cette position vous permettra de redonner de la vitesse ou de ralentir votre aile si nécessaire, c'est le contrôle permanent et anticipé du tangage et du roulis.

En cas de fermeture asymétrique pensez à regarder loin devant vous en vous concentrant sur le maintien de la trajectoire. Une fois celle-ci contrôlée occupez vous de la réouverture en regardant le coté fermé (tout en surveillant votre altitude).

Ozone vous conseille de tenir les commandes en dragonne ou avec un tour de frein. Vous améliorez la précision de pilotage, vous ressentez mieux les informations de la voile donc l'anticipation est accrue.

⚡ Cravates

La cravate est caractérisée par un bout d'aile coincée dans le suspentage. Elle peut entraîner une autorotation difficile à maîtriser. La première solution pour s'en débarrasser consistera, tout en conservant sa trajectoire, à tirer amplement la suspente du stabilo (reconnaissable à sa couleur rouge sur les élévateurs C). Si cette technique ne marche pas un décrochage complet sera l'ultime solution. Celui-ci ne peut être envisagé sans une formation adéquate et est à proscrire près du sol.

Enfin, si l'aile devient incontrôlable (rotation qui accélère, etc ...) et que vous ne maîtrisez pas le 'décrochage', l'utilisation de votre parachute de secours devient alors nécessaire.

Une préparation bâclée, la voltige non maîtrisée, un décollage précipité, voler avec du matériel trop performant pour son niveau ou dans des conditions aérologiques trop fortes sont les principales causes de cravates.

⚡ Neutralité spirale

La Mantra M4, n'est ni neutre, ni instable spirale. Toutefois, certains paramètres pourraient interférer sur son comportement: un mauvais réglage de ventrale (ne respectant pas l'écartement préconisé), un PTV en dehors de la fourchette, une spirale engagée entraînant un taux de chute extrêmement important lors de la manoeuvre.

On parle alors de neutralité spirale quand la voile reste en spirale malgré la position mains hautes. Pour en sortir, le pilote devra freiner du côté opposé.

PRECAUTIONS GENERALES

⚡ Pliage

Pour prolonger la vie de votre voile et garder les renforts plastiques en bonne forme, il est très important de prendre grand soin dans le pliage de la voile.

Ozone recommande fortement d'utiliser un pliage en accordéon exactement comme présenté sur les photos, de façon à ce toutes les nervures soient regroupées côte-à-côte sans avoir à plier les renforts plastiques. L'usage du Saucisse pack Ozone rend le pliage plus aisé.

Step 1. Posez votre voile en boule sur le sol ou sur votre Saucisse pack si vous en avez un. Il est préférable de commencer par une voile en boule car cela réduit l'abrasion de l'extrados par frottement sur le sol au niveau des renforts plastiques.



Step 2. Groupez les renforts de bord d'attaque avec les pattes A alignées.





Step 3. Sanglez le bord d'attaque. Tournez la voile sur la cote. Notez que le parapente n'est pas regroupé en deux parties mais en une seule, d'un bout d'aile à l'autre. C'est très important pour ne pas tordre les renforts plastiques des cellules centrales.



Step 4. Groupez les nervures du milieu d'aile, en rassemblant les pattes B.



IMPORTANT: N'étalez pas votre voile à plat sur le sol avant de la regrouper en accordéon, cela risquerait à la longue de causer des dommages par abrasion sur le tissu de l'extrados, au niveau des renforts plastiques. Toujours rassembler sa voile en bouchon avant de commencer le pliage en accordéon du bord d'attaque.



=



Important: ne repliez pas votre voile en deux par le milieu mais regrouper toute la voile en accordéon complet d'un bout d'aile à l'autre avant de la rentrer dans le sac.

Step 5. Fermez le zip sans coincer du tissu ou des suspentes



=



Step 6. Faites le premier pliage au bout des renforts avants. Ne pas plier les renforts plastiques. Replier en 3 autour du bord d'attaque.



PRECAUTIONS GENERALES

Les parapentes sont trop souvent abîmés par un mauvais maniement au sol. Voici quelques conseils pour l'éviter et prolonger ainsi la durée de vie de votre aéronef :

- Ne JAMAIS traîner son aile sur le sol, d'un point de décollage à un autre par exemple. Ceci abîme le tissu de votre aile. Elever absolument toute votre aile en corolle au dessus du sol pour vous déplacer.
- Ne JAMAIS gonfler votre aile dans un vent soutenu avant d'avoir soigneusement démêler toutes les suspentes. Ceci soumet vos suspentes à un effort violent et inutile.
- Ne JAMAIS marcher sur vos suspentes.
- Ne JAMAIS gonfler votre aile pour la laisser retomber sur son bord de fuite de façon répétée. Essayez de maîtriser cette manœuvre pour la rendre plus douce en vous avançant vers votre aile quand elle retombe au sol.
- Ne JAMAIS laisser retomber votre bord d'attaque contre le sol! Cette erreur contraint à de violents efforts toute votre voile et ses coutures et peut même provoquer la déchirure de nervures.
- Une pratique intensive du gonflage en vent fort, du vol en atmosphère saline, en milieu agressif (rocher, sable, vent) accentue le vieillissement.

Il est important de vérifier régulièrement votre Mantra M4 très soigneusement et rigoureusement, surtout après un usage intensif ou une longue période d'hivernage.

➤ Rangement

Ranger toujours votre aile et votre équipement dans un endroit sec. Aussi, votre aile doit être stockée sèche, et à l'abri d'une chaleur excessive. Chaleur et humidité sont les facteurs de vieillissement les plus aggravants (exemple à proscrire: voile utilisée sous la pluie et stockée dans le coffre de la voiture au soleil).

Sécher votre aile en la laissant à l'ombre dans un endroit très aéré. Ne jamais essayer d'accélérer le séchage avec un sèche cheveux ou

autres!

Si votre aile tombe dans l'eau de mer, il est nécessaire de la rincer à l'eau claire puis de la faire sécher.

Ne JAMAIS laisser d'insectes sur votre voile et la plier ainsi. En voulant s'échapper ils provoqueraient des trous dans le tissu.

➤ Nettoyage

Toute forme de frottement risque d'endommager l'enduction du tissu. Nous recommandons pour nettoyer d'éventuel saleté sur votre aile, de n'utiliser qu'un chiffon doux imbibé d'eau douce et de procéder, sans appuyer fortement, par petite surface.

Ne jamais passer votre aile en machine ou utiliser de détergent.

➤ Réparation

Il est conseillé de vous adresser à un spécialiste agréé par Ozone. N'oubliez pas qu'une mauvaise réparation peut causer plus de mal que de bien.

Si la déchirure est de faible taille, vous pouvez entreprendre de la réparer vous même. Vous trouverez dans le kit de réparation les matériaux nécessaires à cela. Pour un accroc sur le tissu Porcher utiliser du ripstop autocollant.

Dans le cas où vous endommagez ou cassez une suspente, il est conseillé de la faire remplacer par une suspente fournie par Ozone (commande de suspentes individuelles www.flyozone.com) ou par votre revendeur. Il est important que la suspente de remplacement soit du même matériel, de même résistance et de même longueur. Vous pourrez vérifier la symétrie en comparant la suspente à celle qui se trouve du côté opposé. Enfin, il sera prudent d'effectuer quelques gonflages de vérifications avant de voler.

➤ Astuces

- Votre voile Ozone est équipée d'un velcro au niveau du bord de fuite/stabilo permettant de vider l'aile (sable, feuilles...).



- N'hésitez pas à vous en servir.
- Si vous volez avec des tours de freins, penser à dé-toroner vos drisses de freins très régulièrement. En effet beaucoup de torons peuvent générer une action permanente sur le bord de fuite et avoir des conséquences. (mauvais gonflage, aile ne volant pas droit...).
- La suspente principale de freins doit être changée dès qu'elle présente un quelconque signe d'usure ou d'endommagement.

REVISION

Votre voile comme votre voiture doit être suivie techniquement afin de préserver le plus longtemps possible ses qualités de vol et de sécurité.

Si vous voulez vendre votre Mantra M4, vous devez fournir à l'acheteur un certificat de révision récent.

Votre voile doit être révisée par un professionnel qualifié au bout de 24 mois pour la première fois, puis tous les 12 mois par la suite.

Si vous volez fréquemment (plus de 100 heures par an), alors nous vous recommandons de faire réviser votre aile à l'issue de chacune de vos saisons de vols.

Le professionnel en charge de la révision devra vous informer de l'état général de votre aile, et si un ou plusieurs éléments demandent à être remplacé avant la prochaine révision.

Le vieillissement de la voile et des suspentes étant différent, le changement partiel ou complet du suspentage est envisageable au cours de la vie du parapente. D'où l'importance de la révision qui détaille le niveau d'usure de chaque composants de votre aile. La révision de votre aile doit être réalisée par un professionnel qualifié, compétent et reconnu par la société Ozone.

Vous êtes responsable de votre matériel, prenez en soin et une in-

spection visuelle régulière (lors du pliage par exemple) vous permet de suivre l'évolution de votre matériel. Soyez aussi attentif aux changements de comportement en vol de votre aile (vitesse plus faible, phases parachutales, décrochage en virage, mauvais gonflage...). La révision de votre Mantra M4 s'effectue obligatoirement sur plusieurs points.

La porosité

On mesure à l'aide d'un porosimètre (marque JDC) le temps que met un volume d'air défini pour passer à travers le tissu. Le temps en secondes est la mesure que l'on utilise pour les valeurs de porosité.

La mesure est effectuée sur l'extrados et l'intrados en différents points de la voile. En extrados, le long de l'envergure de l'aile juste derrière le bord d'attaque.

La résistance à la déchirure du tissu

Un test de non-destruction suivant la norme TS-108 pour les parachutes de saut est effectué.

La résistance des suspentes

Les suspentes centrales (les plus sollicitées) sur les A, B, C et D au niveau des suspentes basses, intermédiaires et hautes sont testées.

Elles sont installées individuellement sur un banc de traction. La traction a lieu sur la longueur totale de la suspente jusqu'à rupture, la valeur de rupture est mesurée. La valeur minimum est 8G pour toutes les suspentes A + B et 6G pour le reste des suspentes, calculée à partir du PTV maximum homologué du modèle. Même chose pour les suspentes intermédiaire et les suspentes hautes.

Si la valeur de rupture est trop proche de la valeur minimum calculée, contrôleur devra proposer un délai maximum avant re-vérification de la suspente concernée..

Longueur des suspentes

Le contrôleur vérifie la longueur totale des suspentes (basse, intermédiaire, haute) sous une traction de 5 DAN.

L'écart maximum accepté, entre la longueur mesurée et la longueur théorique, est de +/- 10 mm.

Le changement le plus couramment observé est un léger allongement des suspentes avant et un faible rétrécissement des suspentes arrières. Les conséquences peuvent être : vitesse de vol plus faible, point dur au gonflage, ...

Contrôle complet

Un vol de contrôle durant lequel un pilote professionnel expérimenté reconnu par la société Ozone vérifiera le comportement de l'aile dans et hors du domaine de vol.

Un contrôle visuel plus approfondi (toutes les suspentes, pattes d'attache, coutures, cloisons, intrados, extrados.) est également effectué.

IMPORTANT: Le respect de votre matériel et des révisions périodiques vous garantissent des heures de plaisir en vol l'esprit libre.



LA VOLTIGE / SIV

La Mantra M4 est une voile de cross – country de haute performance et n'est pas destinée aux manœuvres d'acrobatie.

A cause du positionnement des pattes d'attache, une fermeture provoquée ne simulera pas fidèlement une fermeture en conditions réelles. Ozone recommande fortement de ne pas effectuer de manœuvres de SIV comme les fermetures symétriques et asymétriques sur cette voile. Afin de réaliser correctement ces figures il est nécessaire d'ajouter des suspentes spéciales reliées au bord d'attaque et celles-ci doivent être montées très précisément.

IMPORTANT: Ozone déconseille fortement d'effectuer des fermetures accélérées provoquées (symétriques ou asymétriques) avec cette voile.

TREUIL

La Mantra M4 peut être treuillée. Le pilote doit s'assurer que les attaches de harnais, le système de largage, le treuil et ses équipements sont homologués. L'opérateur du treuil doit être qualifié et doit respecter toutes les procédures et règles nécessaires. Les pilotes pratiquant cette méthode de décollage doivent y être formés et qualifiés.

La traction ne doit jamais être exercée avant que la voile ne soit parfaitement au-dessus de la tête du pilote. La force de traction ne doit pas dépasser le poids du pilote.

MODIFICATION

Votre Mantra M4 a été conçue, fabriquée et réglée dans les règles de l'art afin de parvenir au meilleur compromis performances/maniabilité/sécurité. Nous vous déconseillons fortement d'entreprendre toutes modifications. Celles-ci entraîneraient la perte de l'homologation et une difficulté de vol.

IMPORTANT: Ne modifiez votre voile sous aucun prétexte.





QUALITE OZONE

La qualité de nos produits est un paramètre que nous prenons très au sérieux, et nous mettons tout en oeuvre pour que nos produits sortent de notre usine de fabrication, respectant les plus haut standards de qualité. Chaque aile fabriquée doit passer une série de contrôle plus stricte les uns que les autres, et tous les éléments qui la compose peuvent être suivie individuellement. Nous sommes toujours intéressés par des retours d'informations à propos de nos produits et nous voulons offrir le meilleur service possible à nos clients. Nous ne parlons pas de garantie dans ce manuel car nous proposons de prendre en charge tous problèmes qui ne seraient pas causés par l'usure normale des matériaux, ni les avaries liées à un mauvais entretien ou liées à une utilisation non conforme au cahier des charges de La Mantra M4. Si vous avez un problème avec votre aile, contacter votre revendeur Ozone qui trouvera la solution la plus appropriée. Si vous n'arrivez pas à prendre contact avec votre revendeur, alors vous pouvez nous contacter directement à info@flyozone.com.

GARANTIE OZONE

Ozone garantit tous ses produits contre les défauts de fabrication. Ozone réparera ou remplacera tout produit défectueux gratuitement.

Ozone et ses distributeurs fourniront la meilleure qualité possible de service et de réparation et les réparations liées à l'usure naturelle seront facturées à un coût raisonnable.

CONSEILS GENERAUX

La prudence est la raison d'être de notre sport. Afin de voler en sécurité, vous devez vous entraîner, étendre votre expérience et prendre conscience de tous les dangers environnants. Pour y parvenir vous devez voler régulièrement, vous former, vous exercer au sol le plus possible et vous intéresser à la météo. Si vous négligez une de ces règles, vous vous exposez alors à plus de risques.

Le vol demande des années d'apprentissage, la progression est sans fin. L'expérience se construit lentement, ne brûlez donc pas les étapes en vous "mettant la pression". Vous avez toute votre vie pour apprendre et il n'y a pas d'âge pour voler très bien. Si les conditions ne sont pas bonnes, repliez et rentrez chez vous, demain sera un autre jour.

Ne surestimez pas vos compétences, soyez honnête avec vous même. Et n'oubliez jamais qu'il vaut mieux être au sol en rêvant d'être en l'air que de se retrouver en l'air en regrettant de ne pas être resté au sol!

Tous les ans de trop nombreux pilotes se blessent en décollant. Ne les imitez pas! Le décollage est la phase durant laquelle le pilote est le plus exposé aux dangers. Entraînez-vous donc le plus possible. Certains décollages sont difficiles, étroits, aux conditions délicates. Si vous pratiquez au sol gonflages et manipulations, vous ferez la différence. Vous serez moins exposés aux risques et mieux préparés pour profiter des bonnes journées de vol.

Le travail au sol est aussi une forme de vol qui vous rendra plus sensible et plus réactif aux informations que vous transmet votre aile.

Enfin, faites preuve du plus grand respect pour la météo: Les éléments ont une force que vous pouvez à peine imaginer. Définissez vos limites et tenez-vous en à ce créneau.

Bons vols sous votre Mantra M4.
Team Ozone

MANTRAM 4





Danke, dass du dich für einen Ozone Mantra M4 entschieden hast. Wir bei Ozone als ein Haufen "Flugverrückter" haben uns zum Ziel gesetzt Gleitschirme zu bauen, die ein agiles, leichtes Handling mit Top-Leistung vereinen und dir dennoch maximale Sicherheit bieten.

Unsere ganze Entwicklung, die Versuche und Tests sind darauf ausgerichtet, das beste Handling bei grösstmöglicher Sicherheit zu erreichen, denn das Vertrauen in deinen Gleitschirm ist beim Fliegen weit wichtiger als jeder kleine Leistungsgewinn. Wenn du Piloten fragst, die mit unseren Schirmen auf Abenteuer Touren waren oder Wettbewerbserfolge gefeiert haben, werden sie dir das bestätigen.

Unser Entwicklerteam hat sein Hauptquartier im sonnigen Südfrankreich. Die nächsten Fluggebiete sind Gourdon, Monaco, Lachens und viele mehr: Mehr als 300 fliegbare Tage im Jahr ermöglichen uns perfekte Test- und Entwicklungsarbeit und garantieren dir, dass du ein in der Praxis erprobtes Produkt erhältst.

Der Kauf eines neuen Gleitschirmes bedeutet für jeden Piloten eine große Investition. Wir wissen das und weil die Qualität und das Preis-Leistungs-Verhältnis bei dieser Entscheidung von erheblicher Bedeutung sind, werden die Ozone Gleitschirme in unserer eigenen Produktionsstätte hergestellt. So halten wir die Kosten niedrig und können garantieren, dass alle unserer Produkte die Qualität haben, die wir selbst auch erwarten würden.

Vor jedem Flug musst du dich vergewissern, ob es eine aktuelle Sicherheitsmitteilung für den Mantra M4 gibt. Alle Sicherheitsmitteilungen werden unter www.flyozone.com veröffentlicht.

Viel Spaß beim Fliegen,
dein Ozone Team

ACHTUNG

Jede Form von Flugsport ist gefährlich und kann zu körperlichen Verletzungen oder zum Tode führen. Als Besitzer dieses Ozone Mantra M4 übernimmst du die Verantwortung für alle Risiken, die mit seinem Gebrauch verbunden sind. Unsachgemässer Gebrauch und / oder Missbrauch deiner Ausrüstung kann dieses Risiko verstärken.

Fliege vorsichtig!

Informiere dich bevor du startest über das Gelände und die Wetterbedingungen in deinem Fluggebiet. Starte nie, wenn du dir nicht sicher bist, und treffe deine Entscheidungen stets mit grosser Sicherheitsreserve.

Verwende nur Gleitschirme, Gurtzeuge mit Protektor und Rettungsgeräte, die eine Zulassung besitzen und verwende diese auch nur innerhalb ihres zugelassenen Gewichtsbereiches.

Trage stets einen geeigneten Helm, Handschuhe und geeignete Schuhe.

Fliege nur, wenn du einen gültigen Flugschein für das betreffende Land besitzt und eine Haftpflichtversicherung hast.

Vermeide es, mit deinem Gleitschirm bei Regen, Schnee, starkem Wind, Nebel oder turbulenten Wetterbedingungen zu fliegen.

Wenn du stets gewissenhaft und ehrlich entscheidest wirst du das Fliegen viele Jahre lang geniessen können.

ÜBER OZONE



Jeder Ozone-Mitarbeiter wird durch seine Leidenschaft zum Fliegen und die Abenteuerlust angetrieben. Unser Anspruch ist es, durch innovative Gleitschirmentwicklung bessere, sicherere und vielseitigere Schirme zu konstruieren. Die Entwicklungsabteilung wird vom stets mitdenkenden David Dagault geleitet. Stillstand ist für ihn ein Fremdwort. Er hat sehr viel Erfahrung sowohl im Wettkampf- als auch im Abenteuerfliegen und im Design von Gleitschirmen. Zum Entwicklungsteam gehören Russell Ogden und Luc Armant.

Russ ist ein erstklassiger Wettbewerbspilot und ehemaliger Gleitschirmler. Man trifft ihn meistens beim Testen von Dav's neusten Kreationen an. Luc ist ein leidenschaftlicher XC Flieger und kommt aus dem Schiffsbau. Er bringt viel Wissenswertes und Ideen mit in das Design Team und arbeitet eng mit Dav zusammen.

Im Büro hält Mike "der Boss" Cavanagh die Fäden fest in der Hand. Unsere Team Piloten werden von Matt Gerdes betreut. Karine Marconi und Jill Devine passen auf, dass wir nicht zuviel Geld ausgeben und wenn du bei uns anrufst sind sie für dich da.

Unsere Produktionsstätte in Vietnam wird von Dr. Dave Pilkington geleitet. Er ist für die gesamte Produktion unserer Gleitschirme und Prototypen verantwortlich und ist parallel stets auf der Suche nach neuesten Materialien und Produktionsprozessen für unsere zukünftigen Produkte. Er wird von Ngan und mehr als 400 Mitarbeitern unterstützt.



DEIN MANTRA M4

Der Mantra M4 wird den erfolgreichen Mantra M3 ersetzen, aber er hat viele Charakteristiken seines Vorgängers behalten. Er profitiert zudem unmittelbar von den Lernerfahrungen während der Entwicklung des BBHPPs und dem alles gewinnenden Mantra R10. Der Mantra M4 vereint viele der Technologien, die in diese Schirme einfließen um die Serienklasse auf einen neuen Leistungs-Level zu bringen.

Unsere Mission war es, nicht nur den leistungsstärksten zugelassenen Schirm zu entwickeln, sondern einen Flügel, der auch einfach zu fliegen ist und richtig Spaß macht. Wir wollten keinen runtergetuneten Wettbewerbsschirm, der unbequem und anspruchsvoll ist. Wir wollten einen Schirm, der einfach Spaß macht und bis zu seinem vollen Potenzial ausgefliegen werden kann, sogar bei anspruchsvollsten Bedingungen.

Der M4 vermittelt ein feines, komfortables Gefühl bei einem außergewöhnlichen Handling. Eine sorgfältig gemäßigte Überarbeitung der Segelspannung und Anordnung der Aufhängepunkte filtern das Feedback auf eine feine, koordinierte Weise, die einfach zu verstehen und umzusetzen ist ohne dabei zu dominant oder ermüdend zu sein. Das kommt langen turbulenten Flügen zu Gute. Entsprechend unserer Philosophie von wahrer Leistung kann der Mantra M4 im gesamten Geschwindigkeitsbereich geflogen werden und behält immer ein hohes Maß an Effizienz und Solidität bei, sogar in turbulenter Luft.

Die Leistungssteigerung wurde nicht durch eine erhöhte (übertriebene) Streckung erzielt, sondern durch Fokussieren auf Effizienz. Wir haben den Gesamtwiderstand verringert, indem wir die Leinendurchmesser optimiert und den Profilwiderstand reduziert haben. Der Mantra M4 wurde direkt aus dem R10 entwickelt. Um das Leistungsniveau von Wettbewerbsflügeln in die Serienklasse zu bringen, vereint der M4 das effizienteste Profil mit der fortschrittlichsten Zellen-Schnitt-Technik, die je bei einem zertifizierten Schirm verwendet wurde.

Der Mantra M4 ist nur für sehr erfahrene, kompetente Piloten geeignet, die im Jahr mehr als 100 Stunden fliegen und die ein gutes Verständnis von SIV mit stark gestreckten Flügeln haben. Er wurde für die anspruchsvollsten Piloten entwickelt, die für XC/Wettbewerbsflüge wahre Leistung brauchen mit dem Komfort und der Absicherung der EN D Zulassung.

➤ Rucksack

Der Rucksack ist bequem und praktisch (gepolsterter Hüftgurt, ergonomisch verstellbare Schultergurte). Er bietet ausreichend Platz für deine Ausrüstung und ist dank der bequemen, ergonomischen Passform auch für einen Fußmarsch geeignet. Wir haben oben und seitlich zusätzliche Taschen angebracht, in denen Kleinkram verstaut werden kann.

➤ Steuerleinen

Die Länge der Steuerleinen ist während der Entwicklung genau vorgegeben und sollte nicht verkürzt werden. Wir halten es für einen Vorteil, wenn die Steuerleinen etwas länger sind und man "gewickelt" fliegen kann (Steuerleinen ein halbes Mal um die Hand gewickelt). Wenn du trotzdem vorhast, die Länge der Steuerleinen zu ändern, dann achte bitte auf Folgendes:

- beide Steuerleinen müssen gleich lang sein
- wenn die Steuergriffe entfernt werden, stelle sicher, dass die Steuerleinen durch die Bremsrollen geführt sind
- wenn man die Steuergriffe im Flug loslässt, müssen die Steuerleinen locker sein. Die Leinen müssen einen sichtbaren "Bogen" machen um sicher zu sein, dass keine Verformung der Austrittskante da ist.
- es muss mindestens 10 cm "Spiel" bleiben, bevor die Steuerleinen anfangen, die Austrittskante zu verformen - damit ist garantiert, dass bei Benutzung des Speedsystems, der Flügel trotzdem sauber bleibt.

WICHTIG: Falls ein Steuerleine reißt oder sich vom Steuergriff löst, kann der Mantra M4 durch leichtes Ziehen der hinteren Tragegurte (C-Tragegurte) gesteuert werden.

➤ Tragegurte

Der Mantra M4 hat ein 3-Tragegurt System. Jeder Tragegurt ist farblich gekennzeichnet.

Die A-Tragegurte sind GRAU.

Die B und C tragegurte sind SCHWARZ

➤ Speedsystem (Beschleuniger)

Um am Boden die richtiger Länge des Speedsystems einzustellen, sollte am besten ein Freund die Tragegurte hochheben, während du in Flugposition in deinem Gurtzeug sitzt. Stelle die Länge des Speedsystems so ein, dass die Stange knapp unter deinem Sitz hängt. Du solltest mit deinem Fuss locker an das Speedsystem kommen.

Das Speedsystem sollte so eingestellt sein, dass es im Normalflug auf keinen Fall die A-Tragegurte verkürzt, aber auch nicht so lang, dass man den vollen Weg nicht benutzen kann.

Wenn man seinen Fuss in der Schlaufe lässt und voll durchdrückt, dann verwendet man etwa die Hälfte des Wegs. Für den Normalgebrauch reicht das vollkommen aus. Falls du noch schneller fliegen willst, dann kannst du die Stange mit den Füßen durchdrücken. Maximum Geschwindigkeit ist erreicht, wenn sich die zwei Rollen an den A-Tragegurten berühren.

Beim ersten Testflug mit Speedsystem ist es wichtig zu überprüfen, ob beide Seiten gleichmässig gezogen werden. Wenn nicht, kann man die Feinabstimmung am Boden machen.

WICHTIG: Durch die Benutzung des Speedsystems kannst du besser gegen den Wind vorankommen. Das Speedsystem verkleinert den Anstellwinkel des Schirms, was wiederum das Risiko von Klappern erhöht. Setze das Speedsystem nicht in Bodennähe ein.

Wir empfehlen, dass man das Speedsystem auch nicht in turbulenter Luft verwendet. Piloten mit wenig Erfahrung sollten das Speedsystem erst einsetzen, nachdem sie sich mit dem Mantra M4 in der Luft vertraut gemacht haben. Alle unsere Schirme sind mit Speedsystem entwickelt und getestet. Die meisten Piloten verwenden jedoch kaum die volle Geschwindigkeit vor allem nicht bei turbulenten Bedingungen.

➤ Geeignete Gurtzeuge

Der Mantra M4 wurde für alle Gurtzeuge der Gurtzeuggruppe GH (= alle Gurtzeuge ohne starre Kreuzverspannung) zugelassen. Für Gurtzeuge der Gurtzeuggruppe GX (= alle Gurtzeuge mit starrer Kreuzverspannung) haben wir den Mantra M4 nicht zugelassen. Diese Gurtzeuge können sowohl das Handling als auch einzelne Bereiche des sicherheitsrelevanten Flugverhaltens ungünstig beeinflussen. Nicht zugelassen sind auch Spezialgurtzeuge, die nur im Zusammenhang mit bestimmten Gleitschirmtypen geflogen werden dürfen, wie zum Beispiel festverbundene Steuergurtzeuge.

Zu welcher Gurtzeuggruppe ein Gurtzeug gehört ist auf der Musterzulassungsplakette vermerkt. Praktisch alle modernen Gurtzeuge gehören zur Gurtzeuggruppe GH.

Einstellung eines Gleitschirm-Gurtzeugs mit variabler Kreuzverspannung: Je mehr die Kreuzverspannung angezogen ist, desto weniger lassen Turbulenzen im Flug den Piloten im Gurtzeug zur Seite kippen. Je mehr die Kreuzverspannung geöffnet ist, desto mehr hat der Pilot die Möglichkeit durch Gewichtverlagerung die Steuerung des Gleitschirms zu unterstützen.

Um deine Flüge zu geniessen, solltest du dich in deinem Gurtzeug wohl fühlen. Deshalb empfehlen wir, dass du dir ausreichend Zeit nimmst, verschiedene Einstellungen an deinem Gurtzeug zu testen. Es lohnt sich wirklich und du wirst sicher mehr Spass in der Luft haben. Das Tuning wird an den Schulter- und Beingurten vorgenommen. Achte darauf, dass du die Schultergurte nicht zu fest ziehst, es könnte sonst sein, dass du nach dem Starten schwer zum Sitzen kommst. Die Idealposition ist dann erreicht, wenn du mit deinem Rücken leicht nach hinten gelehnt bist.

Der Brustgurt sollte bei allen Größen zwischen 42 und 46cm eingestellt sein (Mitte Tragegurt bis Mitte Tragegurt). S Größen sind zugelassen mit 42cm Brustgurt, die M und ML Größen bei 44cm und L bei 46cm.



➤ Fluggewicht

Jeder Mantra M4 ist für einen bestimmten Gewichtsbereich zugelassen.

Die Zulassung besteht nur innerhalb des angegebenen Gewichtsbereiches. Mittig ist perfekt. Wenn dein Fluggewicht genau zwischen zwei Grössen liegen sollte, dann kann dir die nachfolgende Information vielleicht ein bisschen bei der Wahl deines Schirms helfen. Wenn du an einer höheren Geschwindigkeit, präzisiertem Handling interessiert bist und du hauptsächlich in den Bergen und/oder bei starken Bedingungen unterwegs bist, sollte dein Fluggewicht an der oberen Gewichtsgrenze liegen. Piloten, die häufig im Flachland oder bei schwachen Bedingungen unterwegs sind, sollten im unteren Bereich der Gewichtsspanne fliegen. Bei starker Thermik kann man jederzeit Ballast mitnehmen.

LOS GEHT'S

➤ Erster Flug

Um dich mit deinem neuen Gleitschirm vertraut zu machen, ist es sinnvoll, Aufziehhübungen und kurze Flüge am Übungshang zu machen. Dabei kannst du auch deine Ausrüstung optimal einstellen. Solltest du irgendwelche Zweifel haben, dann nimm bitte Kontakt mit deinem Händler oder Fluglehrer auf.

➤ Vorbereitung

Lege die Eintrittskante des Mantra M4 in Bogenform aus, die Mitte am höchsten. Sortiere zunächst die Leinen auf einer Seite. Halte dazu den Tragegurt hoch und beginne mit der Bremsleine, sie muss vollkommen frei sein. Wiederhole das mit den C, B und A-Leinen und lege dabei die sortierten Leinen auf die bereits sortierten. Vergewissere dich, dass sich keine Leinen kringeln, verhängen, Schlaufen bilden oder einen Knoten haben. Danach sortierst du die andere Seite genauso.

Checkliste vor dem Start

1. Checke den Rettungsschirm - Splint gesichert und Griff fest
2. Helm auf und geschlossen
3. Alle Schlösser am Gurtzeug zu - checke nochmals die Bein schlaufen
4. Karabiner und Schäkel geschlossen
5. Leinen sortiert
6. Eintrittskante offen
7. Wind von vorne
8. Luftraum frei und gute Sicht.

➤ Starten

Den Mantra M4 kannst du sowohl vorwärts als auch rückwärts starten.

Zum Aufziehen des Schirms solltest du beidseitig alle A Tragegurte benutzen. Wenn du dich eingehängt hast, gehe vor dem Start noch mal die Checkliste (siehe oben) durch. Du solltest sicherstellen, dass du dich in der Schirmmitte befindest, damit der Schirm gleichmässig und progressiv aufsteigen kann.

Vorwärtsstart - null bis leichter Wind

Warte ab bis der Wind passt. Bewege dich dann ein oder zwei Schritte vorwärts, so dass sich die Leinen straffen. Der Mantra M4 wird sofort beginnen sich zu füllen. Bringe einen gleichbleibenden Zug auf die A-Gurte bis die Kappe über dir steht.

Achte darauf, dass du dabei nicht die Tragegurte herunterziehst oder zu intensiv drückst, sonst verformt sich die Eintrittskante, was dir den Start unnötig erschwert.

Du brauchst nicht zu rennen, es reicht wenn du dich während des ganzen Startvorgangs gleichmässig nach vorne bewegst. Nimm dir genügend Zeit für einen Kontrollblick, bevor du dich endgültig entscheidest zu starten.

Wenn der Mantra M4 gefüllt und sauber über dir steht, beschleunige gleichmässig und starte.

Rückwärtsstart - Leichter bis starker Wind

Lege deinen Mantra M4 wie für den Vorwärtsstart aus. Drehe dich diesmal aber mit dem Gesicht zum Schirm, indem du einen kompletten Tragegurt über deinen Kopf hebst während du dich umdrehst. Nun kannst du den Mantra M4 an den A-Gurten aufziehen. Wenn der Schirm über dir ist, bremse ihn leicht an, drehe dich um und starte.

Denke daran, dass es bei stärkerem Wind sein kann, dass du ein paar Schritte auf den Schirm zugehen musst, während du ihn aufziehst. Dadurch nimmst du etwas Energie aus der Aufziehbewegung und der Schirm wird weniger überschossen.

WICHTIG: Starte niemals mit einem Gleitschirm, der nicht ganz gefüllt ist oder wenn du das Nicken und Rollen des Schirms nicht vollkommen unter Kontrolle hast.

Übe so viel am Boden wie du nur kannst! Es macht nicht nur Spass, du wirst auch ein viel besseres Gefühl für die Flugcharakteristik des Mantra M4 bekommen. Du wirst dadurch auch mehr Freude am Fliegen finden, indem du lernst, sicherer und besser zu starten.

Flugeigenschaften

Du wirst mit dem Mantra M4 keine unangenehmen Überraschungen erleben. Das "aktive Fliegen" solltest du jedoch perfekt beherrschen und ein routinierter Pilot sein, wenn du mit dem Mantra M4 fliegst.

Wie der LTF-Testbericht zeigt, hat der Mantra M4 ein der LTF/EN Kategorie D entsprechendes Wiederöffnungsverhalten.

Du solltest deshalb die folgenden Informationen beachten: Bis zur Hälfte des Beschleunigungswegs wird die Gleitleistung und Stabilität nicht viel schlechter. Mehr beschleunigen bringt mehr Risiken.

Normalflug

Maximale Gleitleistung wird ungebremst und ohne Beschleuniger erreicht. Bei Rückenwind oder bei null Sinken solltest am besten in dieser Position gleiten. Beim Gleitflug gegen den Wind, quer zum Wind oder in sinkender Luft, solltest du den Beschleuniger benutzen. Bis zur Hälfte des Beschleunigungswegs ist möglich, ohne dass dabei die Gleitleistung und Stabilität viel schlechter werden. Damit kommst du schneller und höher in der nächsten Thermik an. Auch voll beschleunigt bleibt der Mantra M4 relativ stabil. Wir raten trotzdem vom beschleunigten Flug in Bodennähe ab. Minimum Sinken wird mit ca. 30 cm gezogener Bremse erreicht. Wir empfehlen daher diese Geschwindigkeit für das Thermikfliegen und Soaren.

Aktives Fliegen

Alle guten Piloten reagieren auf die Informationen, die sie von ihrem Schirm bekommen und verändern stets ihre Geschwindigkeit und den Anstellwinkel, um so effizient und so stabil wie möglich zu fliegen. Wenn der Gleitschirm nach vorne anfährt, bremse ihn leicht an. Wenn der Schirm hinter dich gerät, gib die Bremsen frei, um ihn wieder etwas zu beschleunigen. Diese Reaktionen können symmetrisch oder asymmetrisch sein, es werden also beide oder auch nur eine Bremse benutzt. Durch diese feinfühligsten Steuerreaktionen hältst du deinen Gleitschirm stabil und genau über dir. Man kann diese Fähigkeiten auch erlernen, indem man viel Bodenhandling trainiert.



Leicht angebremsstes Fliegen gibt ein gutes Feedback und bietet dir eine schnellere und bessere Reaktionsmöglichkeit.

➤ Kurvenflug

Um dich mit dem Verhalten des Mantra M4 vertraut zu machen, solltest du deine ersten Kurven vorsichtig einleiten und zunehmend steigern.

Für einen effizienten und koordinierten Kurvenflug solltest du zuerst in die Richtung blicken, in die du drehen willst und dann dein Gewicht auf diese Seite verlagern. Leite eine Kurve immer erst mit Gewichtsverlagerung ein und ziehe dann dosiert an der Bremse, bis du die richtige Schräglage hast. Die kurvenäussere Bremse kannst du einsetzen, um die Geschwindigkeit und den Radius der Kurve zu variieren.

Achtung: Leite niemals eine Kurve ein, wenn du mit minimaler Geschwindigkeit fliegst (z.B. mit maximalem Bremsseinsatz), da du sonst einen einseitigen Strömungsabriss (Trudeln) riskierst.

➤ Landen

Der Mantra M4 hat kein ungewöhnliches Landeverhalten. Trotzdem, hier ein paar Tipps zur Erinnerung.

Plane deine Landung immer frühzeitig, halte dir dabei viele Möglichkeiten mit einem grossen Handlungsspielraum offen.

Wenn du weniger als 30 Meter Höhe über Grund hast, solltest du enge Kurven vermeiden, da dein Gleitschirm immer in die Normallage zurückpendeln muss. Wenn du zu niedrig bist oder ins Sinken kommst, könntest du den Boden härter berühren als nötig.

Lasse deinen Gleitschirm stattdessen im Endanflug geradeaus und mit Trimmgeschwindigkeit fliegen bis du etwa einen Meter über dem Boden bist. Ziehe die Bremsen dann langsam und progressiv, um den Gleitschirm auszuflaren und sanft auf deinen Füßen zu landen.

Achte darauf nicht zu stark und zu schnell zu flaren, da dein Gleitschirm wieder ein Stück steigen könnte bevor die Strömung abreisst. Wenn das passieren sollte, lass die Bremse nicht komplett frei. Du solltest die Bremsleinen auf etwa halbem Bremsweg halten, dich aufrichten und laufbereit sein. Bremse voll durch, wenn du den Boden erreichst. Vor der Landung solltest du deinen Körper nach vorne lehnen so, dass dein Gewicht auf dem Brustgurt liegt (besonders wenn es turbulent ist).

Landung immer gegen den Wind!

Bei leichtem Wind musst du stark, lange und progressiv flaren, um deine Geschwindigkeit gegenüber Grund so weit wie möglich zu verringern. Bei starkem Wind ist deine Vorwärtsgeschwindigkeit gegenüber dem Boden bereits so gering, dass du erst kurz vor dem Aufsetzen flaren musst.

Bei starkem Wind musst du dich gleich, nachdem deine Füsse den Boden berühren, auf deinen Gleitschirm zudrehen. Ziehe die Bremsen dann symmetrisch und gleichmässig durch, um den Flügel zu stallen. Wenn der Gleitschirm zu stark zieht, laufe mit ihm.

Wenn du bei sehr starkem Wind das Gefühl hast, mitgerissen zu werden, provoziere nach der Landung einen Strömungsabriss über die C-Gurte. Damit stallst du den Mantra M4 sehr schnell und gut kontrollierbar, du wirst so weniger mit dem Wind zu kämpfen haben.

FLUGMANÖVER

Ozone möchte daran erinnern, dass diese Manöver nur unter Aufsicht eines qualifizierten Fluglehrers und mit grösster Sorgfalt erlernt werden sollten.

Denke immer daran, dass eine gute Wetterbeobachtung vor dem Start verhindern kann, dass diese Techniken überhaupt eingesetzt werden müssen.

➤ Ohren-Anlegen

Das Einholen der Flächenenden ("Ohren") erhöht den Widerstand des Gleitschirmes und somit die Sinkgeschwindigkeit. Dieses Manöver ist nützlich, um von Wolken wegzukommen oder schnell Höhe abzubauen. Um die Ohren beim Mantra M4 anzulegen, musst du die äussersten A-Leinen greifen und sie herunterziehen, bis die Flächenenden einklappen und nach hinten weghängen. Um dir das Ohren-Anlegen zu erleichtern, gibt es bei unseren Gleitschirmen geteilte A-Tragegurte.

Verwende die Bremsen ausschliesslich zum Öffnen der Ohren, Kurven solltest du nur mit Gewichtsverlagerung fliegen.

Um die Ohren wieder zu öffnen, gib die Baby A-Leine frei: der Schirm sollte sich automatisch öffnen. Du kannst ein wenig nachhelfen, indem du vorsichtig erst die eine dann die andere Seite leicht anbremsst (nicht beidseitig bremsen, sonst erhöhst du die Stallgefahr!)

WICHTIG: Du kannst mit angelegten Ohren landen (du solltest die Ohren vor dem letzten Flare freigeben). Wir raten dir, dieses Manöver nicht bei turbulenten Bedingungen anzuwenden, da Stallgefahr besteht und die Steuerung nicht präzise ist.

➤ Ohren-Anlegen und Beschleunigen

NACHDEM du die Ohren angelegt hast, kannst du deine Sinkgeschwindigkeit weiter steigern, indem du den Beschleuniger benutzt. Versuche NIE die Ohren einzuholen während du den Beschleuniger drückst - dies kann zu einem grossen Frontklapper führen.

➤ Ohren-Anlegen und Steilschirm

Dieses Manöver ist möglich, es führt aber zu einer sehr grossen Belastung der Stammleinen und kann sogar zur Folge haben, dass Leinen reissen. Ozone empfiehlt dieses Manöver zu vermeiden!

➤ Wingovers

Die Grenze sind harte Kurvenwechsel bis 90° Seitenneigung. Dies nennt man allgemein Wing-Over. Unkoordiniert geflogene Wing-Over können zu grossen einseitigen Einklappen führen. Deshalb darfst Du

diese Flugfigur nie in Bodennähe ausüben.

➤ B-Stall

Der B-Leinen-Stall ist nur für Notfälle. Die Einleitung geschieht durch beidseitiges Ziehen der B-Tragegurte. Wenn du die B-Tragegurte zu weit ziehst, kann sich der Gleitschirm verformen und in stark unkontrollierte Bewegungen kommen. Die Ausleitung sollte symmetrisch in einer harmonischen und progressiven Weise geschehen.

Der Gleitschirm wird ohne weiteres Zutun in einen normalen Vorwärtsflug übergehen. Versichere dich bevor du die Bremsen benutzt, dass dein Schirm wieder sauber nach vorne fliegt.

WICHTIG: Wir empfehlen den B-Stall nicht für den Mantra M4. Durch zu weites Ziehen der B-Tragegurte und/oder in Turbulenzen können die Flügelenden nach vorne kommen und das Gleitsegel wird instabil. Die Steilschirm ist sicherer um Höhe effektiv abzubauen.

➤ Steilschirm

Wenn du einige Vollkreise mit immer enger werdendem Radius fliegst, dann wird dein Gleitschirm beginnen eine Steilschirm zu fliegen. Darunter versteht man eine Rotationsbewegung mit hoher Seitenneigung und grossem Höhenverlust.

Um eine Steilschirm einzuleiten musst du folgendes tun: Schau in die Richtung, in die du spiralen willst, verlagere dein Körpergewicht auf diese Seite und ziehe dann gleichmässig die kurveninnere Bremse. Der Mantra M4 wird nach etwa einer Umdrehung in die Steilschirm übergehen. In der Steilschirm musst du auch die kurvenäussere Bremse etwas ziehen, um das Flügelende offen und stabil zu halten. Sinkgeschwindigkeiten von 8 m/s und mehr sind in einer Steilschirm möglich, aber diese hohen Geschwindigkeiten und G-Kräfte sind gefährlich, weil du einen Black-Out riskierst. Ausserdem wird der Gleitschirm dabei unnötig stark belastet. Achte also genau auf deine Höhe und leite in Sicherheitshöhe aus.

Um eine Steilschirm auszuleiten musst du die innere Bremse langsam



freigeben, deinen Körper in eine neutrale Normalposition bringen, und die Kurvenaussenseite ein wenig anbremsen. Wenn die Bewegung sich verlangsamt, musst du den Mantra M4 weiter drehen lassen bis die Geschwindigkeit und Energie soweit abgebaut ist, dass er wieder in den Normalflug übergehen kann, ohne exzessiv zu pendeln.

Achtung: Steilspiralen verursachen Orientierungsverlust und es bedarf Zeit und Höhe, um sie auszuleiten. Fliege keine Steilspiralen in Bodennähe.

BESONDERE VORFÄLLE

➤ Sackflug

Es ist möglich, dass dein Gleitschirm nach der Ausleitung des B-Stalls normal aussieht aber trotzdem mit erhöhter Sinkgeschwindigkeit und geringer Vorwärtsgeschwindigkeit fliegt. Dies nennt man "Sackflug".

Es ist unwahrscheinlich, dass dir das mit einem Ozone Gleitschirm passiert, aber wissen musst du auf jeden Fall, dass Sackflug vorkommen kann und wie man ihn korrekt ausleitet. Wenn du den Verdacht hast im Sackflug zu sein, dann musst du die Bremsen vollständig lösen und einfach den Beschleuniger durchdrücken oder den A-Tragegurt nach vorne drücken, bis der Gleitschirm wieder im Normalflug ist. Erst dann darfst du die Bremsen gebrauchen!

➤ Einklapper

Dein Gleitschirm ist ein flexibler Flügel und deshalb kann es passieren, dass er in turbulenter Luft plötzlich einklappt. Der Mantra M4 wird nur bei stärkerer Turbulenz einklappen und normalerweise sehr schnell von selbst wieder öffnen. Dennoch solltest du Folgendes zur Kenntnis nehmen:

Ein einseitiger Einklapper kann kontrolliert werden, indem man sein Gewicht zur noch offenen Seite hin verlagert und mit dosiertem Steuerleinenzug die Flugrichtung gerade hält. Es gibt jedoch einige

wichtige Punkte, die man beachten sollte beim Umgang mit seitlichen Einklappern.

Wenn ein Gleitschirm eingeklappt ist hat er eine kleinere Fläche, die Flächenbelastung steigt und die Geschwindigkeit für den Strömungsabriss ist höher. Wenn du versuchst den Gleitschirm zu stabilisieren musst du vorsichtig sein, um nicht die noch geöffnete Seite des Flügels abzureissen.

Erlaube dem Gleitschirm zu drehen während du ihn öffnest, wenn du die Rotation nicht beenden kannst, ohne dabei den Abrisspunkt zu überschreiten.

Öffne den Einklapper mit einem gleichmässigen, kräftigen Steuerimpuls auf der geklappten Seite. Bei diesem "Pumpen" sollte eine Pumpbewegung etwa zwei Sekunden dauern. Zu schnelles Pumpen wird den Flügel nicht wieder füllen und zu langsames Pumpen kann den Gleitschirm an oder über den Stallpunkt bringen.

Bei einem Frontklapper sollte sich der Gleitschirm ohne Aktion des Piloten sofort selbständig wieder öffnen. In jedem Fall hilft ein kurzer Impuls von 15-20 cm mit beiden Bremsen, um die Wiederöffnung zu beschleunigen.

Wenn dein Mantra M4 im beschleunigten Flug einklappt, musst du sofort aus dem Beinstrecker gehen um auf Trimmgeschwindigkeit abzubremsen. Danach verhältst du dich wie oben beschrieben.

Vorsorge ist besser..

Kein Pilot und kein Gleitschirm ist immun gegen Klapper. Aber mit einem aktiven Flugstil kannst du die Gefahr von Einklappern auf ein Minimum reduzieren.

➤ Verhänger

Wenn sich das Flügelende in den Leinen verfängt nennt man das "Verhänger". Ein Verhänger kann zu einer schwer kontrollierbaren Drehbewegung führen. Die erste Lösungsmöglichkeit ist, an der Stabilo-Leine zu ziehen (rote Leine am C-Tragegurt), während man gleichzeitig versucht, die Drehbewegung durch Gegenbremsen zu verlangsamen.

Um einen Strömungsabriss zu vermeiden, muss das Gegenbremsen vorsichtig und dosiert sein. Wenn das nicht funktioniert, dann hilft nur noch ein "Full Stall". Nur wer Full-Stalls gelernt und geübt hat, sollte dieses Manöver durchführen - und auch nur dann, wenn ausreichend Höhe vorhanden ist. Wenn der Pilot die Drehung nicht schnell kontrollieren kann, dann muss der Rettungsschirm eingesetzt werden bevor zu viel Höhe verloren ist.

WICHTIG: Schlechte Startvorbereitung, Acrofliegen, ein ungeeigneter Schirm oder zu starke Flugbedingungen sind die Hauptursache für Verhänger.

PFLEGE

⚠️ ➤ Das Packen

Um die Lebensdauer deines Schirmes zu verlängern und die Plastikverstärkungen in bestmöglichem Zustand zu halten ist es sehr wichtig, den Schirm sorgfältig zu packen.

Ozone empfiehlt wärmstens die „Concertina Packmethode“ genau so, wie sie hier beschrieben wird. Damit wird sichergestellt, dass alle Zellen nebeneinander liegen und die Plastikverstärkungen nicht unnötig gebogen werden. Auch der Ozone Saucisse Pack (länglicher, wurstförmiger Innenpacksack) wird dazu beitragen, die Lebensdauer deines Schirmes zu verlängern. Außerdem kannst du damit schneller und einfacher packen.

Schritt 1

Lege deinen zusammengerollten Flügel auf den Saucisse Pack. Das ist die beste Ausgangsbasis um zu vermeiden, dass die Anströmkante unnötig über den Boden gezogen wird. Das Schleifen über den Boden kann durch die Plastikverstärkungen Schäden an der Segeloberfläche verursachen.



Schritt 2

Raffe die Anströmkante zusammen.



Schritt 3

Lege den Schirm auf die Seite. Binde die Anströmkante mit dem Saucisse Pack innenliegenden und vorgesehenen Band zusammen. Wichtig: der Schirm ist jetzt NICHT zur Hälfte gefaltet, sondern liegt wie eine Ziehharmonika von Flügelende bis Flügelende beieinander, in der Länge immer noch gestreckt. Es ist wirklich sehr wichtig, die mittleren Zellen nicht zu dehnen oder das Plastik zu sehr zu biegen.





Schritt 4
 Raffe nun den Rest des Flügels
 der Länge nach zusammen.



Schritt 5
 Schließe den Saucisse Pack vor-
 sichtigig mit dem Reißverschluss
 ohne dabei irgendein Material
 einzuklemmen.



Schritt 6
 Mache das erste Zusammenfalten – also die erste große Umschlag-
 falte - erst nach den Verstärkungen. Versuche nicht die Plastikver-
 stärkungen selbst zu falten. Einfach ohne Kraftaufwand locker falten.
 Dann noch einmal die Hinterkante falten. Der Flügel ist also nur 2-mal
 gefaltet.



**Wichtig: Lege den Schirm NICHT flach auf den Boden, bevor
 du ihn packst. Das würde zu Abnutzungserscheinungen am
 Obersegel führen, da du den Schirm zur Mitte hin ziehst.
 Packe IMMER ausgehend vom zusammengerafften Schirm
 oder hebe ihn vom Boden weg, wenn du die Anströmkante
 zusammenfasst.**



=



**Wichtig: Knicke den Schirm nicht in der Mitte, sondern fasse
 alle Anströmkanten-Verstärkungen in derselben Richtung
 zusammen, also von Flügelende bis Flügelende.**



=



➤ Beschädigung durch Bodenhandling

Viele Gleitschirme werden durch sorglosen Umgang am Boden beschädigt. Um die Lebensdauer deines Fluggerätes zu verlängern, bitten wir dich, folgende Punkte zu beachten:

Ziehe deinen Gleitschirm NICHT über den Boden, dabei beschädigst du die Beschichtung des Tuches.

Versuche NICHT, deinen Schirm bei starkem Wind auszulegen, ohne vorher die A-Leinen sortiert zu haben - du belastest die Leinen sonst nur mit unnötigem Zug.

Laufe NICHT über Leinen und Segel.

Vermeide es, deinen Schirm unnötig oft aufzuziehen und ihn dann wieder auf den Boden zurück fallen zu lassen. Versuche stattdessen diese Bewegung so sanft wie möglich zu machen, indem du auf den Schirm zu gehst, wenn du ihn herunterlässt.

Knalle deinen Mantra M4 NICHT mit der Eintrittskante voran auf den Boden. Der Aufprall belastet Tuch und Nähte sehr stark, dabei können sogar Zellwände platzen.

Das Fliegen am Meer, mit viel Salz in der Luft und Sand bei der Landung, beschleunigt den Alterungsprozess des Schirms.

Wir empfehlen, dass du deinen Schirm regelmässig prüfst - besonders nach lange Pausen oder einem besonderen Vorfall / Unfall.

➤ Lagerung

Bewahre deine gesamte Flugausrüstung stets geschützt vor direktem Sonnenlicht und Hitze in einem trockenen Raum auf. Hitze und Feuchtigkeit sind die zwei Faktoren die einen Gleitschirm schneller altern lassen. (Ein feuchter Gleitschirm im Auto bei direkter Sonneneinstrahlung ist fast das Schlimmste was du tun kannst).

Um einen feuchten Gleitschirm zu trocknen, hängt man ihn am besten über die Wäscheleine - wenn möglich nicht in die Sonne. Er sollte

stets selbst trocknen, verwende nie einen Haarfön oder ähnliches.

Damit restliche Feuchtigkeit verdunsten kann, solltest du den Reissverschluss des Packsacks immer offen lassen. Bewahre deinen Mantra M4 niemals in der Nähe von Chemikalien, Farben, Lacken oder Benzin auf.

Achte darauf, dass du keine Insekten in deinen Gleitschirm packst. Grashüpfer lösen sich beispielsweise in eine saure Substanz auf, die dein Tuch beschädigen kann.

➤ Reinigung

Reiben kann den Stoff beschädigen. Zur Reinigung empfehlen wir deshalb ein weiches, mit Wasser angefeuchtetes Baumwolltuch zu verwenden. Reinige immer nur kleine Stellen mit sanften Bewegungen. Benutze nie Waschmittel oder chemische Reinigungsprodukte.

➤ Reparaturen

Wenn Reparaturen nicht von einem Fachmann ausgeführt werden, können sie mehr Schaden als Nutzen bringen. Lasse wichtige Arbeiten deshalb nur von einem zugelassenen Instandhaltungsbetrieb ausführen.

➤ Reparaturen am Segel

Solange der Riss nicht an einer Naht liegt, können sehr kleine Löcher selbst repariert werden. Das Porcher Tuch kann mit selbstklebendem Gleitschirm-Reparaturtuch geflickt werden.

Das Porcher Marine Tuch

(Rippen und Untersegel) kann ohne Kleber mit selbstklebendem Gleitschirm-Reparaturtuch geflickt werden.

Reparaturen an Leinen

Jede beschädigte Leine muss ausgetauscht werden. Es ist wichtig, dass die Ersatzleinen aus dem gleichen Material mit gleicher Bruchlast sind. Solltest du gezwungen sein, eine Leine selbst zu ersetzen, vergleiche die Länge mit dem Gegenstück auf der anderen Seite. Ziehe den Schirm nach Ersetzen einer Leine auf und überprüfe





die Leinen vor dem nächsten Flug. Falls du keinen Ozone Händler in der Nähe hast, kannst du einzelne Leinen über www.flyozone.com bestellen.

Tipps

- Jedes Flügelende ist an der Austrittskante mit einem Loch versehen, das mit einem Klettband verschlossen ist: das "Butt Hole". Es ermöglicht das Entfernen von gesammelten Objekten z.B. Sand, Blätter, Gras oder Handys
- Wenn du gewickelt fliegst, solltest du regelmässig die Steuerleinen ausdrehen, sonst verkürzen sich die Bremsleinen
- Lass die Steuerleinen austauschen, wenn sie beschädigt sind.

NACHPRÜFUNG

Dein Flügel muss, so wie dein Auto, regelmäßig überprüft werden. Falls du deinen Mantra M4 verkaufst, dann bitte nur mit dem aktuellen Check-Protokoll.

Dein Mantra M4 muss alle 24 Monaten oder nach 100 Flugstunden, je nachdem welches Ereignis zuerst eintrifft, gecheckt werden.

Segeltuch und Leinen altern unterschiedlich schnell: es ist möglich, dass du während der gesamten Lebenszeit deines Mantra M4 manche oder alle Leinen austauschen musst. Um den Zustand der verschiedenen Komponenten zu kennen, ist es daher sehr wichtig, die Checks durchzuführen.

Wir empfehlen, den Schirm nur von einem qualifizierten, professionellen Instandhaltungs-Betrieb, der von Ozone oder vom Ozone Importeur empfohlen ist, checken zu lassen. Du bist für deine Ausrüstung selbst verantwortlich. Deine Sicherheit hängt davon ab. Änderungen im Flugverhalten eines Schirmes sind Anzeichen von Alterung. Also bitte regelmäßig checken lassen.

Hier die verschiedenen Arbeiten, die beim Check durchgeführt werden:

➤ Luftdurchlässigkeit

Wir messen, wie lange ein bestimmtes Luftvolumen benötigt, um durch eine bestimmte Fläche zu strömen. Die Messung findet an mehreren Stellen des Obersegels entlang der Spannweite hinter der Eintrittskante statt.

➤ Reißfestigkeit Tuch

Die Prüfung der Kappenfestigkeit wird mit dem Bettsometer (B.M.A.A. Approved Patent No. GB 2270768 Clive Betts Sails) vorgenommen. Bei dieser Prüfung wird in das Obersegel im Bereich der Eintrittskante ein nadeldickes Loch gestoßen und das Tuch auf seine Weiterreißfestigkeit hin überprüft. Der Grenzwert der Messung wird auf 600 g und eine Risslänge von < 5 mm festgelegt. Der genaue Prüfablauf ist durch die Bedienungsanleitung des Bettsometers vorgegeben. Dies ist ein Testverfahren, welches das Tuch nicht beschädigt.

➤ Reißfestigkeit Leinen

Bei Aramidleinen wird je eine mittlere A Stammleine, Mittelleine und Galerieleine und je eine B und C Stammleine so lange belastet, bis sie reißt. Die dabei erreichte Last wird ermittelt. Danach werden diese Leinen durch neue ersetzt. Sind die Mittelleinen und Galerieleinen aus Dyneema, dann muss unbedingt auch eine Dehnungsmessung dieser Leinen durchgeführt werden. (Bei 4Leinern und in speziellen Fällen kann die Prüfung der D-Ebene notwendig sein).

Die Summe der Festigkeit aller A + B Stammleinen muss mindestens 8 G und die Summe aller restlichen Stammleinen mindestens 6 G betragen. Diese "G" beziehen sich auf das maximal zulässige Startgewicht des Gleitschirms. Die Festigkeiten aller darüber liegenden Mittelleinen und Galerieleinen muss mindestens gleich hoch sein. Falls die Messwerte nahe an der Grenze liegen, dann wird der Prüfer einen weiteren Check nach kürzerer Zeit festlegen.

➤ Leinenlänge

Die Gesamtlänge (Tragegurt + Stamm-, Mittlere-, und Galerieleinen) wird unter 5DaN Zug gemessen. Ein Toleranz von +/- 10 mm ist erlaubt.

Die Bremsleinen können eine höhere Differenz aufweisen (max. +/- 50 mm).

Im Laufe der Zeit kann es zu einem leichten Dehnen der A+B Leinen und zu einem leichten Schrumpfen der C- und D-Leinen kommen, was zu einer niedrigeren Trimmgeschwindigkeit und zu Aufziehproblemen führen kann. Dann ist eine Trimmung erforderlich.

➤ Sichtprüfung

von alle Komponenten (Nähte, Aufhängungen, Verstärkung, Leinen usw.)

Falls der Prüfer im Zweifel ist über das korrekte Flugverhalten des Gleitschirms, kann er im Anschluss einen Checkflug machen.

WICHTIG: Pflege deinen Mantra M4 und Sorge dafür, dass regelmäßige Checks nach diesem Prüfmuster durchgeführt werden.



ACRO-FLIEGEN / SIV

Es gibt noch keine offizielle Zulassung für Acro-Schirme. Ozone Gleitschirme sind mit den besten Materialien und in höchster Qualität gefertigt, aber nicht für diese Art des Fliegens zugelassen.

Ozone empfiehlt, diese Art des Fliegens mit dem Mantra M4 zu vermeiden.

Wir raten von der Teilnahme an Sicherheitstrainings mit deinem Mantra M4 ab, da die Zulassungstests mit zusätzlichen Hilfsleinen zum Einklappen des Flügels, gemacht wurden. Ohne diese Hilfsleinen machen provozierte Klapper wenig Sinn und können sehr verschieden ausfallen.

WINDENSCHLEPP

Dein Ozone Gleitschirm ist windenschlepptauglich. Beim Windenschlepp musst du darauf achten, dass der Gleitschirm vor dem Start senkrecht über dir steht. In der Startphase darf nicht mit zu grossem Zug geschleppt werden, damit der Pilot im flachen Winkel vom Start wegsteigt. Schleppleinenzug über 90 kp ist nicht zulässig. In jedem Fall entspricht der maximale Schleppleinenzug dem Körpergewicht des Piloten.

In Deutschland ist Windenschlepp mit dem Gleitschirm prinzipiell nur dann erlaubt, wenn der Pilot einen Befähigungsnachweis für Windenschlepp, der Windenfahrer einen Befähigungsnachweis für Windenfahrer mit Berechtigung für Gleitschirmschlepp besitzt, der Gleitschirm schlepptauglich ist, sowie Winde und Schleppklinke eine Zulassung haben, das sie als geeignet für Gleitschirmschlepp ausweist. Grundsätzlich sind die örtlich geltenden Vorschriften zu beachten und nur mit einem erfahrenen Schleppteam und geeignetem Material zu schleppen.

VERÄNDERUNGEN

Wenn dein Ozone Gleitschirm die Produktion verlässt, befindet er sich innerhalb des zulässigen Toleranzbereichs. Dieser Bereich ist sehr klein und darf nicht verändert werden. Die optimale Balance zwischen Leistung, Handling und Sicherheit ist somit gewährleistet. Jede noch so kleine Änderung führt automatisch dazu, dass die Zulassung erlischt. Es ist auch wahrscheinlich, dass eine Änderung das Fliegen mit dem Ozone Mantra M4 erschwert. Deshalb raten wir dringend davon ab, irgendwelche Änderungen an diesem Gleitschirm vorzunehmen.





OZONE QUALITÄT UND SERVICE

Wir nehmen die Qualität unserer Produkte sehr genau, alle Schirme werden unter höchsten Standards in unserer eigenen Produktionsstätte hergestellt.

Jeder Schirm wird einer sehr strengen Endkontrolle unterzogen, in der alle Produktionsschritte nochmals überprüft werden. Das Kundenfeedback ist uns sehr wichtig und wir setzen auf erstklassigen Service. Wir werden uns immer darum kümmern Materialfehler, die nicht auf die normale Abnutzung oder falschen Gebrauch zurückzuführen sind, zu beheben. Falls du Probleme mit deinem Schirm haben solltest, setze dich mit deinem Händler in Verbindung.

Falls es dir nicht möglich ist deinen Händler zu kontaktieren dann melde dich direkt bei uns team@flyozone.com.

OZONE GARANTIE

Unter die Ozone-Garantie fallen alle durch die Herstellung verursachten Fehler und Mängel unserer Produkte. Ozone repariert oder ersetzt mangelhafte Ware kostenlos. Ozone und seine Händler bieten erstklassigen Service und höchste Qualität bei Reparaturen. Schirme die durch Unfälle oder Abnutzung beschädigt sind, werden zum fairen Preis repariert.

DAS LETZTE WORT

In unserem Sport steht die Sicherheit an erster Stelle: Um sicher Gleitschirm zu fliegen, müssen wir gut ausgebildet, sowie geübt und aufmerksam gegenüber Gefahren sein. Das erreicht man nur, wenn man so viel wie möglich fliegt, Bodenhandling trainiert und ein wachsames Auge gegenüber dem Wettergeschehen entwickelt. Wenn es dir an einer dieser Eigenschaften mangelt, wirst du dich unnötig grösserer Gefahr aussetzen.

Fliegen ist eine grossartige Sache und man benötigt einige Jahre es richtig zu lernen. Nimm dir Zeit Erfahrungen zu sammeln und setze dich nicht unter Druck. Du hast lange Zeit um zu lernen. Du kannst, wie viele andere, bis auf ihre alten Tage fliegen. Wenn die Bedingungen nicht gut sind, packe deine Sachen und geh nach Hause, morgen ist auch noch ein Tag.

Überschätze deine Fähigkeiten nicht und sei dir gegenüber ehrlich. Ein weiser Spruch lautet: "Es ist besser am Boden zu stehen und sich zu wünschen, man würde fliegen, als in der Luft zu sein und sich zu wünschen, man stünde am Boden".

In jedem Jahr verletzen sich viele Piloten beim Start - werde nicht zu einem von ihnen. Beim Start sind die Gefahren am grössten, weshalb du ihn so gut und oft wie möglich üben solltest. Manche Startplätze sind klein und kompliziert, zudem sind die Bedingungen nicht immer perfekt. Wenn du ein gutes Bodenhandling hast, wirst du sicher und entschlossen starten können, wo andere sich abmühen. Du wirst weniger gefährdet sein, dich zu verletzen und stattdessen einen schönen Flugtag haben.

Bodenhandling ist aber auch eine Form des Fliegens. Du lernst auf deinen Gleitschirm zu hören und sein Feedback zu verstehen, also übe möglichst viel.

Zu guter Letzt: Bewahre den Respekt vor dem Wetter, denn es hat mehr Kraft, als wir uns überhaupt vorstellen können. Versuche zu verstehen, welche Bedingungen für dein fliegerisches Niveau geeignet sind und beuge dich nicht aus diesem Rahmen heraus.

Happy Flying & viel Spass mit dem Mantra M4.
Team Ozone.

Nachprüfanweisungen

Diese sind bindend für Deutschland und Österreich.
Für alle anderen Länder wird ihre Einhaltung von Ozone dringend empfohlen.

Nachprüfintervalle

Das erste Nachprüfintervall beträgt 24 Monate oder 100 Flugstunden, je nachdem welches Ereignis zuerst eintrifft, und das ab dem Datum der Stückprüfung, bzw. dem Datum des ersten Flugbetriebes. Jedes folgende Nachprüfintervall beträgt wiederum 24 Monate bzw. 100 Flugstunden ab dem Datum der letzten Nachprüfung. Eine Verkürzung des nächsten Nachprüfintervalls liegt im Einzelfall im Ermessen des Prüfers.

Personelle Voraussetzungen für die Nachprüfung ausschließlich persönlich und einsitzig genutzter Gleitsegel

- Luftfahrerschein, Sonderpilotenschein oder als gleichwertig anerkannte ausländische Lizenz.
- eine ausreichende, typenbezogene Einweisung beim Hersteller oder in einem Fachbetrieb, der für die Nachprüfung des betreffenden Gleitsegeltyps zugelassen ist. Diese Einweisung ist jährlich zu verlängern.
- Hinweis: Die Gültigkeit der Nachprüfung für ausschließlich persönlich und einsitzig genutzte Gleitsegel erlischt, sobald das Gleitsegel von Dritten genutzt wird, das heißt z.B. beim Verkauf.

Personelle Voraussetzungen für die Nachprüfung von Dritten genutzten Gleitsegeln und für Doppelsitzer gemäß LuftPersV §106 5.b

- Luftfahrerschein, Sonderpilotenschein oder als gleichwertig anerkannte ausländische Lizenz.
- Eine Berufsausbildung auf einem für die Prüfertätigkeit förderlichen Fachgebiet.
- Eine berufliche Tätigkeit von 2 Jahren bei der Herstellung oder Instandhaltung von Gleitsegeln, davon mindestens 6 Monate innerhalb der letzten 24 Monate.
- Eine ausreichende, mindestens zweiwöchige Einschulung im Betrieb des Herstellers und eine typenbezogene Einweisung die jährlich zu verlängern ist.

Technische Voraussetzungen / Voraussetzungen an Prüfmittel und Material

- Textiluhr nach Kretschmer.
- Vorrichtung zur Überprüfung der Leinenfestigkeit, die es erlaubt die Reißfestigkeit von Gleitsegelleinen in voller Länge zu ermitteln.
- Nähmaschine, die geeignet ist zum Nähen von Gleitsegelleinen aller verwendeten Durchmesser.
- Präzisionsfederwaage mit Messbereich von ca. 0-30 kp (Kilopond) zur Ermittlung der Dehnungs- und Rückstellwerte von Gleitsegelleinen.
- Messvorrichtung zur Messung und Dokumentation der Längenmessung von Gleitsegelleinen unter 5 kp Zug und Stahlmaßband nach ISO. (Mindestanforderung).
- Vorrichtung zur Ermittlung der Reißfestigkeit von Tuch nach B.M.A.A. (Approved Patent No. GB 2270768 Clive Bettes Sales).
- Sollten Reparaturen notwendig sein: weitere, entsprechend dem verwendeten Material und Nahtbild erforderliche Nähmaschinen
- Alle Originalmaterialien, so wie sie vom Gleitsegel-Hersteller spezifiziert sind.

Notwendige Unterlagen

- Luftsportgeräte-Kennblatt
- Stückprüfprotokoll
- Vorgegangene Nachprüfprotokolle falls bereits vorhanden
- Wartungs- und Kalibrierungsunterlagen der Messgeräte
- Lufttüchtigkeitsanweisungen bzw. Sicherheitsmitteilungen des Herstellers für das betreffende Gleitsegel sofern solche existieren
- Gültige Einweisungsbestätigung des Herstellers oder vom Hersteller autorisierten Fachbetrieb
- Leinenmessblatt zur Dokumentation der Soll-, Ist- und Differenzwerte der Leinenlängen
- Der Prüfer muss sich vor Durchführung der Nachprüfung beim Hersteller informieren, ob neue Erkenntnisse vorliegen, die bei der Prüfung des betreffenden Gleitsegeltyps zu berücksichtigen sind

Identifizierung des Gerätes

- Das Gleitsegel wird an Hand der Musterzulassungs- bzw. des Typenschildes identifiziert
- Typenschild und Prüfplaketten sind auf Korrektheit, Vollständigkeit und Lesbarkeit zu überprüfen.



Sichtkontrolle der Kappe

- Obersegel, Untersegel, Eintritts- und Austrittskante, Zellzwischenwände, Nähte und Leinenloops werden auf Risse, Scheuerstellen, Dehnung, Beschädigung der Beschichtung, sachgemäße Ausführung von eventuellen Reparaturen und sonstige Auffälligkeiten untersucht.
- Eventuell notwendige Reparaturen sind nur mit den Originalmaterialien nach Anweisung des Herstellers durchzuführen.
- Sichtkontrolle der Leinen
- Sämtliche Leinen sind auf Beschädigungen zu untersuchen. Dies betrifft z.B. Beschädigungen der Nähte oder des Mantels, Risse, Knicke, Scheuerstellen, Kernaustritte, Verdickungen usw.
- Beschädigte Leinen sind durch Originalmaterial (Leine und Faden) in identischer Verarbeitung zu ersetzen.

Sichtkontrolle der Verbindungsteile

- Die Tragegurte sind auf Beschädigungen zu untersuchen. Dies betrifft z.B. Beschädigungen der Nähte oder Risse, Knicke, Scheuerstellen usw. Die Leinenschlösser sind auf Beschädigungen zu überprüfen und es ist zu kontrollieren, ob sie fest geschlossen sind.
- Die Länge der Tragegurte (nicht beschleunigt und voll beschleunigt) ist unter 5daN Last zu vermessen. Toleranzwert: +/-5 mm
- Beschädigte Leinenschlösser müssen ersetzt werden. Beschädigte Tragegurte müssen ersetzt oder nach Anweisung des Herstellers repariert werden.

Vermessung der Leinenlängen

Diese erfolgt unter 5daN Last nach Anweisung des Herstellers. Toleranzwert +/-10 mm darüber hinausgehende Toleranzen sind im Einzelfall nach Ermessen des Prüfers zulässig.

Kontrolle der Dehnung und Rückstellung der Leinen

Diese ist besonders bei Dyneema Leinen anzuraten. Sie erfolgt unter 20 daN Last nach Anweisung des Herstellers. Maximal zulässiger Rückstellwert ist + 10 mm, darüber hinausgehende Toleranzen sind im Einzelfall nach Ermessen des Prüfers zulässig.

Kontrolle der Leinenfestigkeit

Bei Aramidleinen wird je eine mittlere A Stammleine, Mittelleine und Galerieleine und je eine B und C Stammleine so lange belastet, bis sie reißt. Die dabei erreichte Last wird ermittelt. Danach werden diese Leinen durch neue ersetzt. Sind die Mittelleinen und Galerieleinen aus Dyneema, dann muss unbedingt auch eine Dehnungsmessung dieser Leinen durchgeführt werden.

(Bei 4Leinern und in speziellen Fällen kann die Prüfung der D-Ebene notwendig sein).

Kontrolle der Kappenfestigkeit

Die Prüfung der Kappenfestigkeit wird mit dem Bettsometer (B.M.A.A. Approved Patent No. GB 2270768 Clive Bettes Sales) vorgenommen. Bei dieser Prüfung wird in das Obersegel im Bereich der Eintrittskante ein nadeldickes Loch gestoßen und das Tuch auf seine Weiterreißfestigkeit hin überprüft. Der Grenzwert der Messung wird auf 600 g und eine Risslänge von < 5 mm festgelegt. Der genaue Prüfablauf ist durch die Bedienungsanleitung des Bettsometers vorgegeben. Dies ist ein Testverfahren, welches das Tuch nicht beschädigt.

Kontrolle der Luftdurchlässigkeit

Erfolgt nach Herstelleranweisung mit der Kretschmer Textiluhr. Der Grenzwert beträgt 15 Sek.

Sichtkontrolle von Trimmung und Einstellung

Im Normalfall besteht bei Einhaltung der oben angegebenen Toleranzwerte +/- 10 mm kein Grund, die Trimmung oder Einstellung zu ändern. Im Einzelfall liegt es jedoch im Ermessen des Prüfers eine Trimm-Korrektur vorzunehmen.

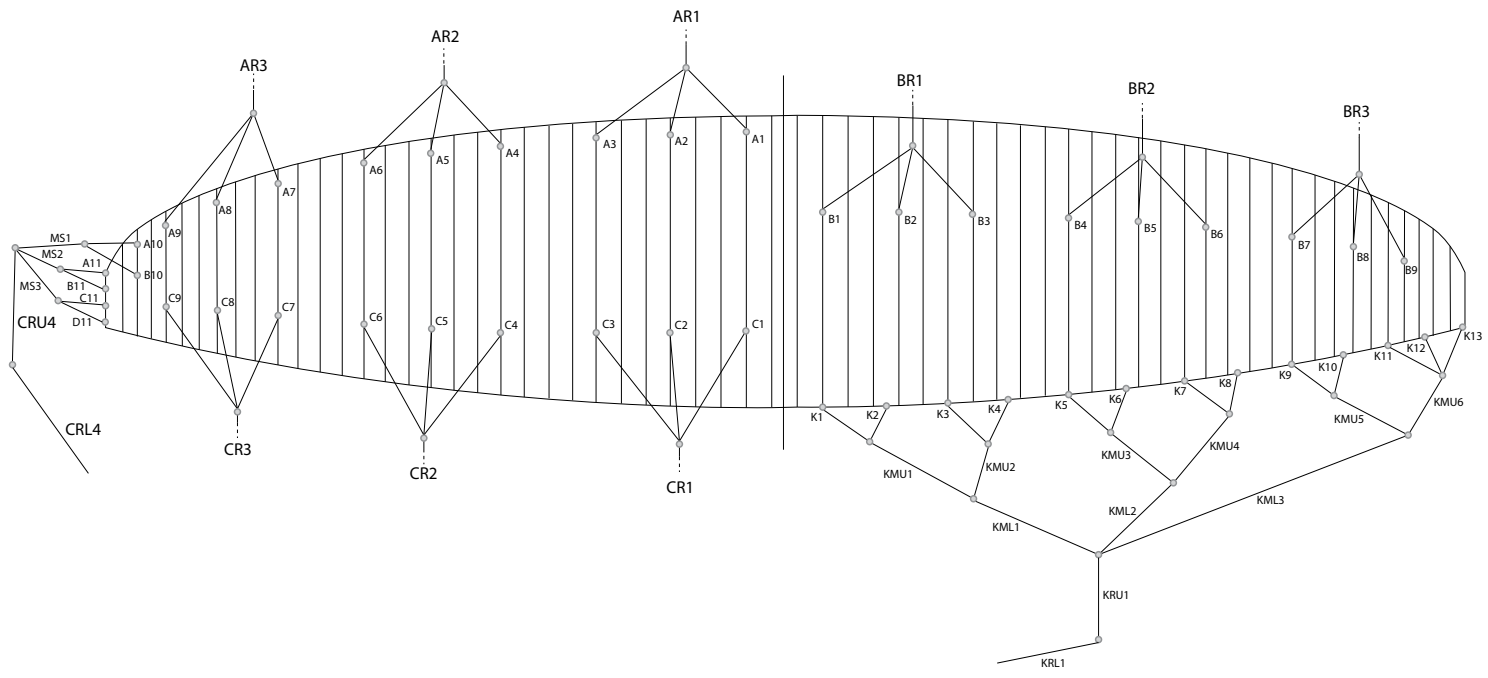
Checkflug

Im Normalfall ist bei Befolgen der vorliegenden Verfahrenseinweisungen kein Checkflug erforderlich. Sollten besondere Umstände vorliegen, liegt es im Ermessen des Prüfers einen Checkflug vorzunehmen. Hierbei sind die Anweisungen des Herstellers zu beachten.

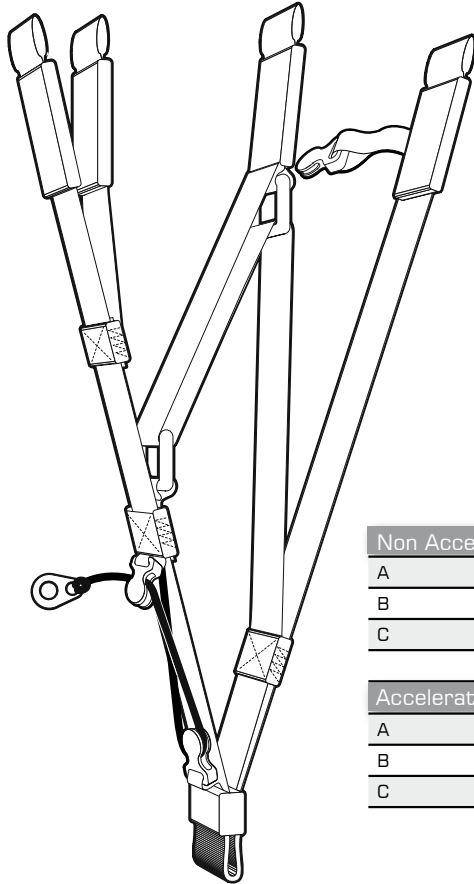
Dokumentation

Die jeweiligen Prüfergebnisse, die Beurteilung des Gesamtzustandes des Gleitsegels, sowie Reparaturen und Korrekturen sind im Prüfprotokoll des Herstellers festzuhalten. Die Soll-, Ist- und Differenzwerte der Leinenlängen sind im Leinenmessblatt festzuhalten. Das Prüfprotokoll ist zusammen mit dem Betriebshandbuch aufzubewahren. Die Durchführung der Nachprüfung sowie die Fälligkeit zur nächsten Nachprüfung sind mit Datum und Unterschrift des Prüfers und dessen Prüfnummer auf oder neben dem Typenschild festzuhalten.

LINE DIAGRAM



RISER DIAGRAM / LENGTHS (mm)



Non Accelerated

A	500
B	500
C	500

Accelerated

A	350
B	400
C	500

TECHNICAL SPECIFICATIONS

	S	MS	ML	L
No. of Cells	63	63	63	63
Projected Area (m2)	19.7	20.9	21.8	23.9
Flat Area (m2)	23.1	24.6	25.6	28.1
Projected Span (m)	9.67	9.98	10.18	10.67
Flat Span (m)	12.26	12.65	12.9	13.52
Projected Aspect Ratio	4.76	4.76	4.76	4.76
Flat Aspect Ratio	6.5	6.5	6.5	6.5
Root Chord	2.38	2.46	2.51	2.63
Glider Weight (Kg)	5.6*	5.8*	5.9	6.1*
In-Flight Weight Range	65-85	80-95	90-105	100-120
Certification EN/LTF	D	D	D	D

* To be confirmed

MATERIALS

All Ozone gliders are made from the highest quality materials available.

↗ Cloth

Upper-surface

Porcher Skytex 40 9017 E77

Lower-surface

Dominico DOKDO 30D MF

Internal Ribs

Skytex 9017 E29A / Dominico DOKDO FM 30D

Leading-edge reinforcement

P18 plastic pipe

↗ Line Set

Lower cascade

Edelrid 8000U-230/190/130Kg Aramid

Upper cascade

Edelrid 8000U-130/90/70/50kg Aramid

↗ Risers and hardware

Shackles

High quality micro maillons from Maillon Rapide.

Riser webbing

12mm zero stretch polyester webbing

Pulleys

Ronstan ball bearing

OZONE ACCESSORIES

➤ We have a full line of accessories to keep you warm, cool, and to carry your stuff. Check out our online shop for all of the latest accessories at www.flyozone.com.



MANTRAM

Inspired by Nature, Driven by the Elements
WWW.FLYOZONE.COM