

User Manual

Bevi™ Felix Standard SK 419-001



BeviClean®
WIR MACHEN ALLES KLAR

Table of Content

1. Safety Instructions	2
2. Contents	2
3. Operating Instructions	3
4. Maintenance & Cleaning	5
5. Exploded View and Spare Parts	6
6. Technical Information	8

1. Safety Instructions

- Read and observe user manual and keep instructions with unit at all times.
- Observe all local, city, state and federal rules and regulations when setting up and operating unit.
- Protect unit from freezing and direct sunlight.
- Do not place or clean unit in dishwasher!
- Do not clean unit under direct water stream.
- Only operate unit in original condition and use only original Bevi™ spare parts for repairs.
- Only use and operate unit for its intended purpose.
- Do not use water pressure exceeding 70 psig (5 bar)
- Do not use unit with water temperatures exceeding 104° F (40° C)



2. Contents

- Glass Washer
- Water Connection Hose
- User Manual
- Spare Parts List

3. Operating Instructions

3.1 Before First Use

It is strongly recommended to disassemble the unit and clean as described under 4.2 before the first use.



3.2 Setup of unit

- Attach 90 degree hose end piece to the outlet pipe thread on the underside of unit. Do not use tools, tighten hand tight only or damage to unit may occur.
- Place unit upright in sink, using suction cups on flat, clean surface.
- Attach other end of hose to water connection (hand tight only).
- Insert middle brush by turning clockwise 90 degrees using light pressure.
- Insert outer brush and make sure that brush sits tightly in designated guides.

3.3 Getting unit ready for use

- Open water faucet
- Middle pipe in rinser will rise to upper position, thereby shutting off the water to the unit.
- Push down middle brush with hand or glass and allow compartment to fill completely with water until it overflows.
- Place a glass cleaning tablet (e.g. Bevi Tab Felix or similar) into cleaning compartment and wait until a stable foam formation can be observed during glass washing.
- The unit is now ready to use.

3.4 Responsibilities of User

It is recommended that the User

- Instruct all personnel in the proper use of unit.
- Inspect daily the optical cleanliness of the glasses after cleaning.
- Inspect the unit and the sink daily to make sure that they are clean



3.5 Conditions for proper operation

- The brushes must contact all surfaces of the glasses to be cleaned.
- Unit is suitable for use with alcoholic (e.g. beer, wine) and non-alcoholic beverages
- If pulp from juices or crème residuals is present (e.g. cocktails), the glasses should be pre-rinsed thoroughly under running water prior to cleaning.
- If a glass breaks in the unit, discontinue washing immediately. If necessary drain the water. Carefully remove all glass pieces and splinters from the unit and the brushes, wearing suitable gloves and using suitable tools (e.g. tweezers, etc.). Inspect unit thoroughly and make sure all glass has been removed before starting to wash glasses again.



3.6 Rinsing of Glasses

Pre-Rinse:

- Place glass with opening of glass pointing down onto middle brush.
- Push glass down onto middle brush and continue moving glass up and down on middle brush at least seven (7) times while turning glass slightly from one side to the other.
- Continue brushing if glass is very dirty or appears not to be clean after visual inspection.
- When washing mugs with handles, make sure that handle is pointing to the correct space in the unit.

Post-Rinse

- Place glass on rinser tube and push glass down until water starts flowing. Continue rinsing until all cleaning residues and/or foam has been completely removed.
- Then rinse glass in sanitizer sink or rinser

3.7 Taking unit out of service for extended periods of time

- Turn off water at faucet
- Disconnect water hose from water connection at faucet
- Clean unit as described under 4.2

4. Cleaning and Maintenance of Unit

The Bevi™ Felix requires daily cleaning and maintenance and should be completely disassembled for cleaning.



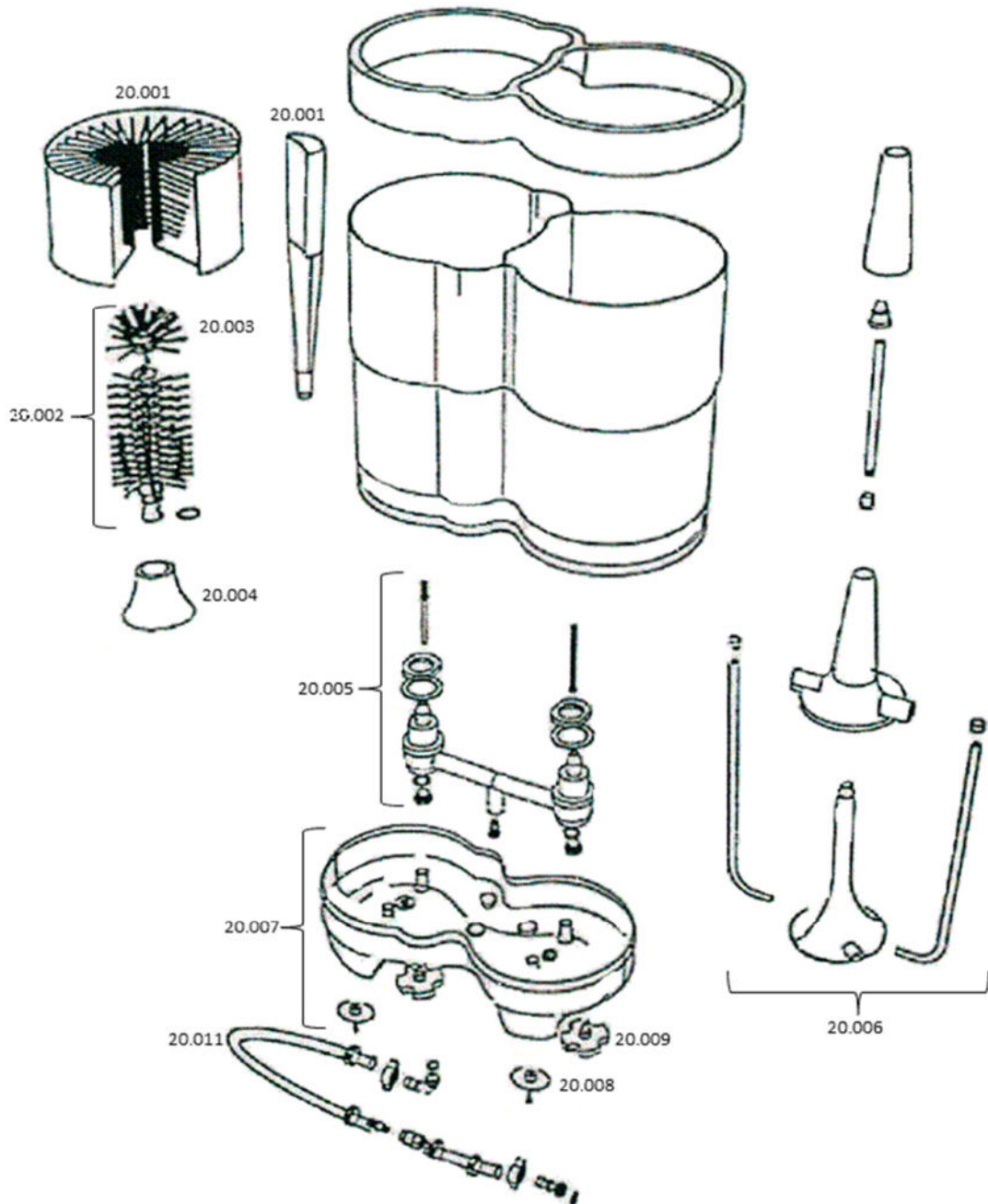
4.1 Daily Cleaning (after longer breaks in operation or at the end of each day)

- Remove elastic ring cover and outer brush.
- Remove overflow tube so the water can freely drain from pre-rinse tank
- Remove inner brush by pushing down gently and turning brush 90 degrees counter clockwise and then pull up. Do not use force.
- Clean brushes by soaking them in a lukewarm cleaning solution followed by a sanitizer solution.
- Take caution when using chlorinated products as these can lead to damages to the parts.
- Thoroughly clean the inside and outside of the unit and wipe with a moist cloth. Do not use abrasive cloths or scrubby pads as these will damage the unit.
- Prior to operation, re-assemble the unit as described in 3.2 and re-connect the hose back to the faucet.

4.2 Weekly Cleaning

- Disconnect brush socket in pre-rinse compartment by unscrewing it from the base and disassemble.
- Pull protective silicone cover from post-rinse tube. Disconnect valve base from base and disassemble.
- Remove base from the housing.
- Clean all loose parts thoroughly with lukewarm cleaning solution followed by a thorough rinse with potable water until all cleaning residues have been removed.
- Reassemble unit for operation.

5. Exploded View and Spare Parts List



O-Number	Description	Part Number
New Unit only	Double Rinser Housing	85.000.544
New Unit only	Shock Protection Ring (double)	85.000.546
20.001	Outer Brush	85.000.522
20.002	Middle Brush with Brush Head	85.000.521
20.003	Brush Head	85.000.536
20.004	Brush Socket complete	85.000.535 85.000.558
20.005	Valve System Complete	85.000.547
20.006	Inner Rinser complete	85.000.550 85.000.527
20.007	Base Housing	85.000.524 85.000.528
20.008	Suction Cup with screw	85.000.524
20.009	Base Screw	85.000.528
20.010	Overflow	85.000.525
20.011	Connecting hose complete	85.000.523
30.001	Bevi Tab Felix, Can with 600 grams	85.001.201

6. Technical Information

6.1 Conformity and Certifications

- SK Certification
- Conforms to DIN 6653-3 as certified by Technical University Munich VdS, March 17, 2011.
- NSF Certification

6.2 Product Properties

- Separate Pre- and Post Rinse
- Two separate water shut-off valves for optimal economy and water savings
- Integrated, vented check valve
- Unit can be completely broken down and cleaned. Most spare parts are available individually.

6.3 Technical Data

- L 38cm x W 20cm x H 36cm
- Weight: ~ 5.95 lbs. (2.7 kgs.)
- Pressure Rating: 2—5 bars (30 — 70 psig).
- Maximum Temperature 40° C (~100 F)

6.4 Date Manufactured



Carl-Benz-Straße 5 · D-56218 Mülheim-Kärlich
T: +49 2630/966 30-0 · F: +49 2630/966 30-20
www.beviclean.com · info@beviclean.com