

 Clear water

 Domestic use

 Civil use



### PERFORMANCE RANGE

- Flow rate up to **300 l/min** (18 m<sup>3</sup>/h)
- Head up to **20 m**

### APPLICATION LIMITS

- **10 m** maximum immersion depth (with a sufficiently long power cable)
- Maximum liquid temperature **+50 °C** (Maximum liquid temperature +90 °C for a maximum of 3 minutes intermittent service)
- Passage of suspended solids up to **Ø 10 mm**
- Suction level:
  - **14 mm** above ground level for RX 1-2-3
  - **25 mm** above ground level for RX 4-5
- Continuous service **S1**

### CONSTRUCTION AND SAFETY STANDARDS

The pumps are complete with:

- **5 m** long power cable for RX 1-2-3
- **10 m** long power cable for RX 4-5
- float switch for single-phase versions

EN 60335-1  
IEC 60335-1  
CEI 61-150

EN 60034-1  
IEC 60034-1  
CEI 2-3



### CERTIFICATIONS

Company with management system certified DNV  
ISO 9001: QUALITY  
ISO 14001: ENVIRONMENT

### INSTALLATION AND USE

The **RX** series pumps are suitable for use with **clear water** that does not contain abrasive particles.

Because of the design solutions that have been adopted, such as the complete cooling of the motor and the shaft with double seal, these pumps are easy to use and reliable.

They are suitable for use in fixed installations and applications such as draining small flooded areas (rooms, cellars, garages) in the event of an emergency, for the disposal of waste water in the home (from dishwashers, washing machines) and for emptying drainage traps.

### PATENTS - TRADE MARKS - MODELS

- Patent n. IT0001390742 (RX 4-5)
- Registered EU Design n. 342159-0013 (RX 1-2-3)

### OPTIONS AVAILABLE ON REQUEST

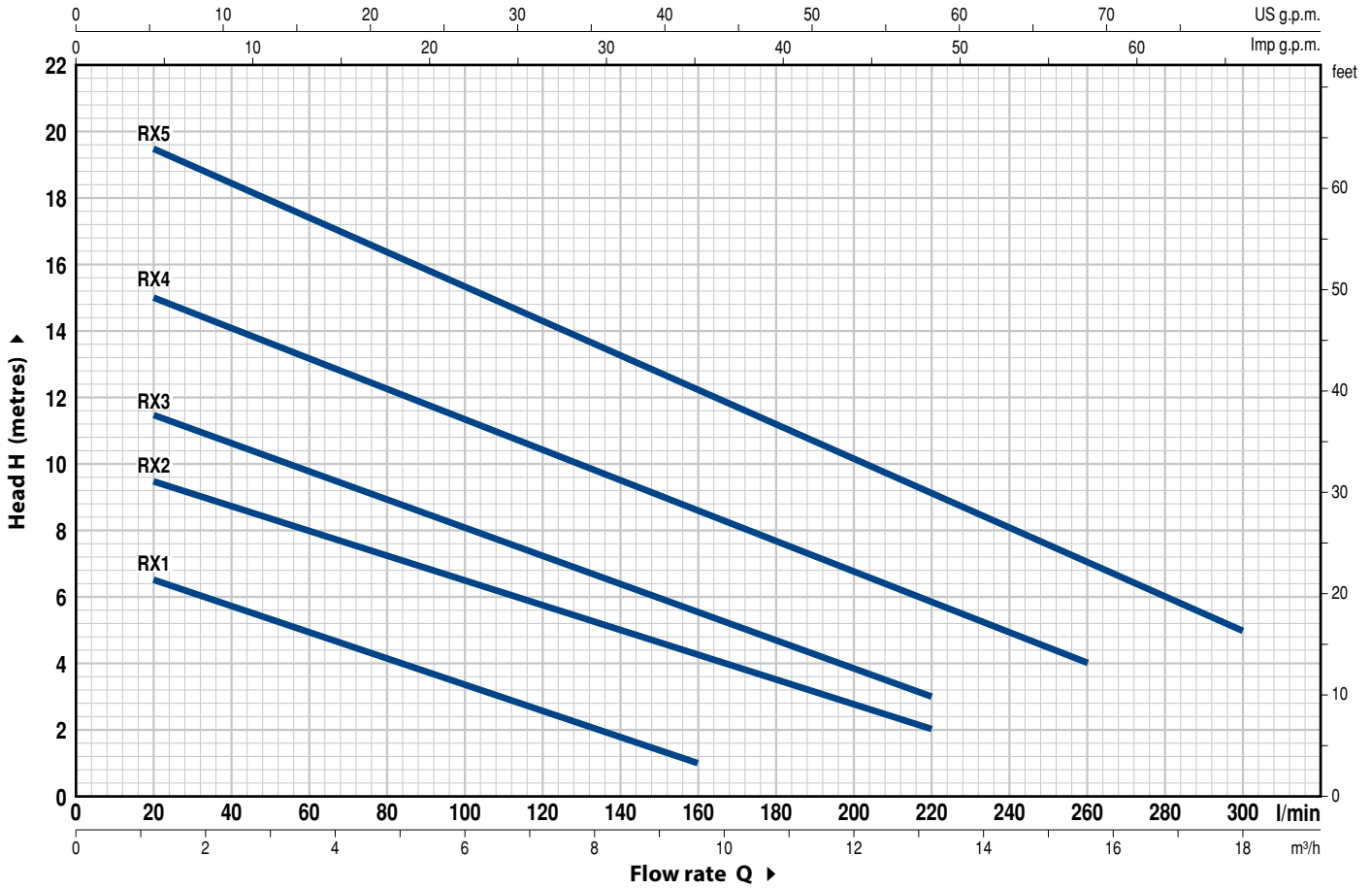
- “**RX-GM**” pumps with a vertical float switch (suitable for particularly small wells)
- Special mechanical seal
- RX 1-2-3 pumps with a **10 m** long power cable.
  - ➔ N.B.: Standard EN 60335-2-41 states that the power cable must be 10 m long for outdoor applications
- Single-phase pumps without float switch
- Other voltages

### GUARANTEE

2 years subject to terms and conditions

**CHARACTERISTIC CURVES AND PERFORMANCE DATA**

**60 Hz n= 3450 rpm**



MODEL		POWER (P <sub>2</sub> )		Q	Flow rate												
Single-phase	Three-phase	kW	HP		m <sup>3</sup> /h	0	1.2	3.6	6.0	8.4	9.6	12.0	13.2	15.6	18.0		
				l/min	0	20	60	100	140	160	200	220	260	300			
RXm 1	RX 1	0.25	0.33	H metres	7.5	6.5	5	3.5	2	1							
RXm 2	RX 2	0.37	0.50		10	9.5	8	6.5	5	4.5	2.5	2					
RXm 3	RX 3	0.55	0.75		12	11.5	9.5	8	6.5	5.5	3.5	3					
RXm 4	RX 4	0.75	1		16	15	13	11.5	9.5	8.5	6.5	5.5	4				
RXm 5	RX 5	1.1	1.5		20	19.5	17.5	15.5	13.5	12.5	10	9	7	5			

Q = Flow rate H = Total manometric head

Tolerance of characteristic curves in compliance with EN ISO 9906 Grade 3B.

# RX 1-2-3

## POS. COMPONENT CONSTRUCTION CHARACTERISTICS

1	<b>PUMP BODY</b>	Stainless steel AISI 304 with threaded port in compliance with ISO 228/1			
2	<b>SUCTION FILTER</b>	Stainless steel AISI 304			
3	<b>DIFFUSER</b>	Stainless steel AISI 304			
4	<b>IMPELLER</b>	Stainless steel AISI 304			
5	<b>MOTOR CASING</b>	Stainless steel AISI 304			
6	<b>MOTOR CASING PLATE</b>	Stainless steel AISI 304			
7	<b>MOTOR SHAFT</b>	Stainless steel EN 10088-3 - 1.4104			
8	<b>SHAFT WITH DOUBLE SEAL AND OIL CHAMBER</b>				
	<b>Seal</b>	<b>Shaft</b>	<b>Materials</b>		
	<i>Model</i>	<i>Diameter</i>	<i>Stationary ring</i>	<i>Rotational ring</i>	<i>Elastomer</i>
	STA-12R	Ø 12 mm	Ceramic	Graphite	NBR
9	<b>LIP SEAL</b>	Ø 12 x Ø 19 x H 5 mm			
10	<b>BEARINGS</b>	6201 ZZ / 6201 ZZ			

11	<b>CAPACITOR</b>		
	<b>Pump</b>	<b>Capacitance</b>	
	<i>Single-phase</i>	<i>(220 V)</i>	<i>(110 V or 127 V)</i>
	<b>RXm 1</b>	10 µF - 450 VL	16 µF - 250 VL
	<b>RXm 2</b>	10 µF - 450 VL	16 µF - 250 VL
	<b>RXm 3</b>	14 µF - 450 VL	16 µF - 250 VL

**12 ELECTRIC MOTOR**

**RXm:** single-phase 220 V - 60 Hz  
with thermal overload protector incorporated into the winding

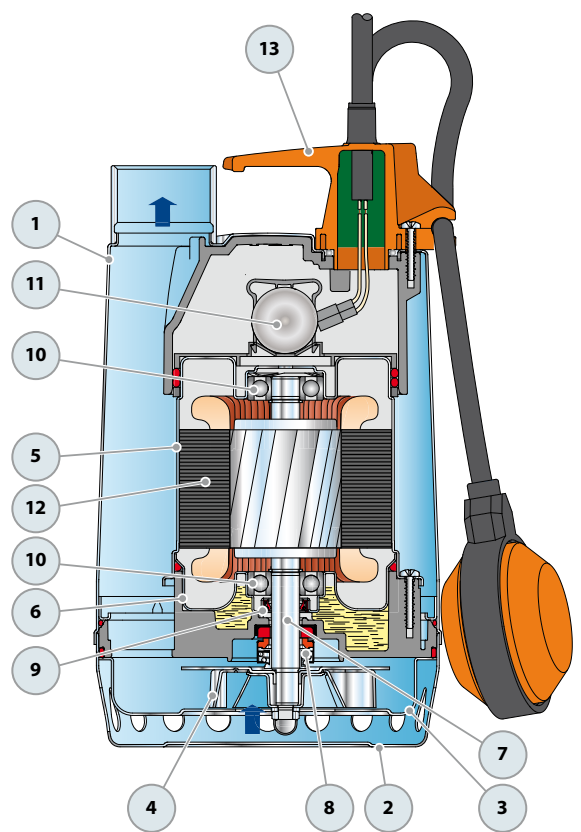
**RX:** three-phase 380 V - 60 Hz

- Insulation: class F
- Protection: IP X8

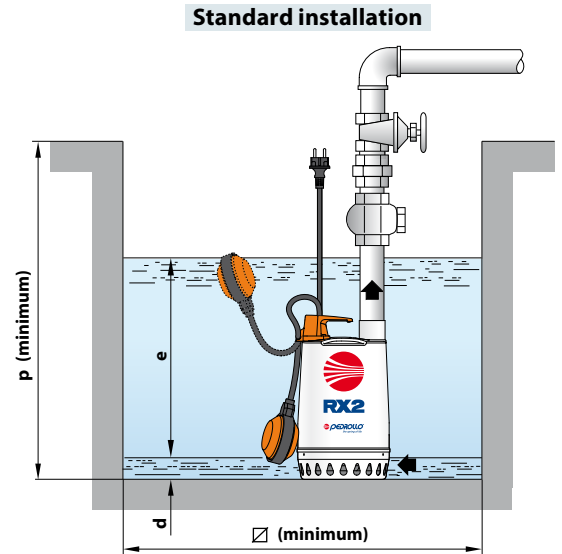
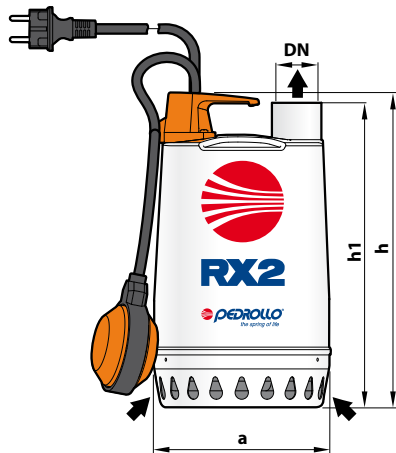
**13 HANDLE ASSEMBLY** (resin sealed)

Complete with:

- 5 metres long "H07 RN-F" power cable with Schuko plug
- Float switch (Vertical float switch in the GM versions).

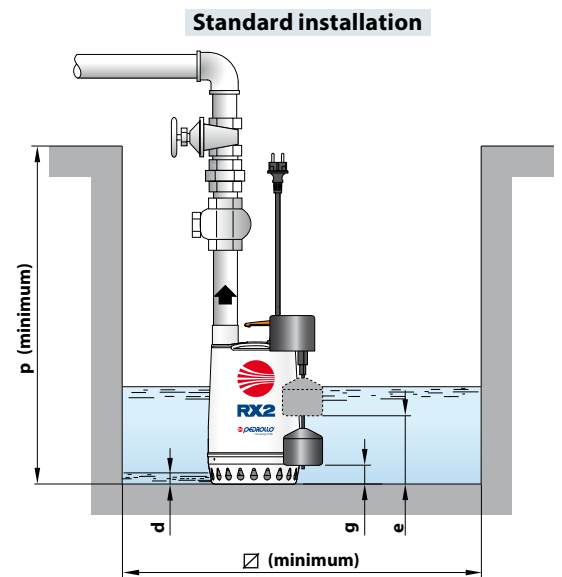
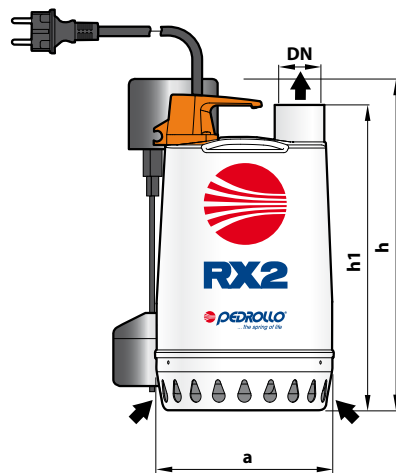


## DIMENSIONS AND WEIGHT



MODEL		PORT DN	DIMENSIONS mm							kg		PALLETIZATION	
Single-phase	Three-phase		a	h	h1	d	e	p	Ø	1~	3~	GROUPAGE n. pumps	CONTAINER n. pumps
RXm 1	RX 1	1 1/4"	147	255	247	14	variable	350	350	5.8	5.5	96	144
RXm 2	RX 2			285	277					5.8	5.5		
RXm 3	RX 3			285	277					7.2	7.2		

### Version with vertical float switch



MODEL		PORT DN	DIMENSIONS mm							kg		PALLETIZATION	
Single-phase	DN		a	h	h1	d	e	g	p	Ø	1~	GROUPAGE n. pumps	CONTAINER n. pumps
RXm 1-GM	1 1/4"	147	270	247	14	145	40	350	240	5.9	80	120	
RXm 2-GM										5.9			
RXm 3-GM										7.3			

## ABSORPTION

MODEL	VOLTAGE		
	220 V	110 V	127 V
Single-phase			
RXm 1	1.5 A	3.2 A	2.8 A
RXm 2	2.5 A	5.7 A	5.4 A
RXm 3	3.3 A	6.6 A	6.1 A

MODEL	VOLTAGE		
	220 V	380 V	440 V
Three-phase			
RX 1	1.6 A	0.9 A	0.8 A
RX 2	2.2 A	1.3 A	1.1 A
RX 3	2.8 A	1.6 A	1.4 A

# RX 4-5

## POS. COMPONENT

## CONSTRUCTION CHARACTERISTICS

1	<b>PUMP BODY</b>	Stainless steel AISI 304 with threaded port in compliance with ISO 228/1
2	<b>SUCTION FILTER</b>	Stainless steel AISI 304
3	<b>DIFFUSER</b>	Stainless steel AISI 304
4	<b>IMPELLER</b>	Stainless steel AISI 304
5	<b>MOTOR CASING</b>	Stainless steel AISI 304
6	<b>MOTOR CASING PLATE</b>	Stainless steel AISI 304
7	<b>MOTOR SHAFT</b>	Stainless steel EN 10088-3 - 1.4104

### 8 SHAFT WITH DOUBLE MECHANICAL SEAL SEPARATED BY AN OIL CHAMBER

Seal Model	Shaft Diameter	Position	Materials		
			Stationary ring	Rotational ring	Elastomer
MG1-14D SIC	Ø 14 mm	Motor side	Silicon carbide	Graphite	NBR
		Pump side	Silicon carbide	Silicon carbide	NBR

### 9 BEARINGS 6203 ZZ-C3E / 6203 ZZ-C3E

### 10 CAPACITOR

Pump Single-phase	Capacitance	
	(220 V)	(110 V or 127 V)
<b>RXm 4</b>	20 µF - 450 VL	30 µF - 250 VL
<b>RXm 5</b>	25 µF - 450 VL	-

### 11 ELECTRIC MOTOR

**RXm:** single-phase 220 V - 60 Hz  
with thermal overload protector incorporated into the winding

**RX:** three-phase 380 V - 60 Hz

- Insulation: class F
- Protection: IP X8

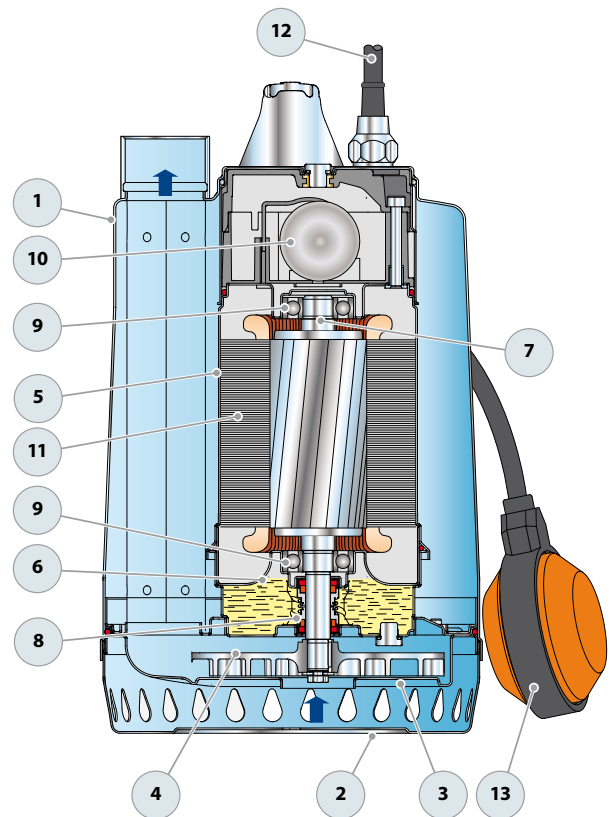
### 12 POWER CABLE

"H07 RN-F" type  
(with Schuko plug for single-phase versions only)

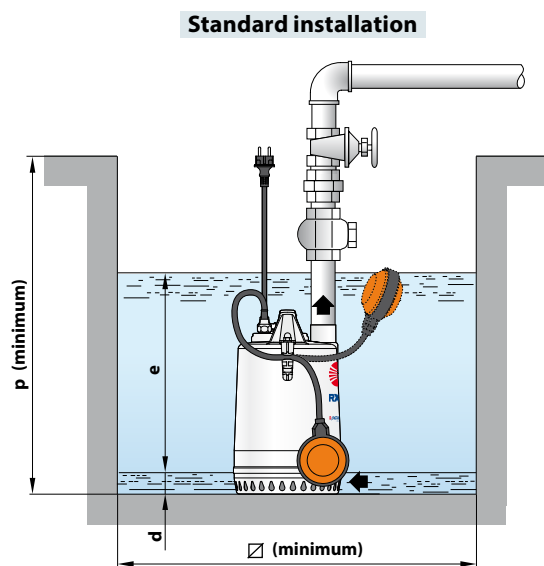
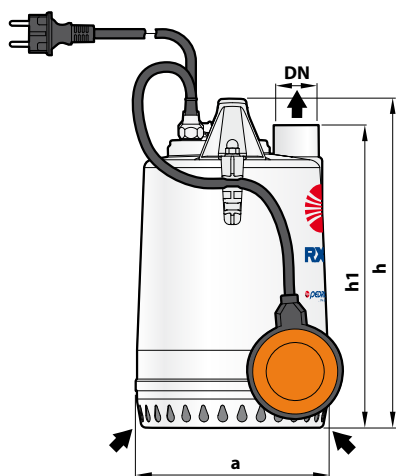
**Standard length 10 metres**

### 13 FLOAT SWITCH

Only for single-phase versions  
(Vertical float switch in the GM versions).

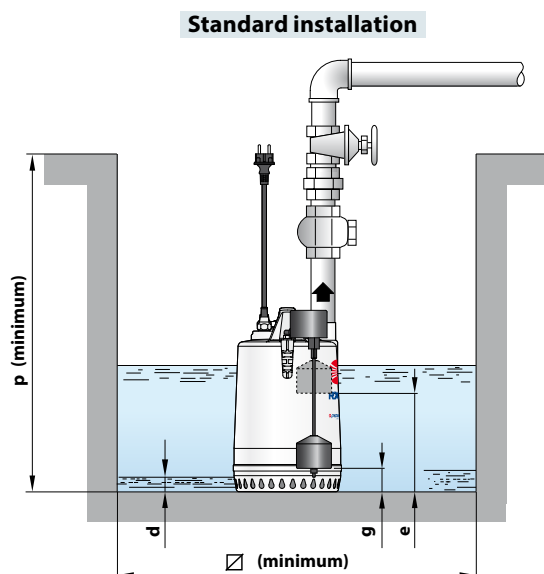
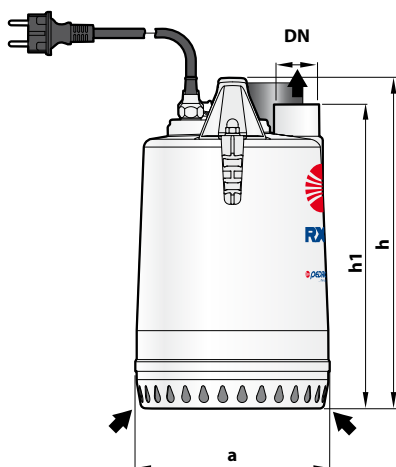


## DIMENSIONS AND WEIGHT



MODEL		PORT DN	DIMENSIONS mm							kg		PALLETIZATION	
Single-phase	Three-phase		a	h	h1	d	e	p	Ø	1~	3~	GROUPAGE n. pumps	CONTAINER n. pumps
RXm 4	RX 4	1½"	220	367	336	25	variable	500	500	12.7	11.9	45	60
RXm 5	RX 5									13.7	12.7		

### Version with vertical float switch



MODEL	PORT DN	DIMENSIONS mm								kg		PALLETIZATION	
		a	h	h1	d	e	g	p	Ø	1~	GROUPAGE n. pumps	CONTAINER n. pumps	
RXm 4 - GM	1½"	220	367	336	25	250	50	500	300	14.0	36	48	
RXm 5 - GM										15.0			36

## ABSORPTION

MODEL	VOLTAGE		
	220 V	110 V	127 V
Single-phase			
RXm 4	5.9 A	11.8 A	11.0 A
RXm 5	7.7 A	-	-

MODEL	VOLTAGE		
	220 V	380 V	440 V
Three-phase			
RX 4	4.3 A	2.5 A	2.2 A
RX 5	6.1 A	3.5 A	3.3 A