

Self-priming "JET" pumps

-  Clean water
-  Domestic use
-  Civil use
-  Industrial use



PERFORMANCE RANGE

- Flow rate up to **160 l/min** (9.6 m³/h)
- Head up to **96 m**

APPLICATION LIMITS

- Manometric suction lift up to **9 m** (HS)
- Liquid temperature between **-10 °C** and **+40 °C**
- Ambient temperature up to **+40 °C**
- Max. working pressure **10 bar**
- Continuous service **S1**

CONSTRUCTION AND SAFETY STANDARDS

EN 60335-1
IEC 60335-1
CEI 61-150

EN 60034-1
IEC 60034-1
CEI 2-3



CERTIFICATIONS

Company with management system certified DNV
ISO 9001: QUALITY
ISO 14001: ENVIRONMENT

INSTALLATION AND USE

Suitable for use with clean water and with liquids that are not chemically aggressive towards the materials from which the pump is made. The self-priming **JSW** pumps are designed to pump water even in cases where air is present. Because of their reliability and the fact that they are easy to use, they are recommended for use in domestic, civil and industrial applications such as the distribution of water in combination with pressure tanks, and for the irrigation of gardens and orchards, etc. The pump should be installed in an enclosed environment or sheltered from inclement weather.

PATENTS - TRADE MARKS - MODELS

- Registered Trade Mark n. 013073135 JSW[®]
- Registered EU Design n. 002218610

OPTIONS AVAILABLE ON REQUEST

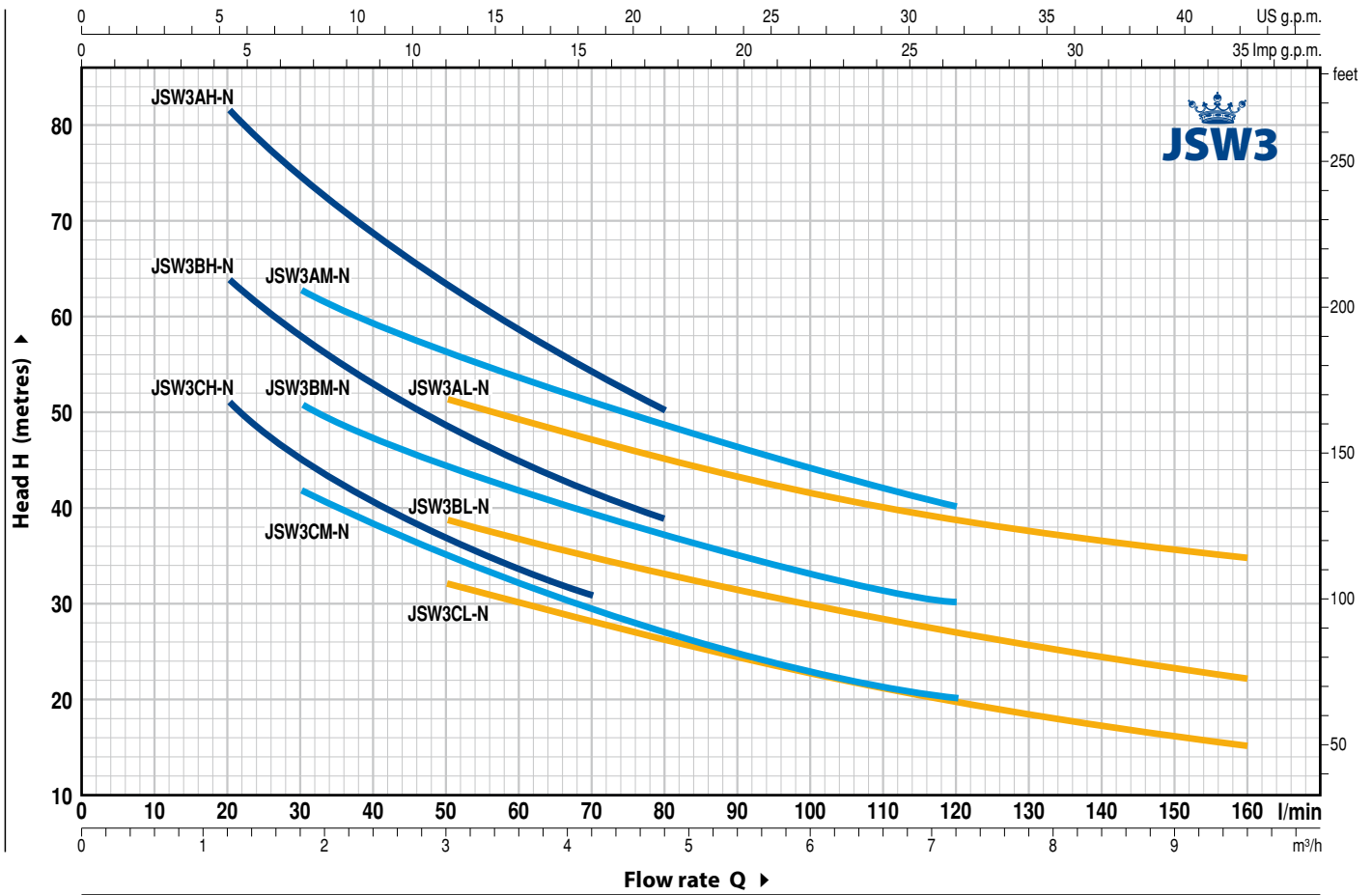
- Pump body with NPT ANSI B 1.20.1 threaded ports
- Other voltages
- IPX5 protection

GUARANTEE

2 years subject to terms and conditions

CHARACTERISTIC CURVES AND PERFORMANCE DATA

60 Hz n= 3450 rpm HS= 0 m



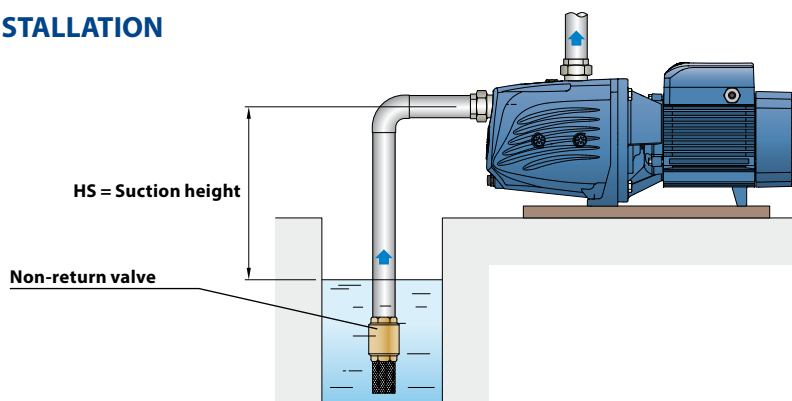
MODEL		POWER (P ₂)		▲	Q	Flow rate (l/min)																		
Single-phase	Three-phase	kW	HP			0	10	15	20	25	30	35	40	45	50	60	70	80	100	120	140	160		
JSWm 3CH -N	JSW 3CH -N	1.1	1.5	IE2	H metres	64	60	55	51	48	45	42.5	40	39	37	34	31							
JSWm 3BH -N	JSW 3BH -N	1.5	2	IE3		76	70	67	64	61	58	55.5	53	51	49	45	41	39						
JSWm 3AH -N	JSW 3AH -N	2.2	3			96	90	86	82	79	75	71.5	69	66	64	58	54	50						
JSWm 3CM -N	JSW 3CM -N	1.1	1.5	IE2		52	50	48	45	44	42	40	38	37	35	32	29	27	23	20				
JSWm 3BM -N	JSW 3BM -N	1.5	2	IE3		60	58	56	54	52	51	49	47	46	45	42	39	37	33	30				
JSWm 3AM -N	JSW 3AM -N	2.2	3			74	70	68	67	65	63	61	59	58	56	54	51	49	44	40				
JSWm 3CL -N	JSW 3CL -N	1.1	1.5	IE2		42	40	39	38	37	36	35	34	33	32	30	28	26	23	20	17	15		
JSWm 3BL -N	JSW 3BL -N	1.5	2	IE3		51	48	46	45	44	43	42	41	40	39	37	35	33	30	27	24	22		
JSWm 3AL -N	JSW 3AL -N	2.2	3			62	60	58	57	56	55	54	53	52	51	49	47	45	42	39	36.5	35		

Q = Flow rate H = Total manometric head HS = Suction height

Tolerance of characteristic curves in compliance with EN ISO 9906 Grade 3B.

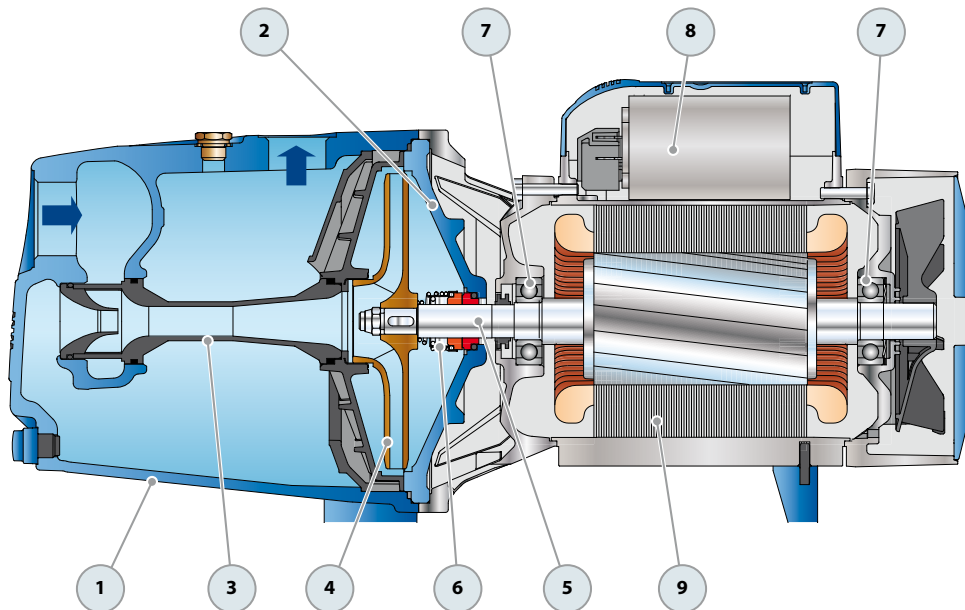
▲ Performance class of the three-phase motor (IEC-60034-30)

STANDARD INSTALLATION

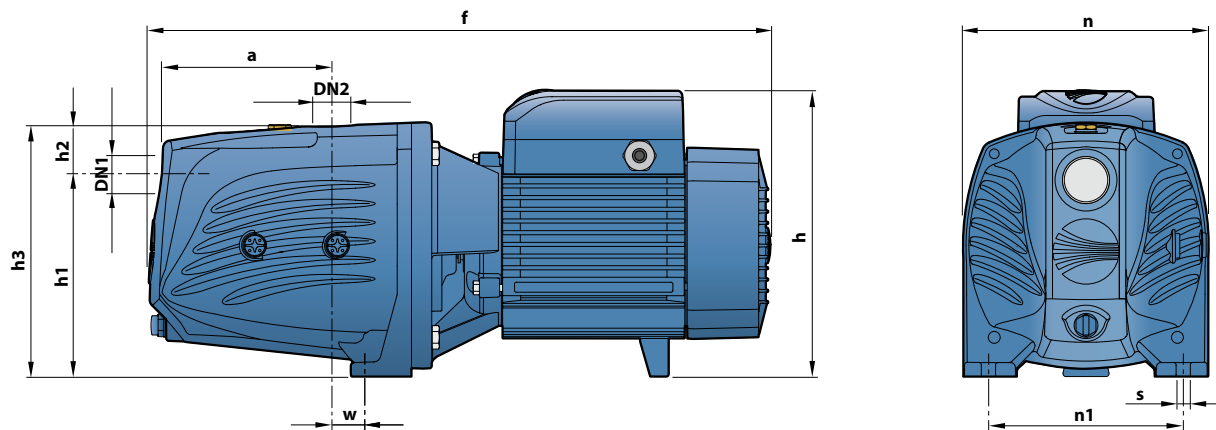


POS. COMPONENT CONSTRUCTION CHARACTERISTICS

1	PUMP BODY	Cast iron with an Epoxy Electro Coating treatment, with threaded ports in compliance with ISO 228/1				
2	BODY BACKPLATE	Cast iron				
3	NOZZLE ASSEMBLY	Noryl FE1520PW				
4	IMPELLER	Brass				
5	MOTOR SHAFT	Stainless steel EN 10088-3 - 1.4104				
6	MECHANICAL SEAL	<i>Seal</i>	<i>Shaft</i>	<i>Materials</i>		
		<i>Model</i>	<i>Diameter</i>	<i>Stationary ring</i>	<i>Rotational ring</i>	<i>Elastomer</i>
		FN-18	Ø 18 mm	Graphite	Ceramic	NBR
7	BEARINGS	6204 ZZ / 6204 ZZ				
8	CAPACITOR	<i>Pump</i>	<i>Capacitance</i>			
		<i>Single-phase</i>	<i>(220 V)</i>	<i>(110 V or 127 V)</i>		
		JSWm 3C-N	31,5 µF - 450 VL	60 µF - 250 VL		
		JSWm 3B-N	45 µF - 450 VL	80 µF - 250 VL		
		JSWm 3A-N	50 µF - 450 VL	-		
9	ELECTRIC MOTOR	<p>JSWm: single-phase 220 V - 60 Hz with thermal overload protector incorporated into the winding. JSW: three-phase 220/380 V - 60 Hz or 220/440 V - 60 Hz.</p> <p>⇒ The three-phase pumps are fitted with high performance motors up to P2=1.1kW in class IE2 and from P2=1.5kW in class IE3 (IEC 60034-30)</p> <ul style="list-style-type: none"> - Insulation: class F - Protection: IP X4 				



DIMENSIONS AND WEIGHT



MODEL		PORTS		DIMENSIONS mm										kg	
Single-phase	Three-phase	DN1	DN2	a	f	h	h1	h2	h3	n	n1	w	s	1~	3~
JSWm 3CH -N	JSW 3CH -N	1¼"	1"	141.5	522	241	165	44	209	206	164	30	11	25.3	23.3
JSWm 3BH -N	JSW 3BH -N				26.5									25.5	
JSWm 3AH -N	JSW 3AH -N				29.3									26.8	
JSWm 3CM -N	JSW 3CM -N				552/522									25.3	23.3
JSWm 3BM -N	JSW 3BM -N				522									26.5	25.5
JSWm 3AM -N	JSW 3AM -N				552/522									29.3	26.8
JSWm 3CL -N	JSW 3CL -N				522									25.3	23.3
JSWm 3BL -N	JSW 3BL -N				522									26.5	25.5
JSWm 3AL -N	JSW 3AL -N				552/522									29.3	26.8

ABSORPTION

MODEL	VOLTAGE		
Single-phase	220 V	110 V	127 V
JSWm 3CH -N	8.0 A	16.0 A	15.0 A
JSWm 3BH -N	9.7 A	19.5 A	18.5 A
JSWm 3AH -N	14.5 A	-	-
JSWm 3CM -N	7.9 A	15.8 A	14.9 A
JSWm 3BM -N	10.0 A	20.0 A	18.5 A
JSWm 3AM -N	14.5 A	-	-
JSWm 3CL -N	7.7 A	15.4 A	14.5 A
JSWm 3BL -N	10.2 A	20.4 A	18.7 A
JSWm 3AL -N	14.5 A	-	-

MODEL	VOLTAGE			
Three-phase	220 V	380 V	220 V	440 V
JSW 3CH -N	5.5 A	3.2 A	5.3 A	3.1 A
JSW 3BH -N	6.9 A	4.0 A	7.5 A	4.5 A
JSW 3AH -N	8.3 A	4.8 A	9.0 A	5.4 A
JSW 3CM -N	6.0 A	3.5 A	5.8 A	4.6 A
JSW 3BM -N	7.3 A	4.2 A	7.5 A	4.5 A
JSW 3AM -N	10.0 A	5.8 A	9.5 A	5.5 A
JSW 3CL -N	5.7 A	3.3 A	5.5 A	3.2 A
JSW 3BL -N	7.6 A	4.4 A	7.5 A	4.5 A
JSW 3AL -N	9.3 A	5.4 A	9.0 A	5.2 A

PALLETIZATION

MODEL		GROUPAGE	CONTAINER
Single-phase	Three-phase	n. pumps	n. pumps
JSWm 3CH -N	JSW 3CH -N	35	49
JSWm 3BH -N	JSW 3BH -N	35	49
JSWm 3AH -N	-	30	42
-	JSW 3AH -N	35	49
JSWm 3CM -N	JSW 3CM -N	35	49
JSWm 3BM -N	JSW 3BM -N	35	49
JSWm 3AM -N	-	30	42
-	JSW 3AM -N	35	49
JSWm 3CL -N	JSW 3CL -N	35	49
JSWm 3BL -N	JSW 3BL -N	35	49
JSWm 3AL -N	-	30	42
-	JSW 3AL -N	35	49