

Self-priming "JET" pumps

-  Clean water
-  Domestic use
-  Civil use



PERFORMANCE RANGE

- Flow rate up to **70 l/min** (4.2 m³/h)
- Head up to **58 m**

APPLICATION LIMITS

- Manometric suction lift up to **9 m** (HS)
- Liquid temperature between **-10 °C** and **+40 °C**
- Ambient temperature up to **+40 °C**
- Max. working pressure **6 bar**
- Continuous service **S1**

CONSTRUCTION AND SAFETY STANDARDS

EN 60335-1
IEC 60335-1
CEI 61-150

EN 60034-1
IEC 60034-1
CEI 2-3



CERTIFICATIONS

Company with management system certified DNV
ISO 9001: QUALITY
ISO 14001: ENVIRONMENT

INSTALLATION AND USE

Suitable for use with clean water and liquids that are not chemically aggressive towards the materials from which the pump is made. The self-priming **JSW** pumps are designed to pump water even in cases where air is present. Because of their reliability and the fact that they are easy to use, they are recommended for use in domestic applications such as the distribution of water in combination with small or medium sized pressure tanks, and for the irrigation of gardens and orchards, etc. The pump should be installed in an enclosed environment or sheltered from inclement weather.

PATENTS - TRADE MARKS - MODELS

- Registered Trade Mark n. 013073135 JSW[®]
- Registered EU Design n. 002218610-0002
- European Patent n. 1 510 696

OPTIONS AVAILABLE ON REQUEST

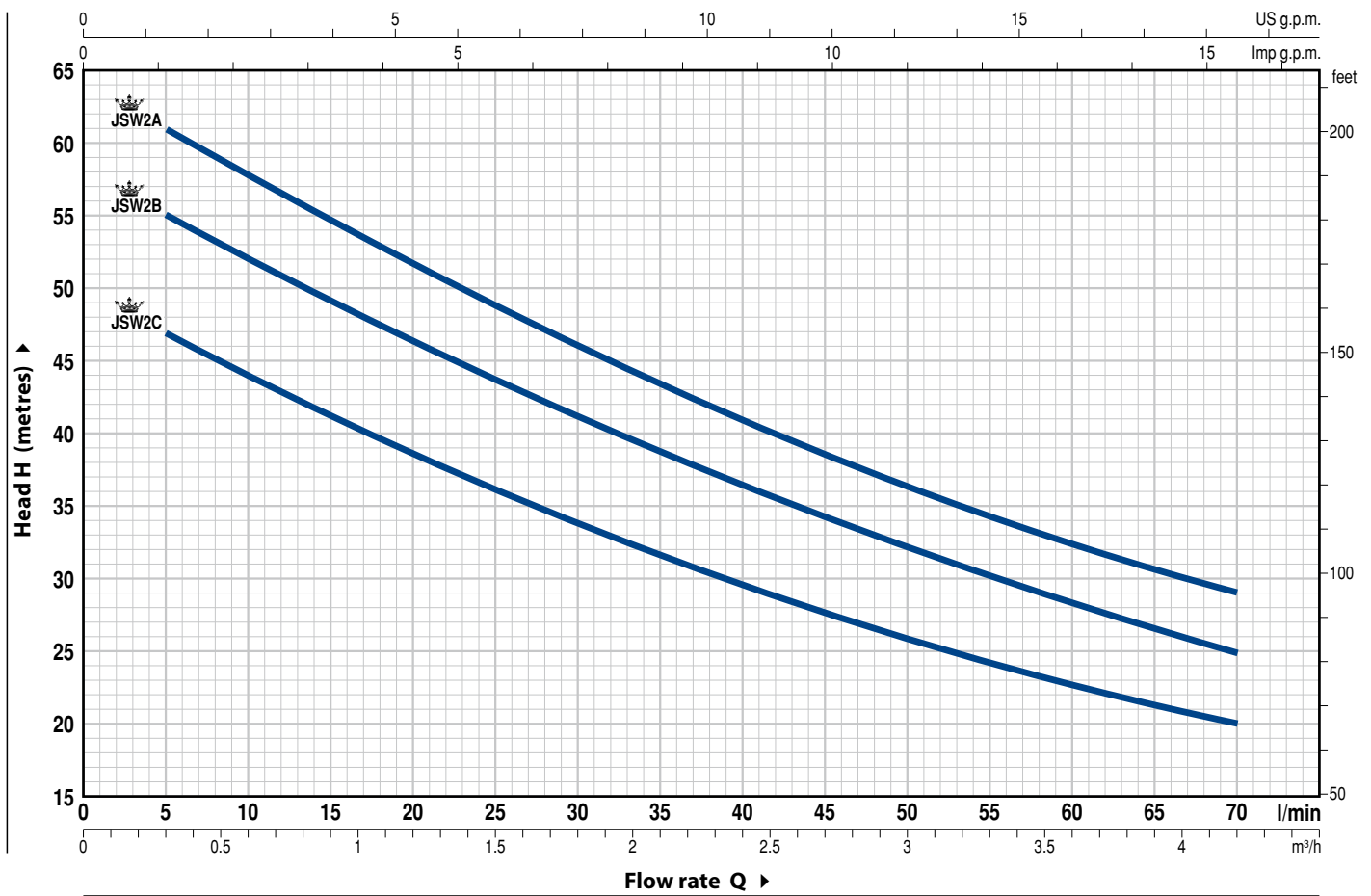
- Pump body with NPT ANSI B 1.20.1 threaded ports
- Other voltages
- Pumps with technopolymer impeller

GUARANTEE

2 years subject to terms and conditions

CHARACTERISTIC CURVES AND PERFORMANCE DATA

60 Hz n= 3450 rpm HS= 0 m

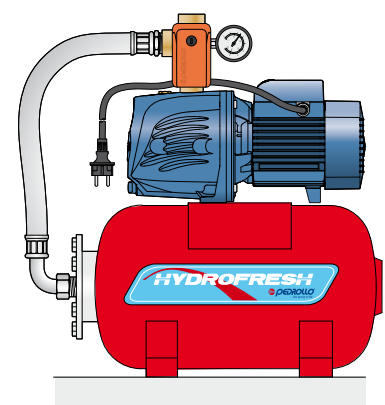
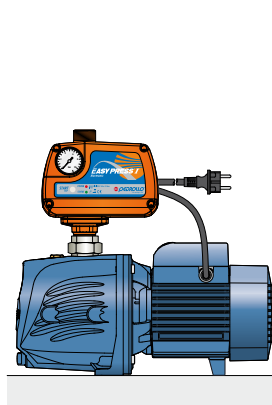
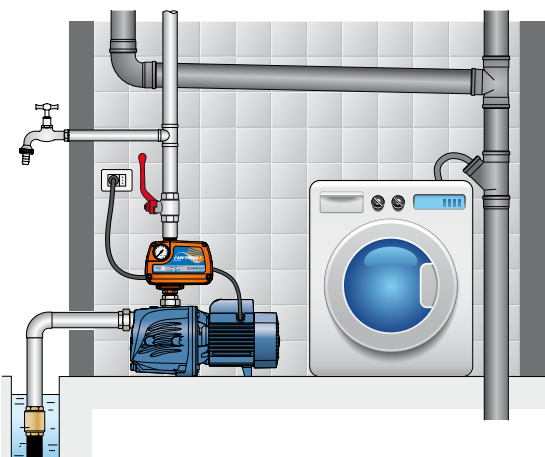


| MODEL | | POWER (P ₂) | | Q | Flow rate | | | | | | | | | | | | | |
|--------------|-------------|-------------------------|------|----------|-------------------|----|------|------|------|-----|------|------|-----|------|-----|-----|--|--|
| Single-phase | Three-phase | kW | HP | | m ³ /h | 0 | 0.3 | 0.6 | 1.2 | 1.5 | 1.8 | 2.4 | 2.7 | 3.0 | 3.6 | 4.2 | | |
| | | | | l/min | 0 | 5 | 10 | 20 | 25 | 30 | 40 | 45 | 50 | 60 | 70 | | | |
| JSWm 2C | JSW 2C | 0.75 | 1 | H metres | 50 | 47 | 44 | 38.5 | 36 | 34 | 29.5 | 27.5 | 26 | 22.5 | 20 | | | |
| JSWm 2B | JSW 2B | 0.90 | 1.25 | | 58 | 55 | 52 | 46.5 | 43.5 | 41 | 36.5 | 34 | 32 | 28 | 25 | | | |
| JSWm 2A | JSW 2A | 1.1 | 1.5 | | 64 | 61 | 57.5 | 51.5 | 49 | 46 | 41 | 38.5 | 36 | 32 | 29 | | | |

Q = Flow rate H = Total manometric head HS = Suction height

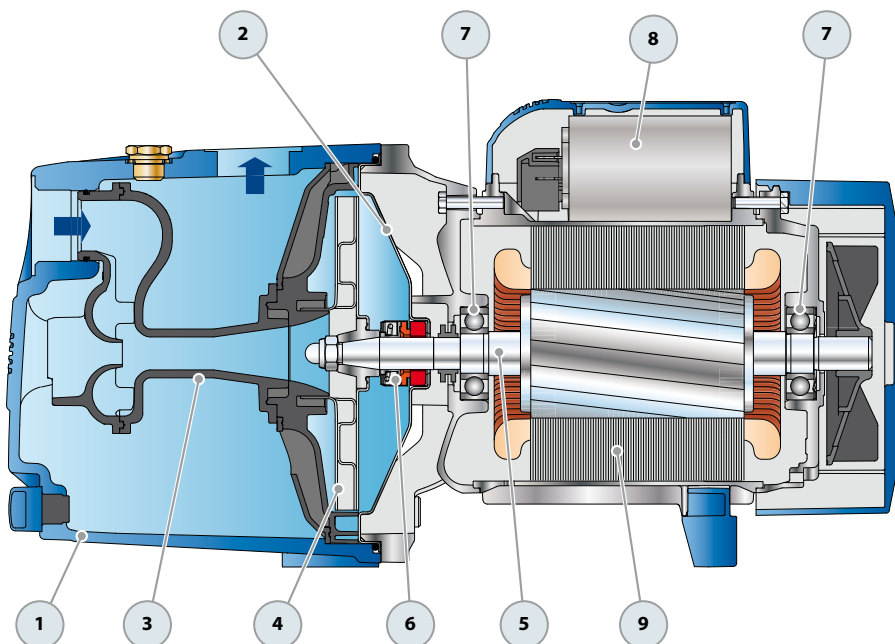
Tolerance of characteristic curves in compliance with EN ISO 9906 Grade 3B.

STANDARD INSTALLATION

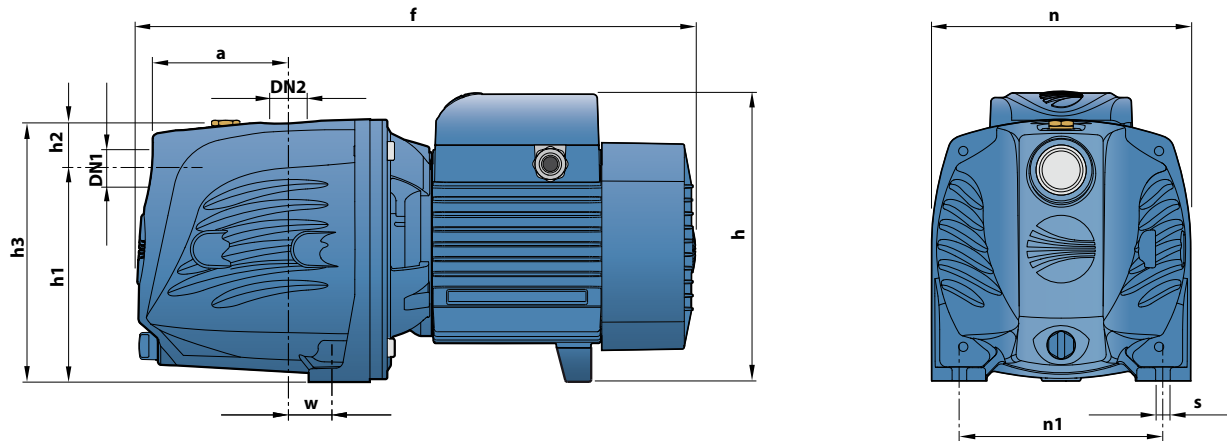


POS. COMPONENT CONSTRUCTION CHARACTERISTICS

| | | | | | | |
|---|------------------------|---|----------------------------|-------------------------|------------------------|------------------|
| 1 | PUMP BODY | Cast iron complete with threaded ports in compliance with ISO 228/1 | | | | |
| 2 | BODY BACKPLATE | Stainless steel AISI 304 | | | | |
| 3 | NOZZLE ASSEMBLY | Noryl FE1520PW | | | | |
| 4 | IMPELLER | Stainless steel AISI 304 | | | | |
| 5 | MOTOR SHAFT | Stainless steel EN 10088-3 - 1.4104 | | | | |
| 6 | MECHANICAL SEAL | <i>Seal Model</i> | <i>Shaft Diameter</i> | <i>Stationary ring</i> | <i>Rotational ring</i> | <i>Elastomer</i> |
| | | AR-14 | Ø 14 mm | Ceramic | Graphite | NBR |
| 7 | BEARINGS | 6203 ZZ / 6203 ZZ | | | | |
| 8 | CAPACITOR | <i>Pump Single-phase</i> | <i>Capacitance (220 V)</i> | <i>(110 V or 127 V)</i> | | |
| | | JSWm 2C | 20 µF - 450 VL | 60 µF - 300 VL | | |
| | | JSWm 2B | 25 µF - 450 VL | 60 µF - 300 VL | | |
| | | JSWm 2A | 25 µF - 450 VL | 60 µF - 300 VL | | |
| 9 | ELECTRIC MOTOR | <p>JSWm: single-phase 220 V - 60 Hz with thermal overload protector incorporated into the winding. JSW: three-phase 220/380 V - 60 Hz or 220/440 V - 60 Hz.</p> <p>➔ The three-phase pumps are fitted with high performance motors in class IE2 (IEC 60034-30)</p> <ul style="list-style-type: none"> - Insulation: class F - Protection: IP X4 | | | | |



DIMENSIONS AND WEIGHT



| MODEL | | PORTS | | DIMENSIONS mm | | | | | | | | | | kg | |
|--------------|-------------|-------|-----|---------------|-----|-------|-----|----|-----|-----|-----|----|----|------|------|
| Single-phase | Three-phase | DN1 | DN2 | a | f | h | h1 | h2 | h3 | n | n1 | w | s | 1~ | 3~ |
| JSWm 2C | JSW 2C | | | | | | | | | | | | | 13.0 | 13.0 |
| JSWm 2B | JSW 2B | 1" | 1" | 96 | 388 | 201 * | 147 | 33 | 180 | 180 | 142 | 22 | 10 | 14.0 | 14.0 |
| JSWm 2A | JSW 2A | | | | | | | | | | | | | 14.2 | 14.2 |

(*) h=220 mm for single phase versions at 110V or 127 V

ABSORPTION

| MODEL | VOLTAGE | | |
|--------------|---------|--------|--------|
| | 220 V | 110 V | 127 V |
| Single-phase | | | |
| JSWm 2C | 5.0 A | 10.0 A | 9.0 A |
| JSWm 2B | 6.7 A | 13.4 A | 12.2 A |
| JSWm 2A | 6.9 A | 13.8 A | 12.9 A |

| MODEL | VOLTAGE | | | |
|-------------|---------|-------|-------|-------|
| | 220 V | 380 V | 220 V | 440 V |
| Three-phase | | | | |
| JSW 2C | 3.8 A | 2.2 A | 3.6 A | 2.0 A |
| JSW 2B | 5.3 A | 3.0 A | 5.0 A | 2.8 A |
| JSW 2A | 5.8 A | 3.3 A | 5.5 A | 3.1 A |

PALLETIZATION

| MODEL | | GROUPAGE | CONTAINER |
|--------------|-------------|----------|-----------|
| Single-phase | Three-phase | n. pumps | n. pumps |
| JSWm 2C | JSW 2C | 72 | 96 |
| JSWm 2B | JSW 2B | 72 | 96 |
| JSWm 2A | JSW 2A | 72 | 96 |